



The Mobile Elevated Work Platforms

E-FACTOR



The unique solution partner for MEWPs

We design and manufacture
drive and motion solutions
for Mobile Elevated Work Platforms



The unique solution partner for MEWPs

- The best solutions
- Excellent, reliable solutions
- Extended multi-technology solutions portfolio
- Best engineering capabilities
- A reliable partner close to the customer



The unique solution partner for MEWPs

Dana designs and manufactures a **complete range** of **best-in-class drive** and **motion products** for Mobile Elevated Work Platforms (MEWPs). Expertise, global reach, and systems know-how will support the manufacture's needs **world wide** with dedicated and **customized solutions**.

The best solutions

- Excellent, reliable solutions
- Extended multi-technology solutions portfolio
- Best engineering capabilities
- A reliable partner close to the customer



The unique solution partner for MEWP

Thanks to **excellent quality products** manufactured with high Dana standards, we offer **highly engineered solutions** which are tailored, flexible, and reliable to cover all types, sizes, technologies of **articulated, telescopic booms** and **scissor lifts, conventional and electrified.**

- The best solutions

Excellent, reliable solutions

- Extended multi-technology solutions portfolio

- Best engineering capabilities

- A reliable partner close to the customer



The unique solution partner for MEWP

Dana is the **unique provider** which can supply a complete **broader class solutions portfolio** for MEWP, featuring **Spicer Torque-Hub™** combined with electric or hydraulic motor and **Brevini® B5VR** as added value combination with **axles and wheel drives**, **Brevini® electronic sensors**, **slew drives**, pump-motors, system pumps, proportional valves guaranteeing **best-in-class performances**.

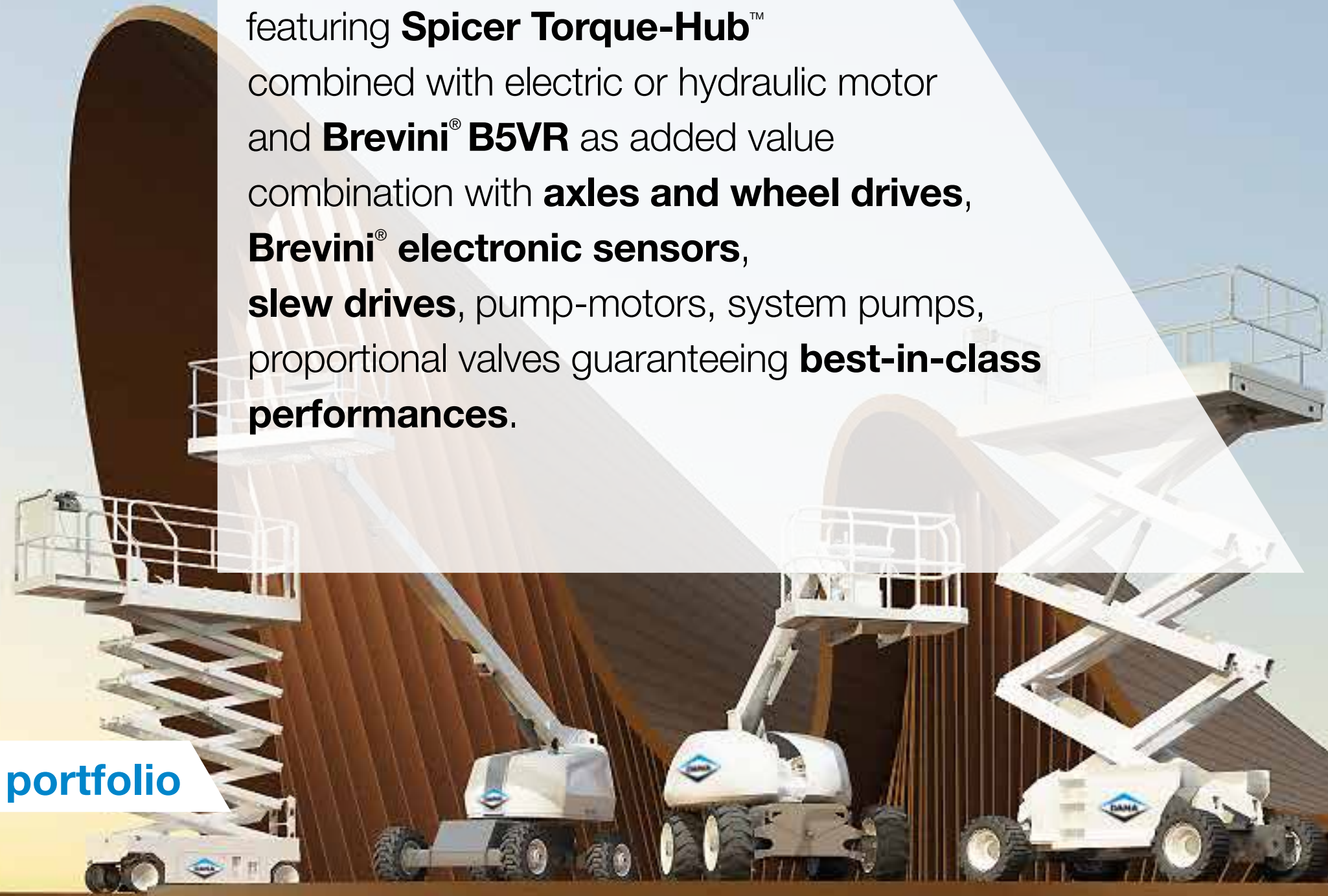
- The best solutions

- Excellent, reliable solutions

Extended multi-technology solutions portfolio

- Best engineering capabilities

- A reliable partner close to the customer



The unique solution partner for MEWP

- The best solutions
- Excellent, reliable solutions
- Extended multi-technology solutions portfolio

Best engineering capabilities

- A reliable partner close to the customer

Dana's **engineering** capabilities as the global technology leader in efficient power conveyance allows Dana to **customize the right solution** for MEWP, ensuring the maximum operational excellence. Thanks to its robust **certification process** while **developing products**, Dana can manufacture **different solutions, perform internal tests, and support first installation up to field validation of the product**. Dana has built its own experience on electrified solutions starting from vehicle transformation from conventional to electric version.



More than 30
drive and motion products
MEWP Demonstrator

The unique solution partner for MEWPs

As a single source **reliable partner**, Dana can **help optimize supply chains** to **serve the overall performance needs** of the customer. Dana's worldwide **capability** is able to guarantee the customer **localized region-specific support for all development phases anywhere in the world** from initial design engineering, localized manufacturing and assembly, all the way through to after-sale support.

- The best solutions
- Excellent, reliable solutions
- Extended multi-technology solutions portfolio
- Best engineering capabilities

A reliable partner close to the customer



Leading the driveline and propulsion evolution

Electrification. **Delivered.**[™]

Dana is able to partner with and support as a leading drivetrain and e-Propulsion technologies provider. To enable our customers to achieve their sustainability objectives, Dana has taken a leading position in MEWP electrification providing **solutions** at the highest level, as **Spicer Torque-Hub**[™] combined with **electric motor, e-Propulsion systems** and **electronic sensors**.



More than 30
drive and motion products

MEWP Demonstrator

Leading the driveline and propulsion evolution

Electrification. **Delivered.**[™]

- Fully integrated electrified systems for MEWP
- Total Cost of Ownership
- Emissions savings
- 50 years of expertise in electrification



More than 30
drive and motion products
MEWP Demonstrator

Leading the driveline and propulsion evolution

Electrification. **Delivered.**[™]

Dana's e-Hub drives for MEWPs features an **electro-mechanical configuration** in a compact package that includes enhanced gear geometries for quieter operation. Meanwhile, its power-dense motor design delivers high efficiency and best-in-class torque performance. Based on our customers' needs we can offer different solution in order to meet the requested performances which can be efficiency or cost or the best compromise between the two.

Fully integrated electrified systems for MEWP

- Total Cost of Ownership
- Emissions savings
- 50 years of expertise in electrification



More than 30
drive and motion products
MEWP Demonstrator

Leading the driveline and propulsion evolution

Electrification. **Delivered.**[™]

- Fully integrated electrified systems for MEWP

Total Cost of Ownership

- Emissions savings
- 50 years of expertise in electrification

Electrified solutions for Dana MEWPs make it possible to **streamline the driveline** and increase productivity.

Thanks to the internal permanent magnet motor efficiency, the battery range and overall **battery life** is extended in order to bring down the machine's total cost of ownership.



More than 30
drive and motion products
MEWP Demonstrator

Leading the driveline and propulsion evolution

Electrification. **Delivered.**[™]

- Fully integrated electrified systems for MEWP
- Total Cost of Ownership

Emissions savings

- 50 years of expertise in electrification

Electrification involves a **reduction of CO₂** emissions into the atmosphere, making an important contribution to the fight against climate change and global warming.



More than 30
drive and motion products
MEWP Demonstrator

Leading the driveline and propulsion evolution

Electrification. **Delivered.**[™]

- Fully integrated electrified systems for MEWP
- Total Cost of Ownership
- Emissions savings

50 years of expertise in electrification

Dana has been building **critical electrification** expertise, resources, and technologies for **more than 50 years.**

This past experience gives us the know-how necessary to address our customers' electrification needs both today and in the future.



More than 30
drive and motion products
MEWP Demonstrator

Electric-Driven MEWP Demonstrator



Dana High-Efficiency Electrified Mobile Elevator Working Platform with an 18-meter (60-foot) height is **a non-traditional four-wheel-drive [MEWP demonstrator](#)** designed to show the range and effectiveness of **Dana's e-Mobility capabilities**, featuring **more than 30 of Dana's drive and motion products** designed to enhance the **productivity**, mobility, and efficiency of electric-powered vehicles.



Full-System Solutions

Telescopic Boom

Articulated Boom

Slab Scissor

RT Scissor



Full-System Solutions

Telescopic Boom

Articulated Boom

Conventional

Electrified

Slab Scissor

RT Scissor



Articulated Boom

Conventional \ **Electrified**

4 Wheel Drives

Propelling machines with two or four individual compact wheel drives that combine Spicer Torque-Hub™ planetary gearboxes with Dana TM4™ electric motors to provide optimum traction control when working on a job site.

 **Discover**

Telescopic Boom

Slab Scissor

RT Scissor

Central Drive

By combining Spicer® axles and centralized high efficiency gearboxes with Dana TM4™ electric motors. Our axle solutions can deliver the tractive effort required while maintaining axle supported machine designs.

 **Discover**

Articulated Boom

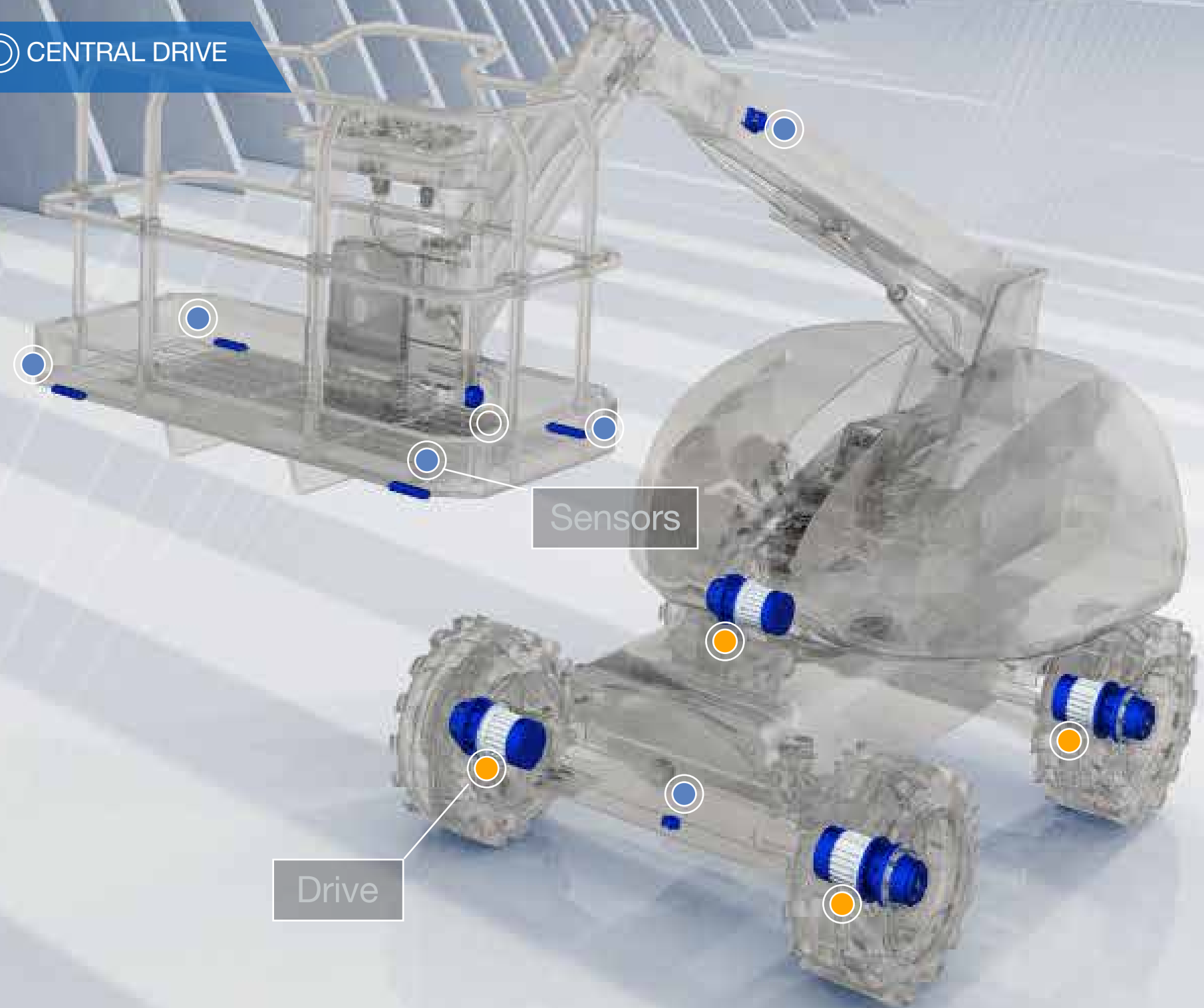
Telescopic Boom

Slab Scissor

RT Scissor

Conventional \ **Electrified**

4 WHEEL DRIVE CENTRAL DRIVE



An electro-mechanical system solution for [drive](#), with electronic [sensors](#), for greater efficiency with less size and weight and long-life performance.

Articulated Boom

Telescopic Boom

Slab Scissor

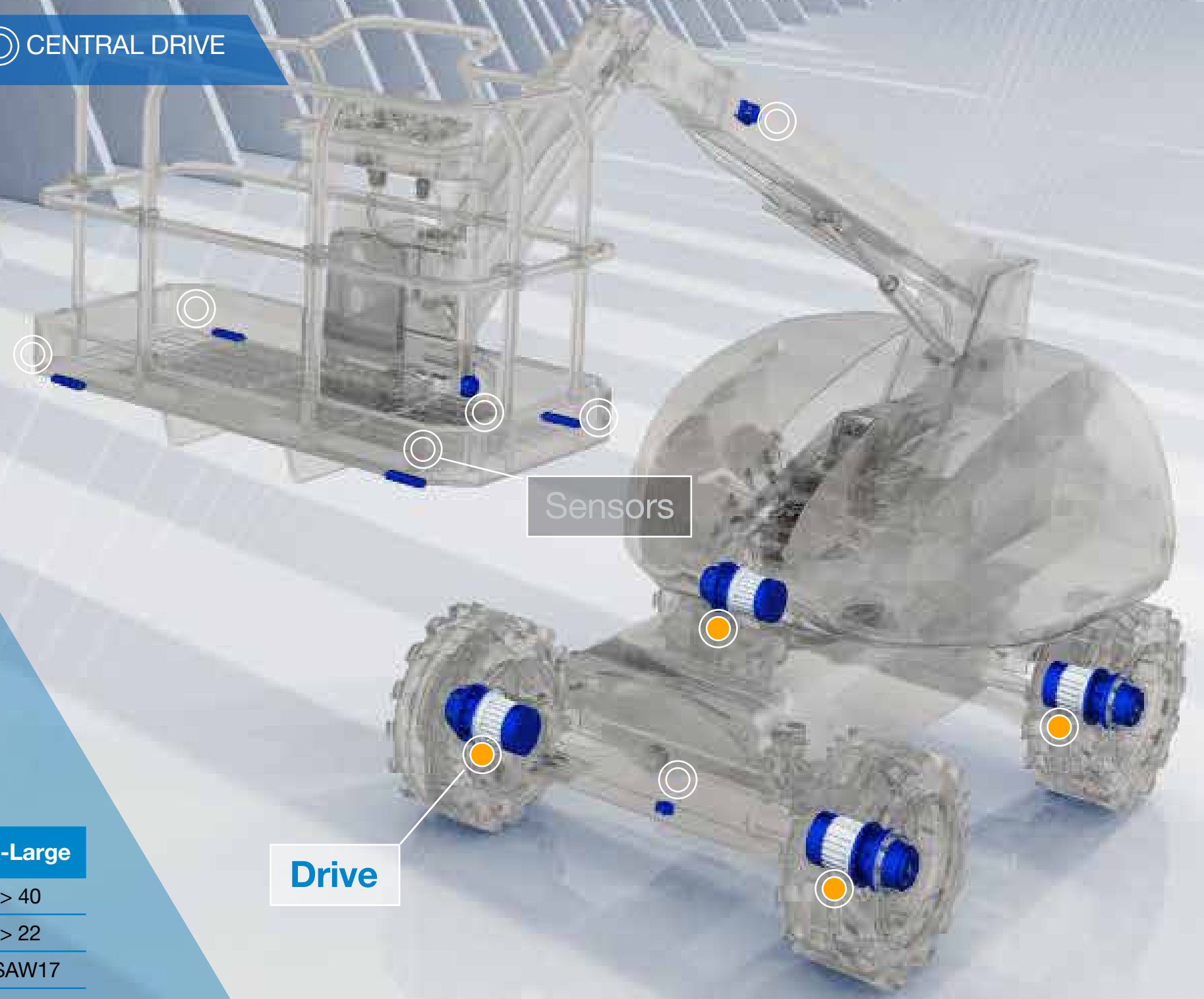
RT Scissor

Conventional \ **Electrified**

4 WHEEL DRIVE CENTRAL DRIVE

Drive \ Sensors

Spicer Electrified™
e-Drive Torque Hub eS-AW Series



Sensors

Drive

Platform Size	Small	Medium	Large	X-Large	XX-Large
Working Height [m]	9 to 16	18 to 21	22 to 30	32 to 40	> 40
Working Weight [ton]	up to 8	8 to 12	12 to 17	17 to 22	> 22
e-Drive Torque Hub	eSAW04	eSAW07	eSAW13	eSAW13	eSAW17
Dana TM4™	200-33	200-50	200-50	200-50	TBD



Articulated Boom

Telescopic Boom

Slab Scissor

RT Scissor

Conventional \ **Electrified**

4 WHEEL DRIVE

CENTRAL DRIVE

Drive \ Sensors

Key features and benefits

- 4 sizes with torque outputs from 4kNm to 17kNm engineered to fulfill industry targets for performance, serviceability and durability
- Improves the performance of e-boom lifts with hybrid and fully electric drive systems
- Fully integrated electro-mechanical system
- Internal integrated electric parking brake design for maximum holding power

Platform Size	Small	Medium	Large	X-Large	XX-Large
Working Height [m]	9 to 16	18 to 21	22 to 30	32 to 40	> 40
Working Weight [ton]	up to 8	8 to 12	12 to 17	17 to 22	> 22
e-Drive Torque Hub	eSAW04	eSAW07	eSAW13	eSAW13	eSAW17
Dana TM4™	200-33	200-50	200-50	200-50	TBD



Articulated Boom

Telescopic Boom

Slab Scissor

RT Scissor

Conventional \ **Electrified**

4 WHEEL DRIVE

CENTRAL DRIVE

Drive \ Sensors

Key features and benefits

- Dana TM4™ IPM and ACIM Integrated advanced motor technologies for greater efficiency with compact size and weight
- Compact three-stage planetary gear design provides superior gradeability
- IP67 motor protection from environmental hazards
- Integrated motor options for design flexibility

Platform Size	Small	Medium	Large	X-Large	XX-Large
Working Height [m]	9 to 16	18 to 21	22 to 30	32 to 40	> 40
Working Weight [ton]	up to 8	8 to 12	12 to 17	17 to 22	> 22
e-Drive Torque Hub	eSAW04	eSAW07	eSAW13	eSAW13	eSAW17
Dana TM4™	200-33	200-50	200-50	200-50	TBD



Articulated Boom

Telescopic Boom

Slab Scissor

RT Scissor

Conventional \ **Electrified**

4 WHEEL DRIVE CENTRAL DRIVE

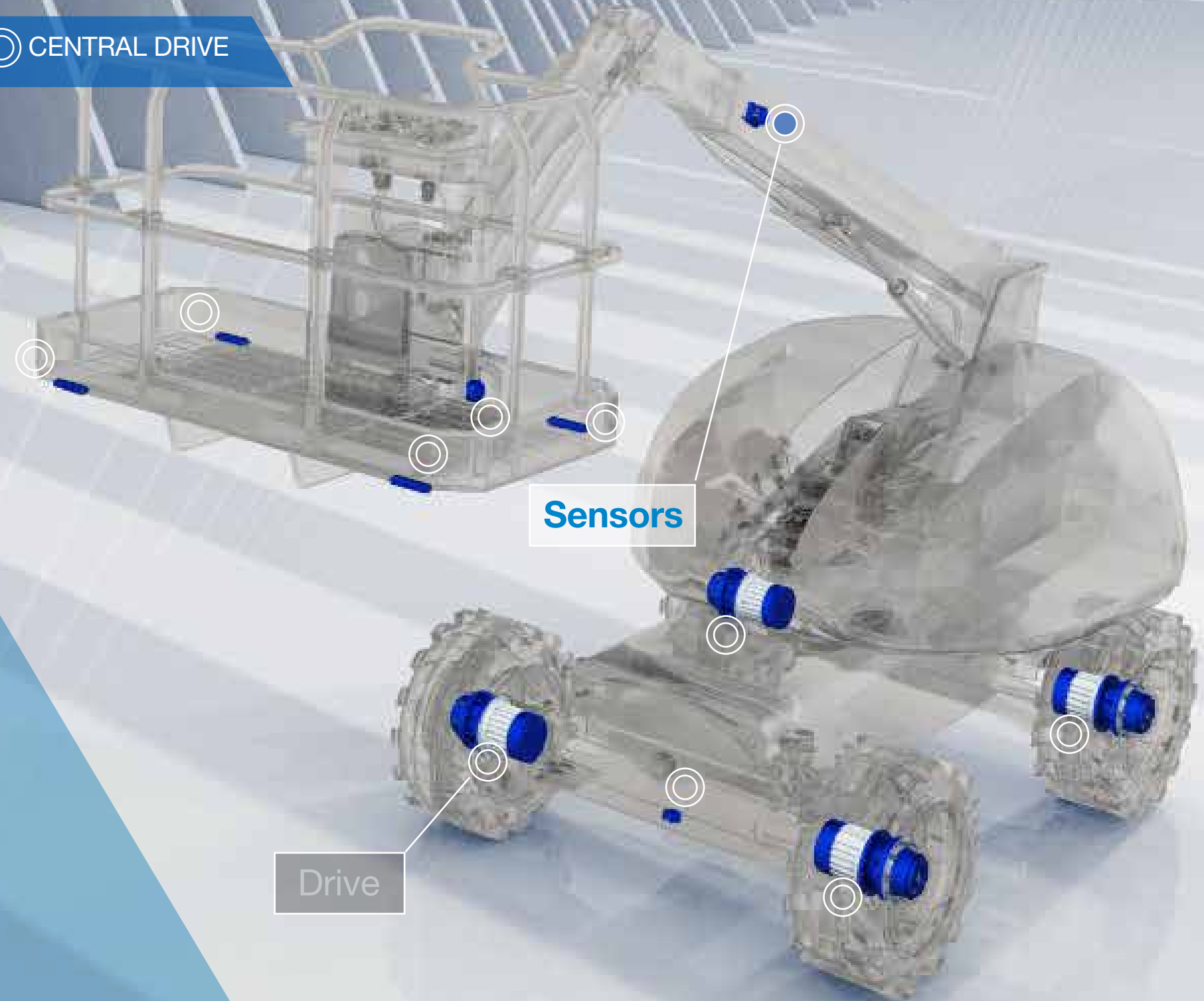
Drive \ Sensors

Brevini® electronic sensors
Boom Extension Transducer



Key features and benefits

- Waterproof robust and compact body
- 1 or 2 axis integrated inclinometer available
- Dual\redundant outputs available for PLd EN13849 safety systems
- Length up to 12.5 meter



Articulated Boom

Telescopic Boom

Slab Scissor

RT Scissor

Conventional \ **Electrified**

4 WHEEL DRIVE CENTRAL DRIVE

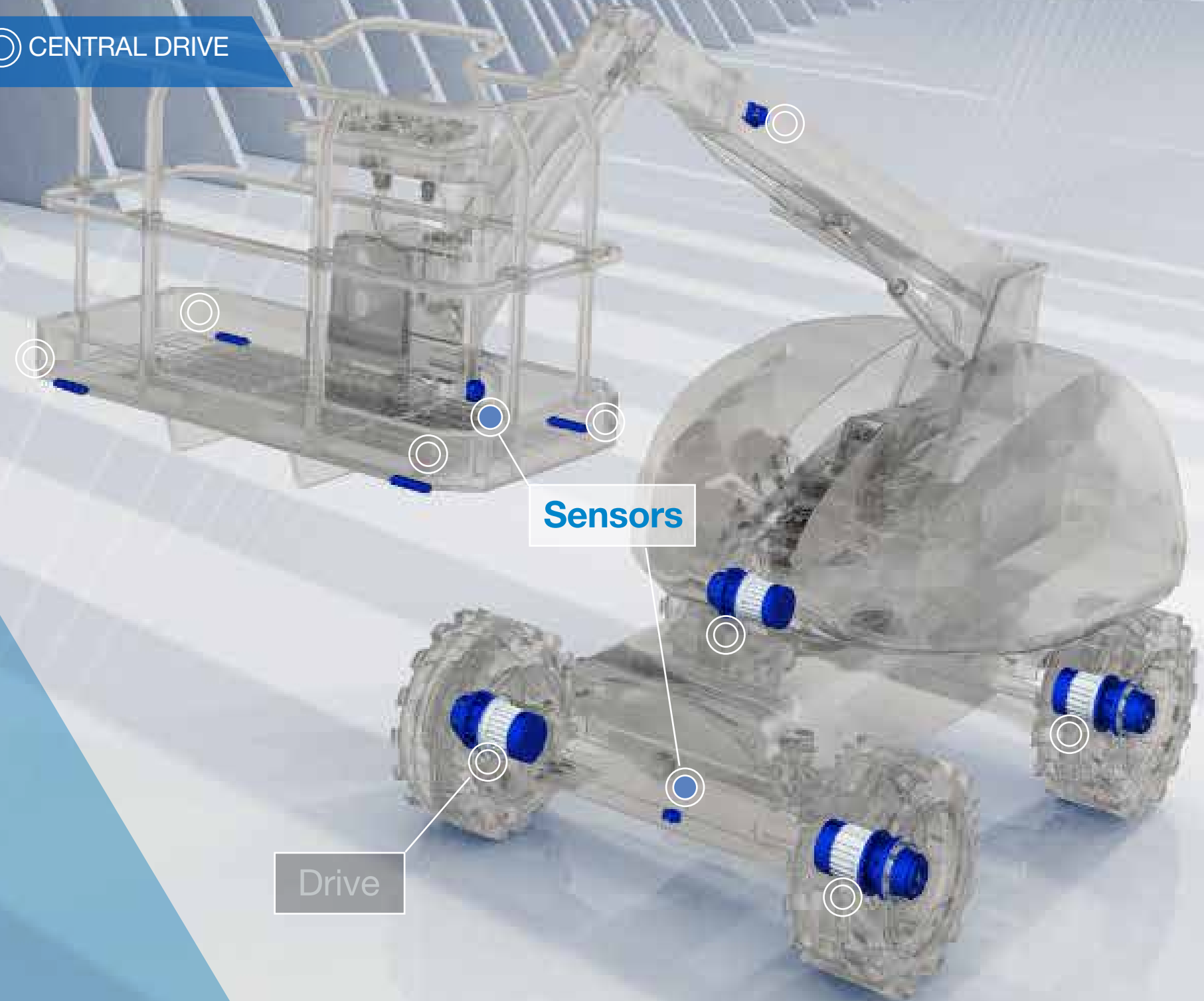
Drive \ Sensors

Brevini® electronic sensors
Digital Inclinometer



Key features and benefits

- Waterproof robust plastic body
- 1 or 2 axis measurement
- Dual\redundant outputs available for PLd EN13849 safety systems
- Optional thermal compensation available



Articulated Boom

Telescopic Boom

Slab Scissor

RT Scissor

Conventional \ **Electrified**

4 WHEEL DRIVE CENTRAL DRIVE

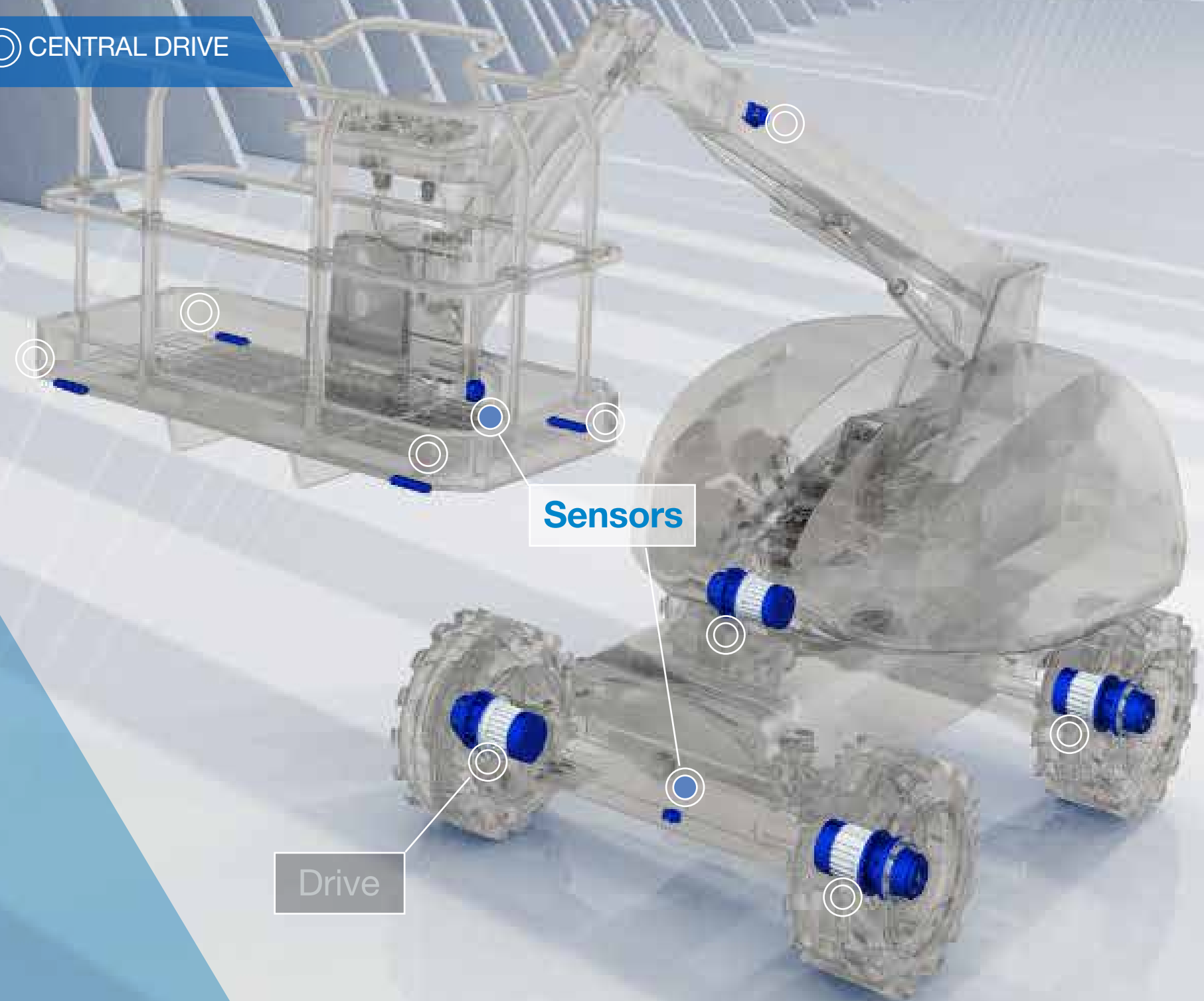
Drive \ Sensors

Brevini® electronic sensors
Digital Inclinator



Key features and benefits

- Customizable signal filtration
- Customizable hardness on demand



Articulated Boom

Telescopic Boom

Slab Scissor

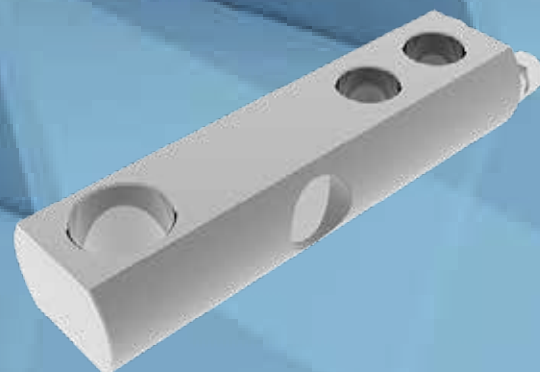
RT Scissor

Conventional \ **Electrified**

4 WHEEL DRIVE CENTRAL DRIVE

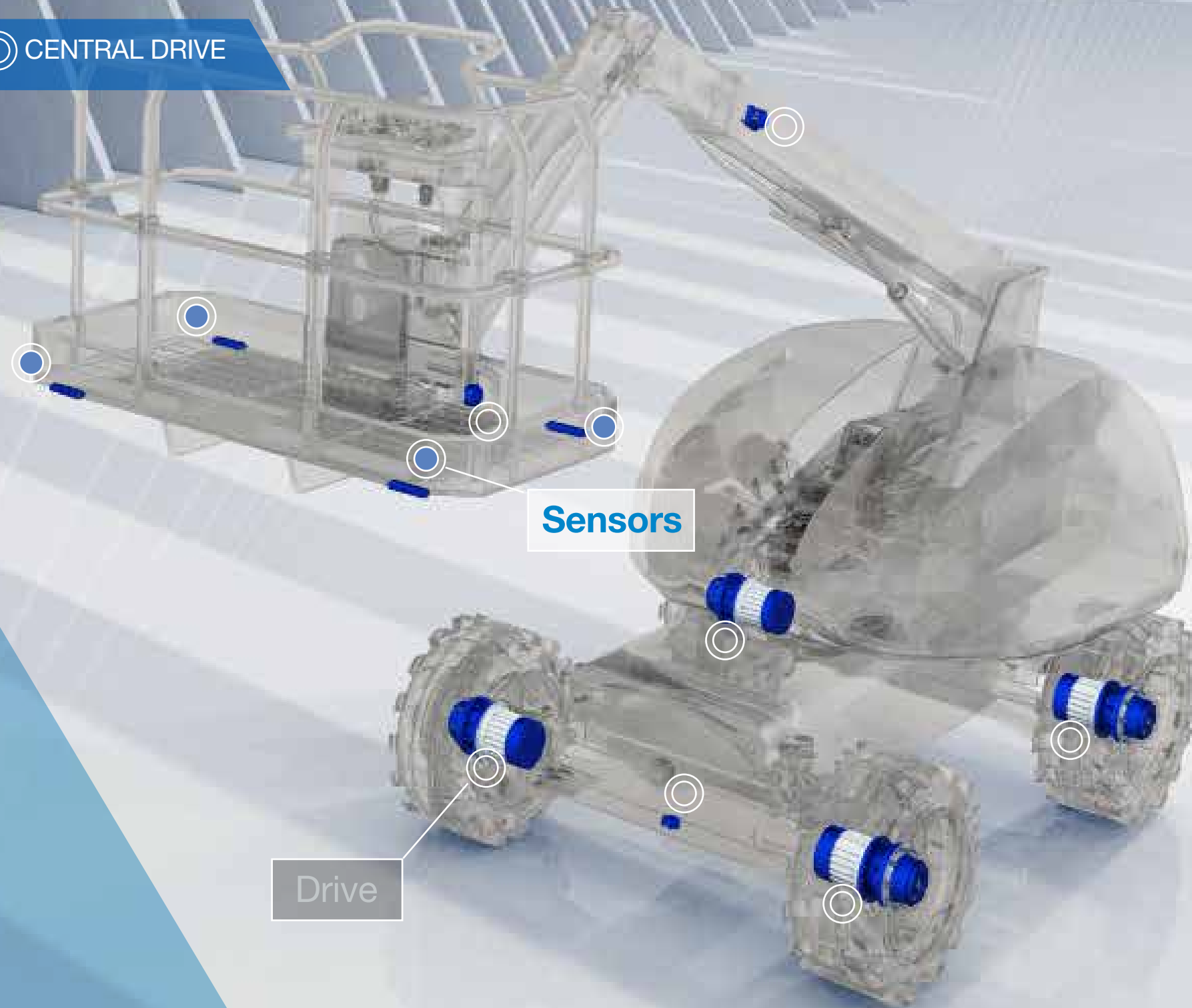
Drive \ Sensors

Brevini® electronic sensors
Load Sensor



Key features and benefits

- Waterproof robust and compact body
- Dual\Redundant output available for PLd EN13849 safety systems
- Optional thermal compensation available



Articulated Boom

Conventional \ Electrified

4 Wheel Drives

Propelling machines with two or four individual compact wheel drives that combine Spicer Torque-Hub™ planetary gearboxes with Brevini® B5VR hydraulic motors to provide optimum traction control when working on a job site.

 **Discover**

Telescopic Boom

Slab Scissor

RT Scissor

Central Drive

By combining Spicer® axles and centralized high efficiency gearboxes with Brevini® B5VR hydraulic motors. Our axle solutions can deliver the tractive effort required while maintaining axle supported machine designs.

 **Discover**

Articulated Boom

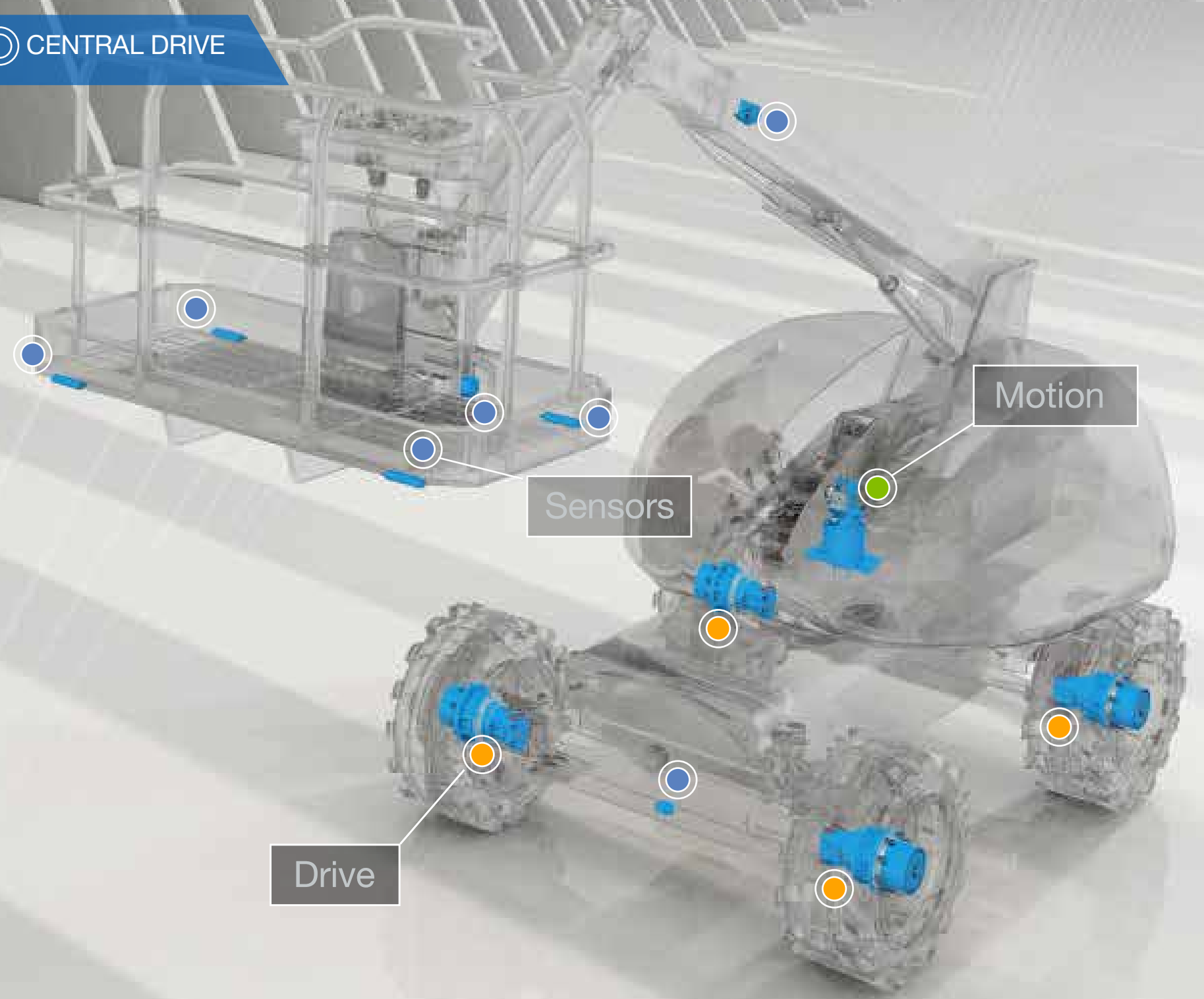
Telescopic Boom

Slab Scissor

RT Scissor

Conventional \ Electrified

4 WHEEL DRIVE CENTRAL DRIVE



A hydraulic system solution for [drive](#) and [motion](#), combined with electronic [sensors](#), for greater efficiency and performance.

Articulated Boom

Telescopic Boom

Slab Scissor

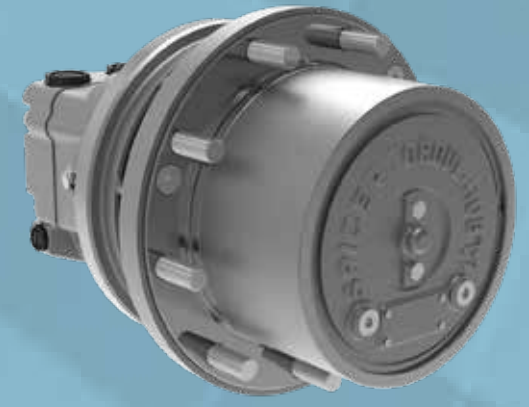
RT Scissor

Conventional \ Electrified

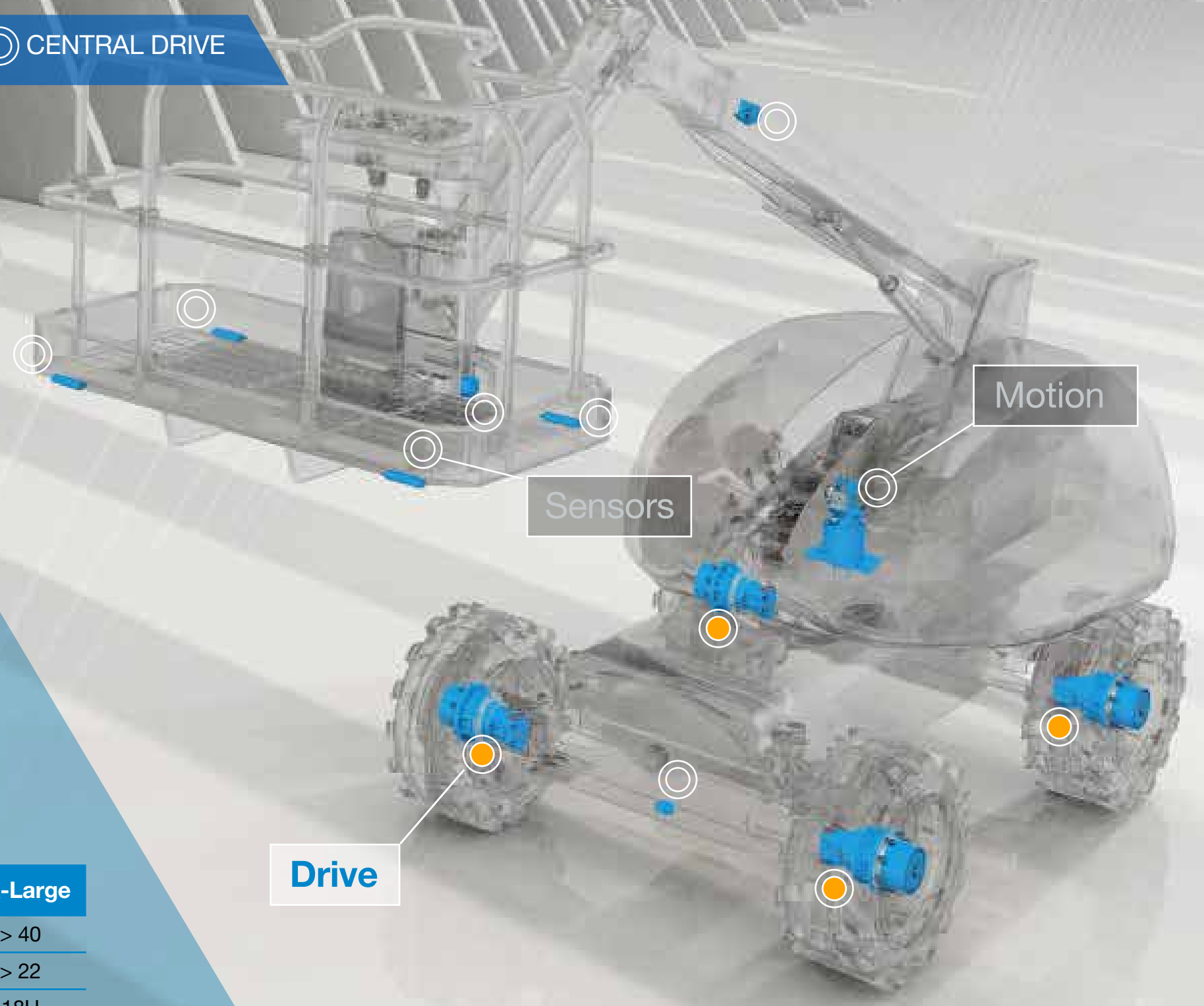
4 WHEEL DRIVE CENTRAL DRIVE

Drive \ Motion \ Sensors

Spicer Torque-Hub™
H Series Wheel Drive



Platform Size	Small	Medium	Large	X-Large	XX-Large
Working Height [m]	9 to 16	18 to 21	22 to 30	32 to 40	> 40
Working Weight [ton]	up to 8	8 to 12	12 to 17	17 to 22	> 22
Spicer Torque-Hub™	4H	7H	13H	18H	18H



Sensors

Motion

Drive

Articulated Boom

Telescopic Boom

Slab Scissor

RT Scissor

Conventional \ Electrified

4 WHEEL DRIVE

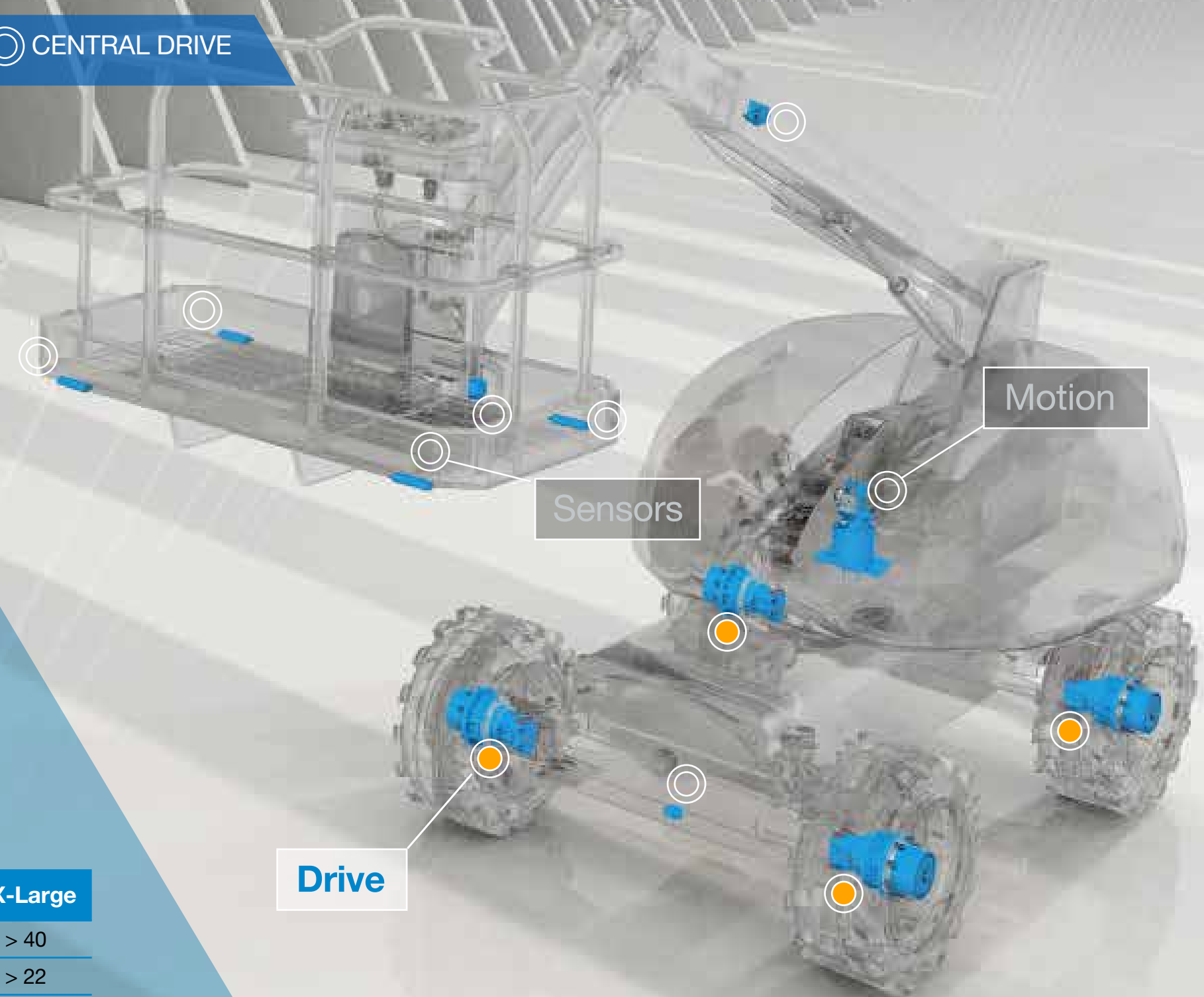
CENTRAL DRIVE

Drive \ Motion \ Sensors

Key features and benefits

- Product range engineered for best-in-class efficiency
- Torque ratings from 4kNm to 18kNm engineered to maximize efficiency and reliability
- Deliver exceptional maneuverability and proven robustness to final drive Pressure up to 420 bar
- Low maintenance requirements and easy to service

Platform Size	Small	Medium	Large	X-Large	XX-Large
Working Height [m]	9 to 16	18 to 21	22 to 30	32 to 40	> 40
Working Weight [ton]	up to 8	8 to 12	12 to 17	17 to 22	> 22
Spicer Torque-Hub™	4H	7H	13H	18H	18H



Articulated Boom

Telescopic Boom

Slab Scissor

RT Scissor

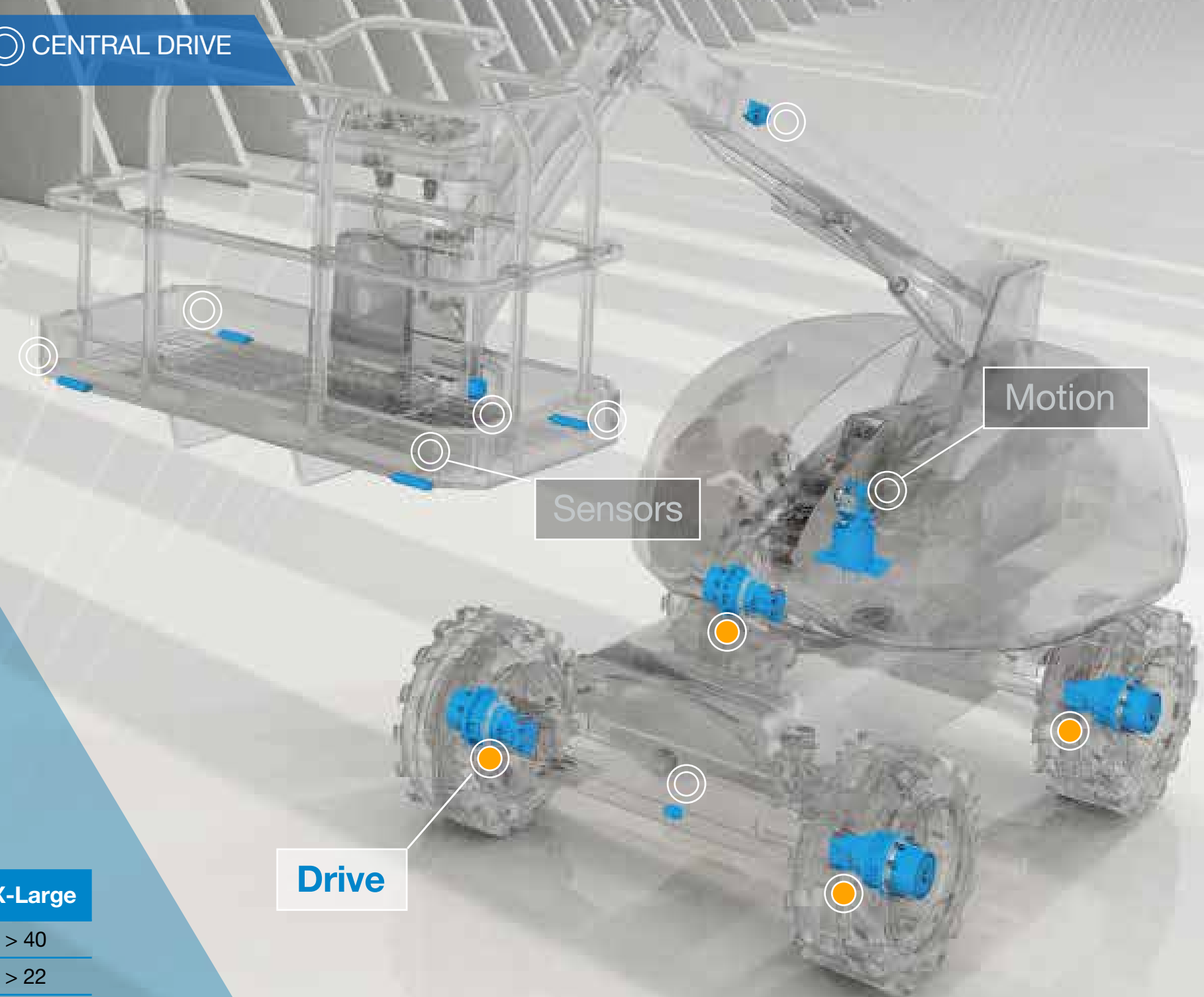
Conventional \ Electrified

4 WHEEL DRIVE CENTRAL DRIVE

Drive \ Motion \ Sensors

Key features and benefits

- Sealing system, hub and spindle designed for severe environmental conditions
- Integrated parking brake to meet safety standards
- Complete drive package with B5VR motor for smooth operations



Platform Size	Small	Medium	Large	X-Large	XX-Large
Working Height [m]	9 to 16	18 to 21	22 to 30	32 to 40	> 40
Working Weight [ton]	up to 8	8 to 12	12 to 17	17 to 22	> 22
Spicer Torque-Hub™	4H	7H	13H	18H	18H

Articulated Boom

Telescopic Boom

Slab Scissor

RT Scissor

Conventional \ Electrified

4 WHEEL DRIVE CENTRAL DRIVE

Drive \ Motion \ Sensors

Brevini® Hydraulic Motor
B5VR Series



Platform Size	Small	Medium	Large	X-Large	XX-Large
Working Height [m]	9 to 16	18 to 21	22 to 30	32 to 40	> 40
Working Weight [ton]	up to 8	8 to 12	12 to 17	17 to 22	> 22
Brevini® Hydraulic Motor	B5VR25*	B5VR30	B5VR35 B5VR38	B5VR45	B5VR45

* coming soon



Articulated Boom

Telescopic Boom

Slab Scissor

RT Scissor

Conventional \ Electrified

4 WHEEL DRIVE CENTRAL DRIVE

Drive \ Motion \ Sensors

Key features and benefits

- For closed and open loop circuits
- State-of-the-art 9-piston rotating kit

Designed for maximum efficiency
 ■ and smooth functioning

- Pressure up to 420 bar
- Twin rear and side ports

Platform Size	Small	Medium	Large	X-Large	XX-Large
Working Height [m]	9 to 16	18 to 21	22 to 30	32 to 40	> 40
Working Weight [ton]	up to 8	8 to 12	12 to 17	17 to 22	> 22
Brevini® Hydraulic Motor	B5VR25*	B5VR30	B5VR35 B5VR38	B5VR45	B5VR45

* coming soon



Articulated Boom

Telescopic Boom

Slab Scissor

RT Scissor

Conventional \ Electrified

4 WHEEL DRIVE CENTRAL DRIVE

Drive \ Motion \ Sensors

Key features and benefits

- Reduced max displacements available
- Multiple minimum displacement options including null displacement
- Speed sensor with null speed signal
- Embedded flushing valve for closed loop circuit

Platform Size	Small	Medium	Large	X-Large	XX-Large
Working Height [m]	9 to 16	18 to 21	22 to 30	32 to 40	> 40
Working Weight [ton]	up to 8	8 to 12	12 to 17	17 to 22	> 22
Brevini® Hydraulic Motor	B5VR25*	B5VR30	B5VR35 B5VR38	B5VR45	B5VR45

* coming soon



Articulated Boom

Telescopic Boom

Slab Scissor

RT Scissor

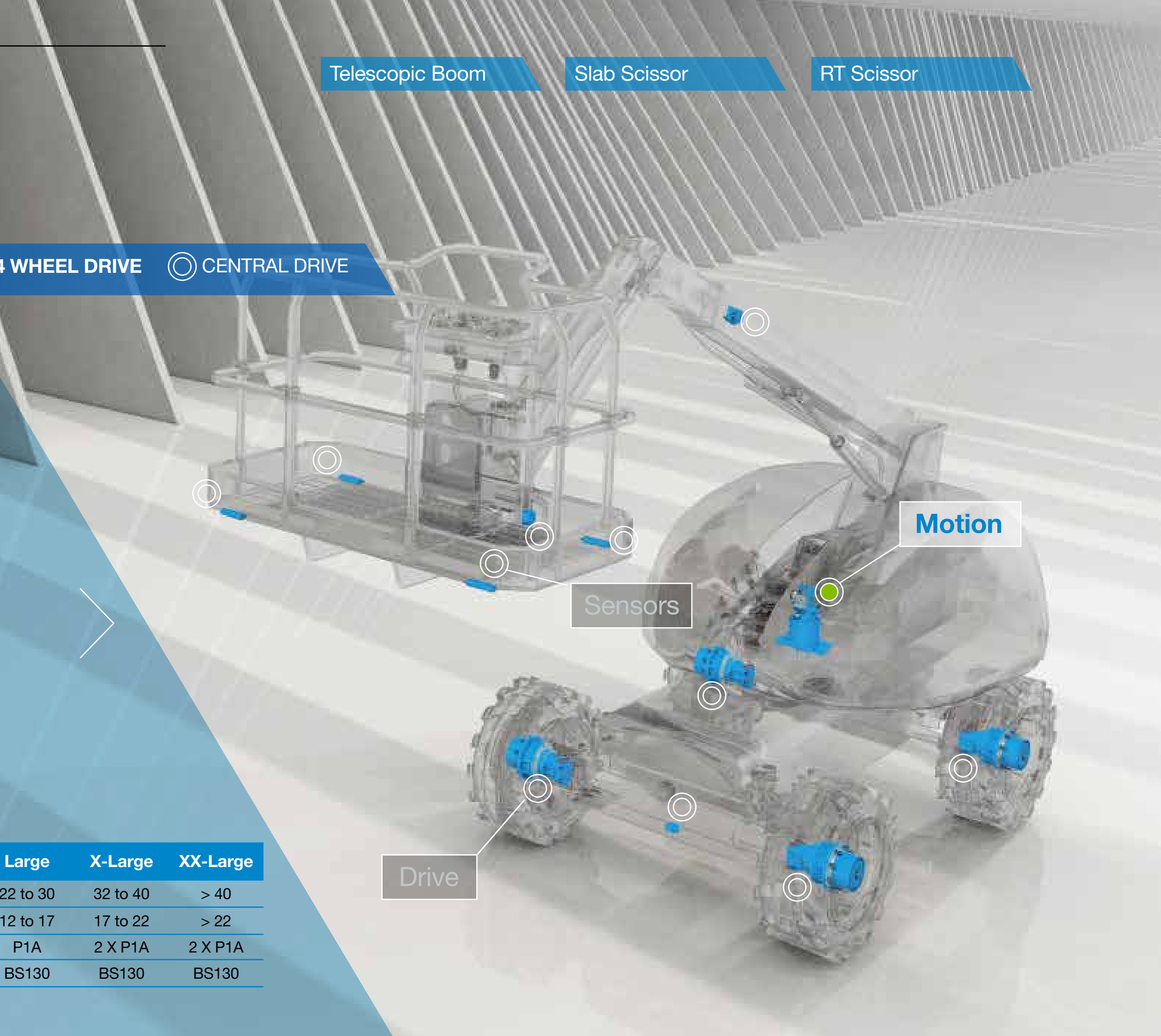
Conventional \ Electrified
 Drive \ Motion \ Sensors

4 WHEEL DRIVE CENTRAL DRIVE

Brevini® Slew Drive P Series
 with Brevini® Orbital Motor
 BS Series



Platform Size	Small	Medium	Large	X-Large	XX-Large
Working Height [m]	9 to 16	18 to 21	22 to 30	32 to 40	> 40
Working Weight [ton]	up to 8	8 to 12	12 to 17	17 to 22	> 22
Brevini® Slew Drive	Only motor	P1A	P1A	2 X P1A	2 X P1A
Brevini® Hydraulic Motor	BS130	BS130	BS130	BS130	BS130



Motion

Sensors

Drive

Articulated Boom

Telescopic Boom

Slab Scissor

RT Scissor

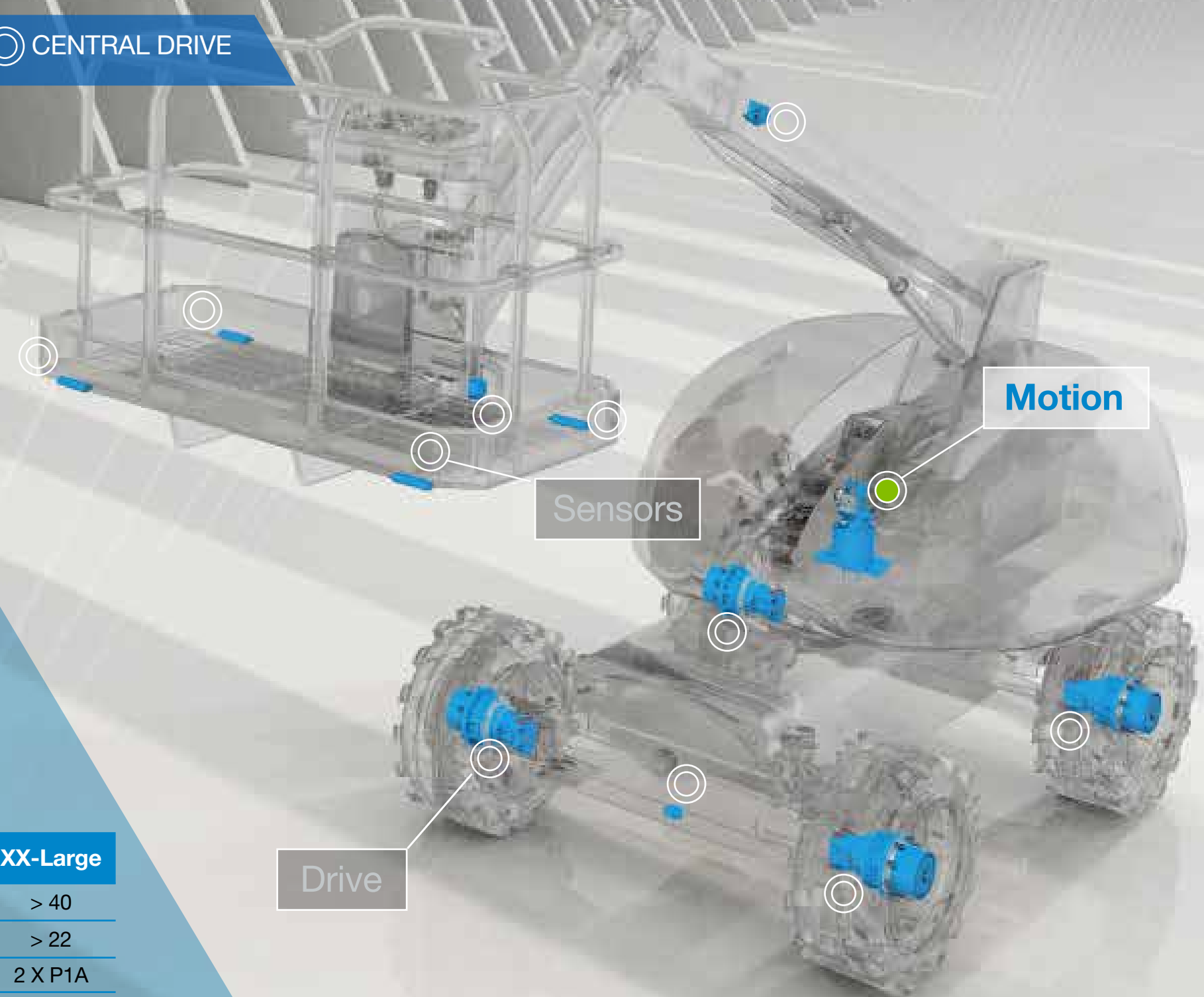
Conventional \ Electrified

4 WHEEL DRIVE CENTRAL DRIVE

Drive \ Motion \ Sensors

Key features and benefits

- Complete solution with hydraulic orbital motor BS Series offering all-in-one solution for slew drives
- Plug and play assembly complete with lifting lugs
- 2-stage reduction with multiple ratios available
- Many pinion options available, custom pinion upon request



Platform Size	Small	Medium	Large	X-Large	XX-Large
Working Height [m]	9 to 16	18 to 21	22 to 30	32 to 40	> 40
Working Weight [ton]	up to 8	8 to 12	12 to 17	17 to 22	> 22
Brevini® Slew Drive	Only motor	P1A	P1A	2 X P1A	2 X P1A
Brevini® Hydraulic Motor	BS130	BS130	BS130	BS130	BS130

Articulated Boom

Telescopic Boom

Slab Scissor

RT Scissor

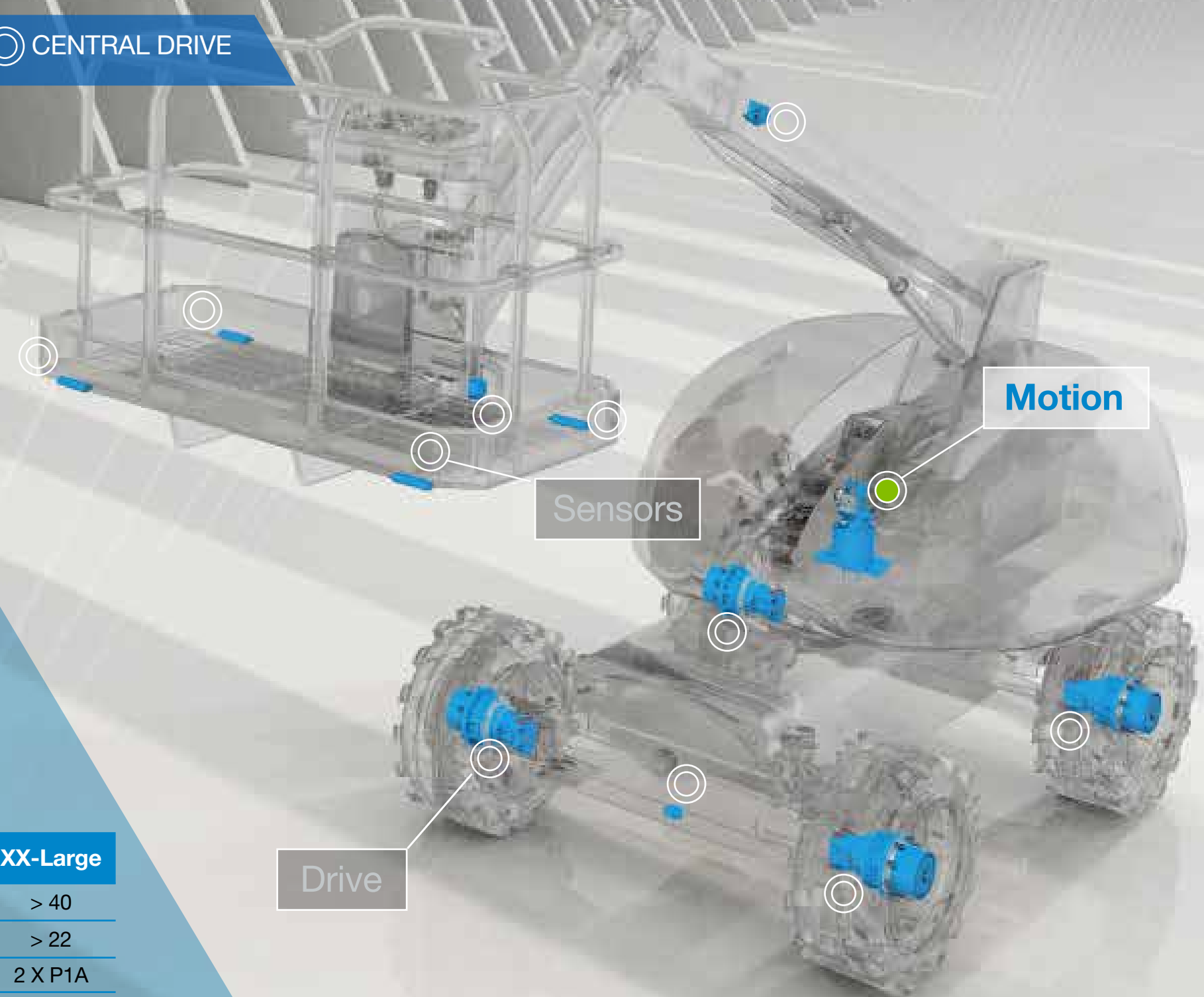
Conventional \ Electrified

4 WHEEL DRIVE CENTRAL DRIVE

Drive \ Motion \ Sensors

Key features and benefits

- Spring applied, hydraulically released holding brake
- Convenient backlash adjustment feature between pinion and slew bearing
- Orbital Motor with High-performance roller for improved efficiency and life
- Counterbalance valve included with various pressure and pilot setting available



Platform Size	Small	Medium	Large	X-Large	XX-Large
Working Height [m]	9 to 16	18 to 21	22 to 30	32 to 40	> 40
Working Weight [ton]	up to 8	8 to 12	12 to 17	17 to 22	> 22
Brevini® Slew Drive	Only motor	P1A	P1A	2 X P1A	2 X P1A
Brevini® Hydraulic Motor	BS130	BS130	BS130	BS130	BS130

Articulated Boom

Telescopic Boom

Slab Scissor

RT Scissor

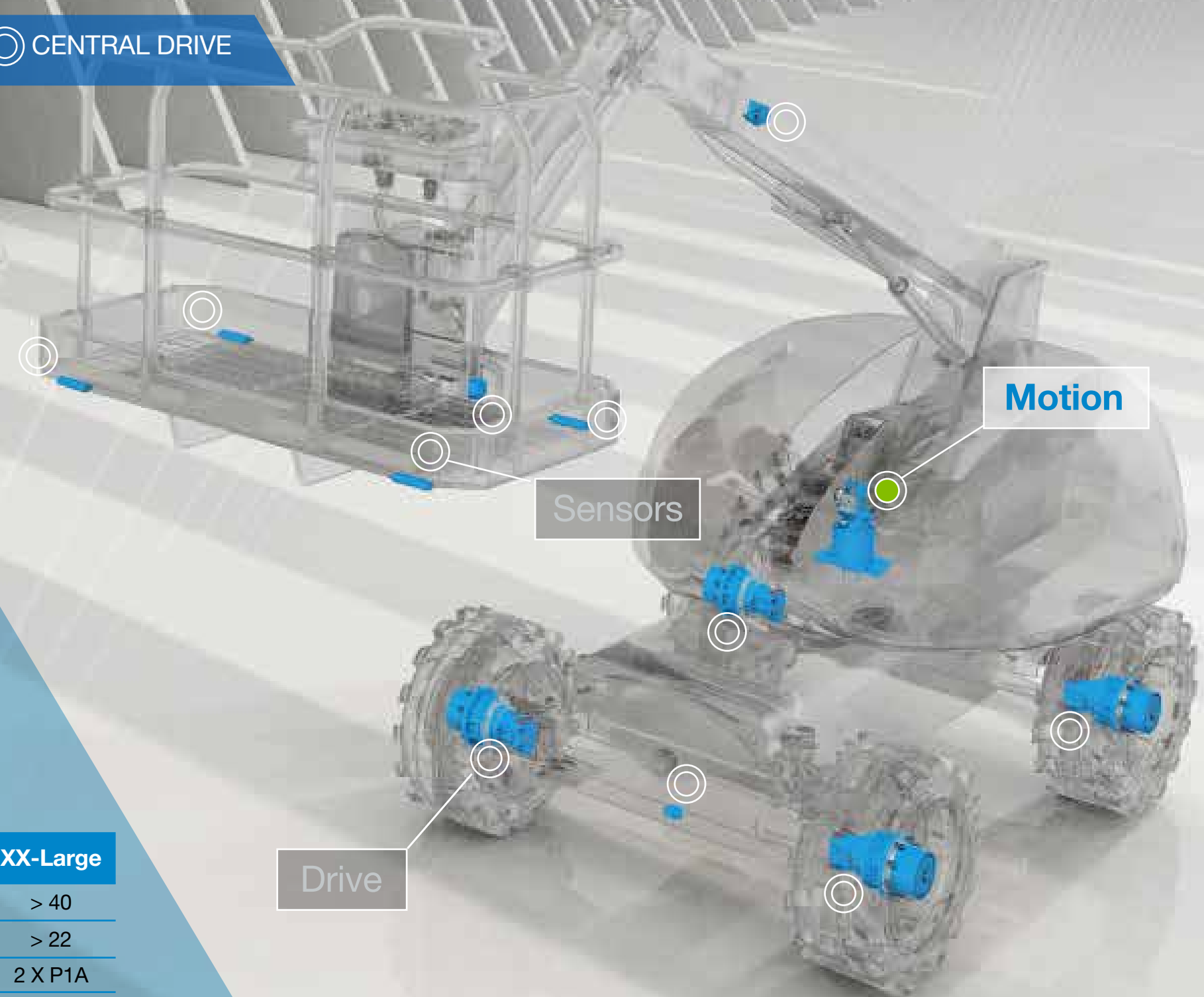
Conventional \ Electrified

4 WHEEL DRIVE CENTRAL DRIVE

Drive \ [Motion](#) \ Sensors

Key features and benefits

- Built in check valves to relieve case pressure to the low-pressure side of the motor.
- Orbital Motor with spool valve integrated in the output shaft with optimized geometry to minimize leakage



Platform Size	Small	Medium	Large	X-Large	XX-Large
Working Height [m]	9 to 16	18 to 21	22 to 30	32 to 40	> 40
Working Weight [ton]	up to 8	8 to 12	12 to 17	17 to 22	> 22
Brevini® Slew Drive	Only motor	P1A	P1A	2 X P1A	2 X P1A
Brevini® Hydraulic Motor	BS130	BS130	BS130	BS130	BS130

Articulated Boom

Telescopic Boom

Slab Scissor

RT Scissor

Conventional \ Electrified

4 WHEEL DRIVE CENTRAL DRIVE

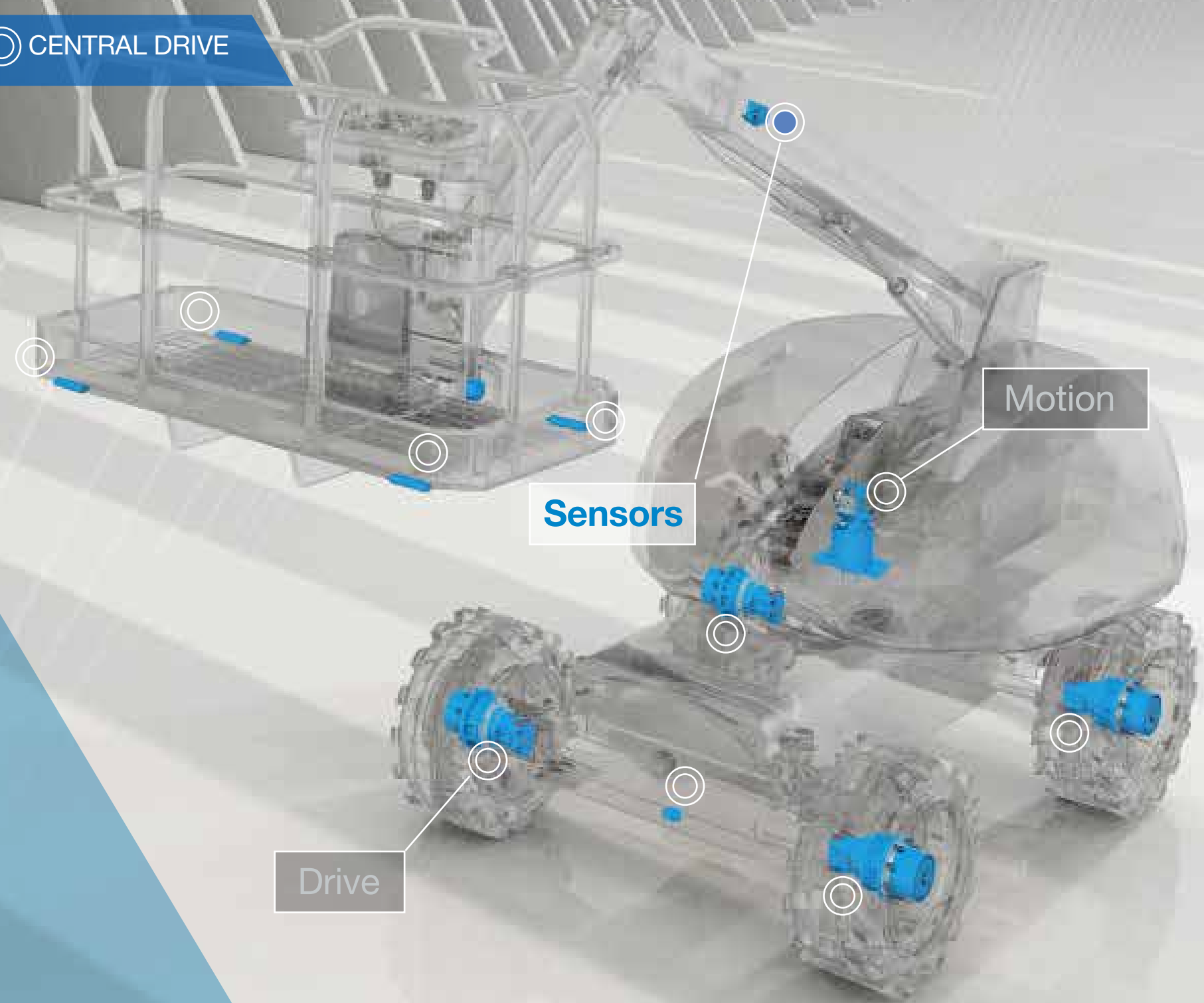
Drive \ Motion \ [Sensors](#)

Brevini® electronic sensors
Boom Extension Transducer



Key features and benefits

- Waterproof robust and compact body
- 1 or 2 axis integrated inclinometer available
- Dual\redundant outputs available for PLd EN13849 safety systems
- Length up to 12.5 meter



Articulated Boom

Telescopic Boom

Slab Scissor

RT Scissor

Conventional \ Electrified

4 WHEEL DRIVE CENTRAL DRIVE

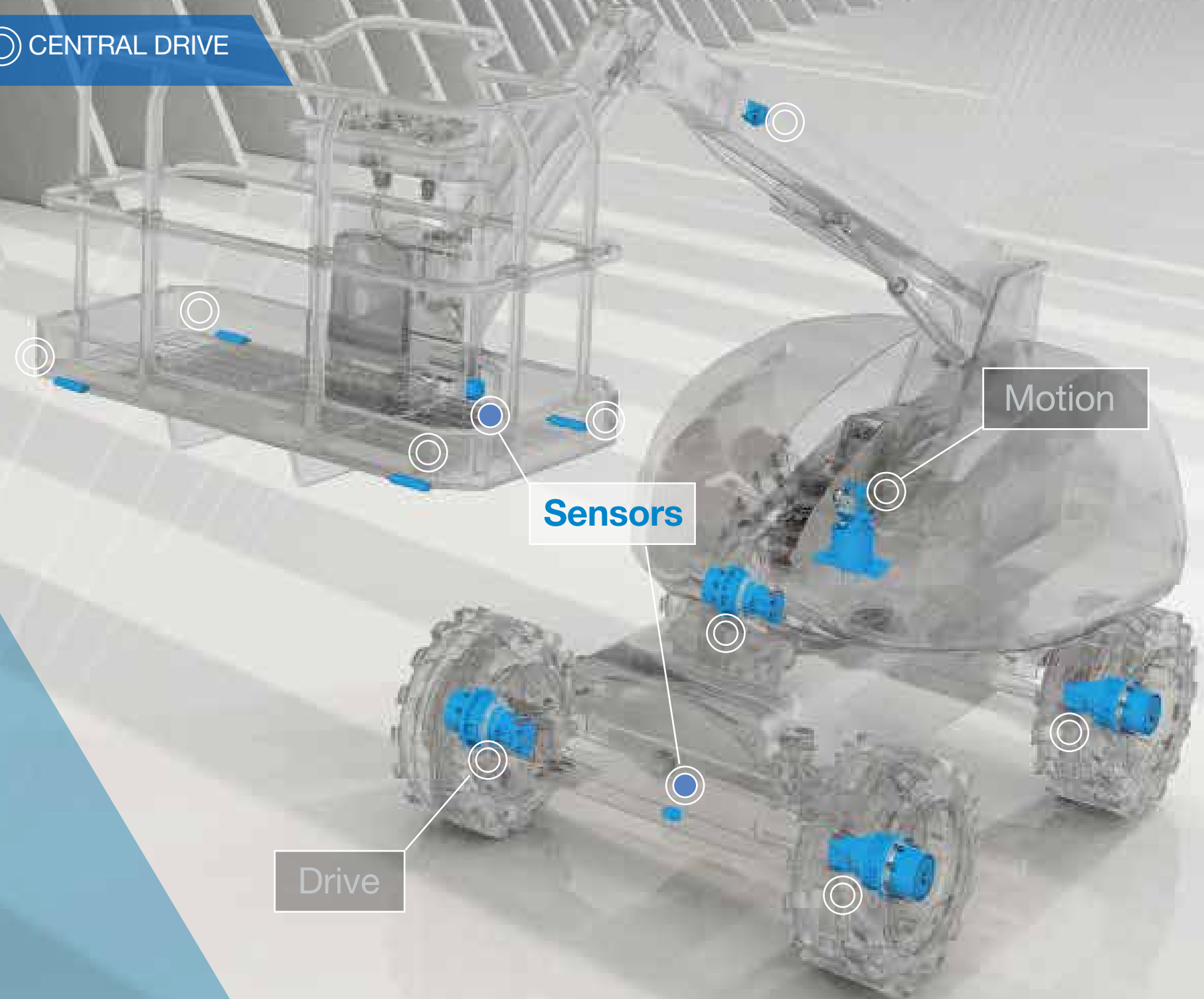
Drive \ Motion \ [Sensors](#)

Brevini® electronic sensors
Digital Inclinator



Key features and benefits

- Waterproof robust plastic body
- 1 or 2 axis measurement
- Dual/redundant outputs available for PLd EN13849 safety systems
- Optional thermal compensation available



Articulated Boom

Telescopic Boom

Slab Scissor

RT Scissor

Conventional \ Electrified

4 WHEEL DRIVE CENTRAL DRIVE

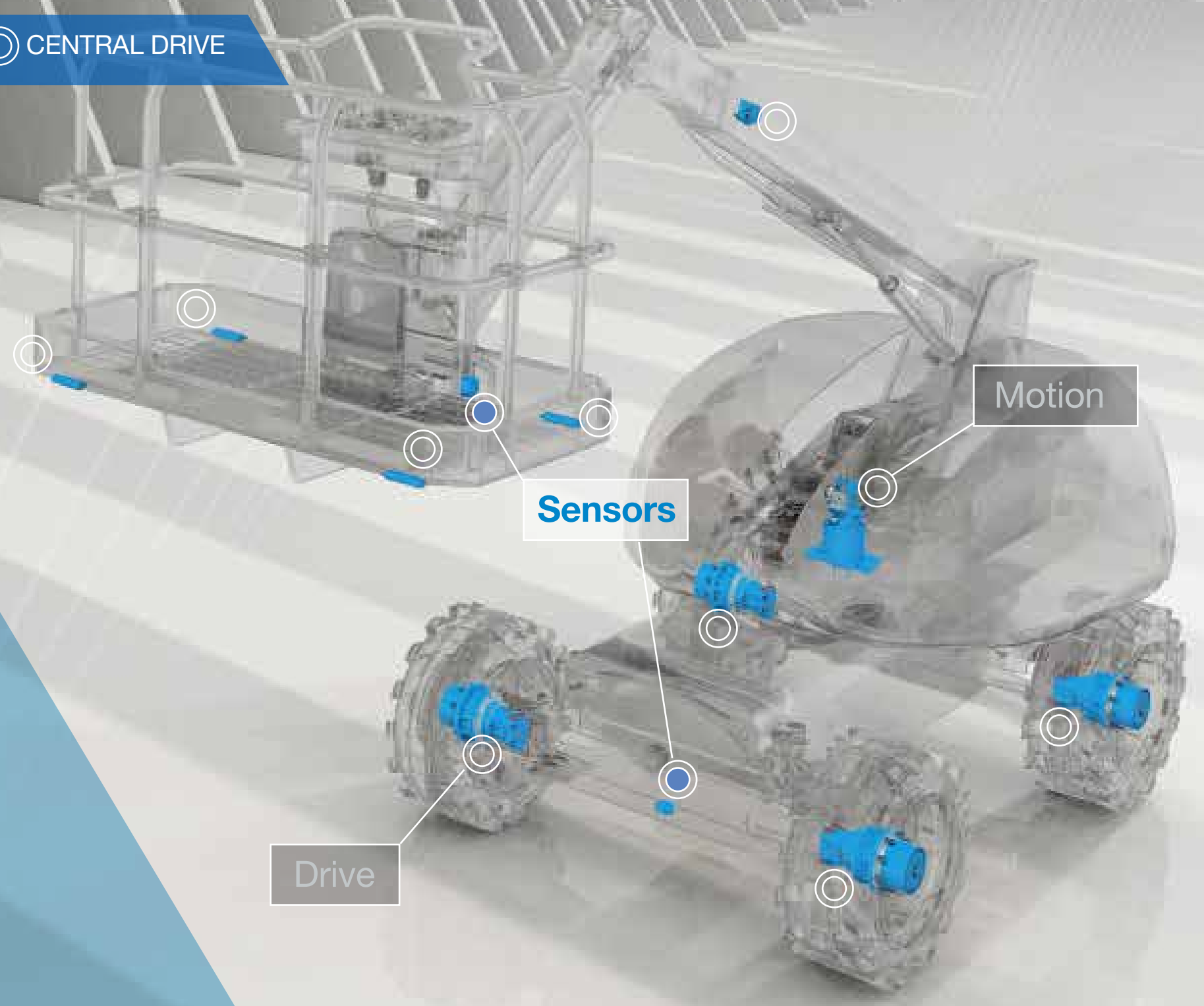
Drive \ Motion \ Sensors

Brevini® electronic sensors
Digital Inclinator



Key features and benefits

- Customizable signal filtration
- Customizable hardness on demand



Articulated Boom

Telescopic Boom

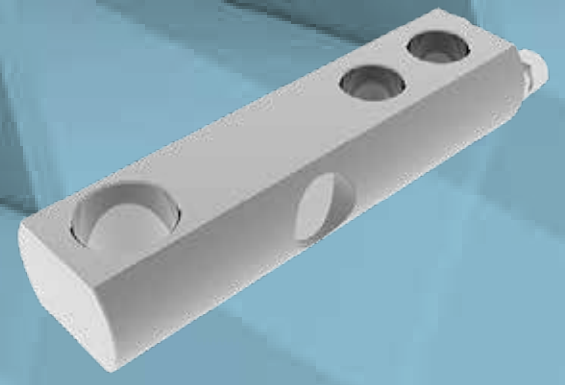
Slab Scissor

RT Scissor

Conventional \ Electrified
Drive \ Motion \ Sensors

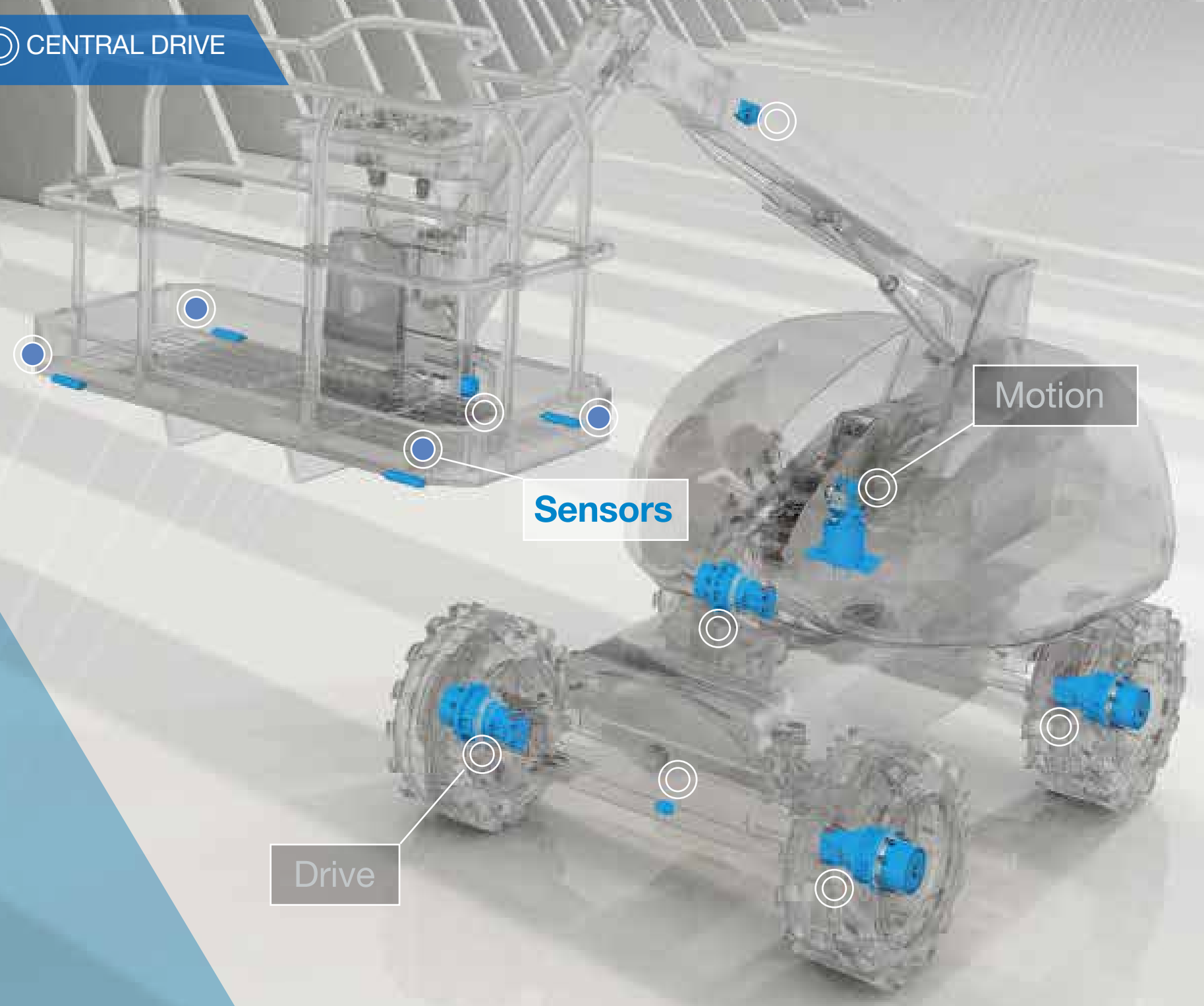
4 WHEEL DRIVE CENTRAL DRIVE

Brevini® electronic sensors
Load Sensor



Key features and benefits

- Waterproof robust and compact body
- Dual\Redundant output available for PLd EN13849 safety systems
- Optional thermal compensation available



Articulated Boom

Telescopic Boom

Slab Scissor

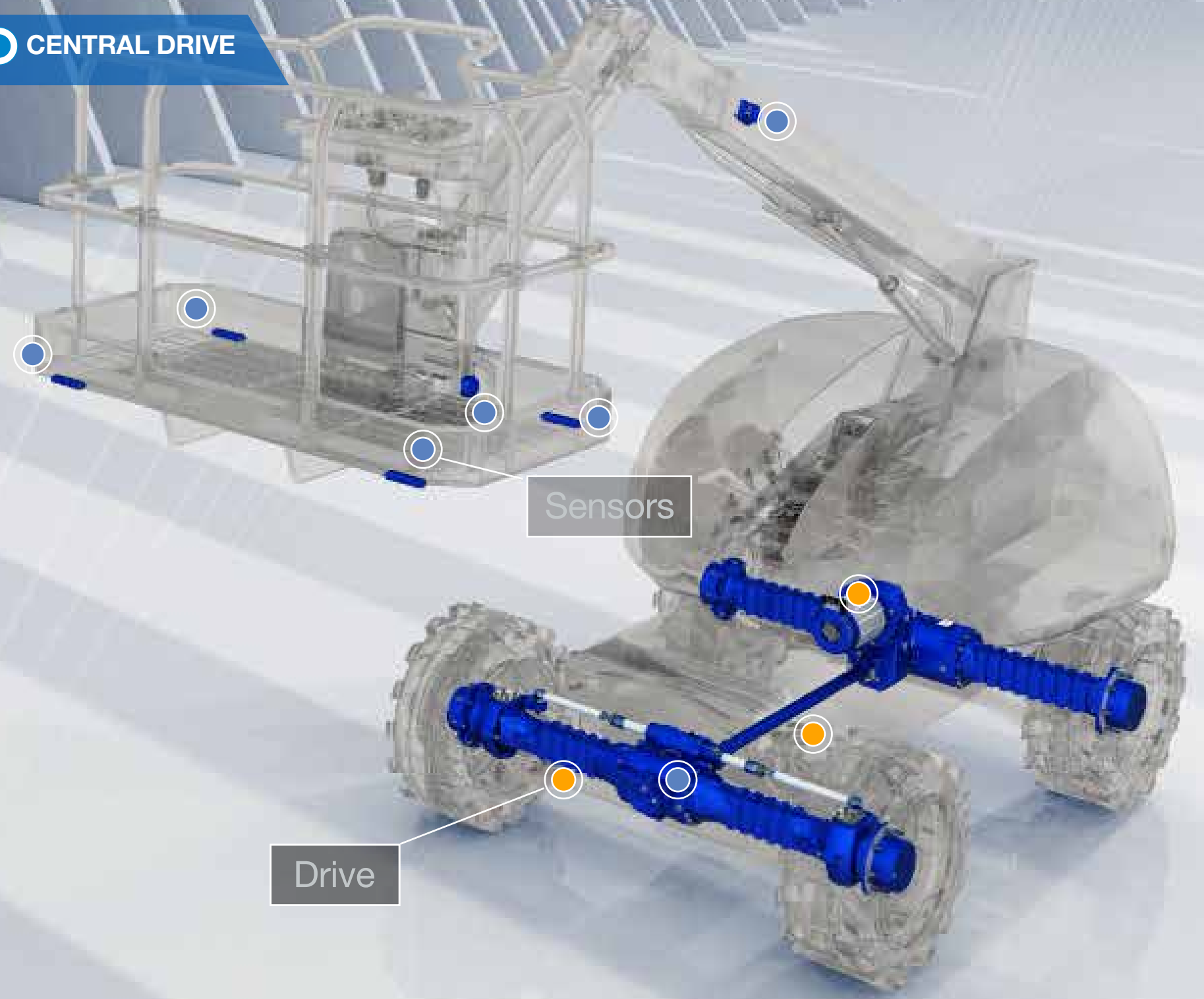
RT Scissor

Conventional \ **Electrified**

Ⓞ 4 WHEEL DRIVE

Ⓞ CENTRAL DRIVE

An electro-mechanical system solution for [drive](#), with electronic [sensors](#), for greater efficiency with less size and weight and long-life performance.



Articulated Boom

Telescopic Boom

Slab Scissor

RT Scissor

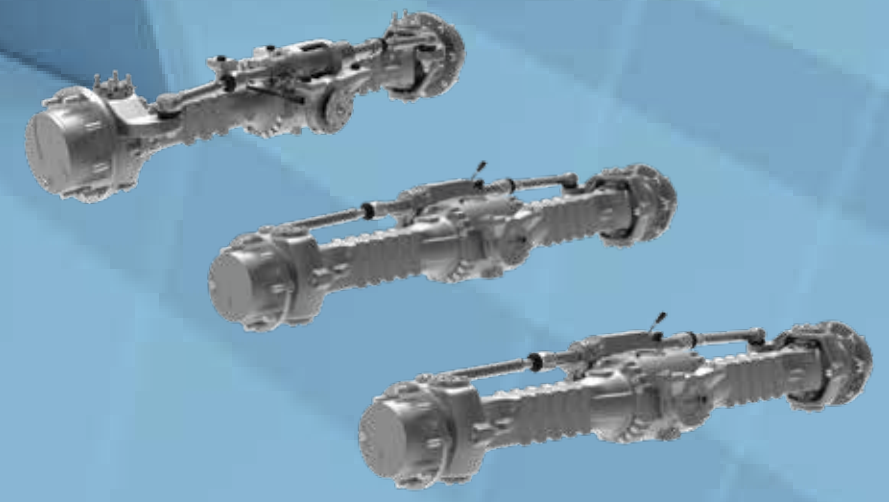
Conventional \ **Electrified**

4 WHEEL DRIVE

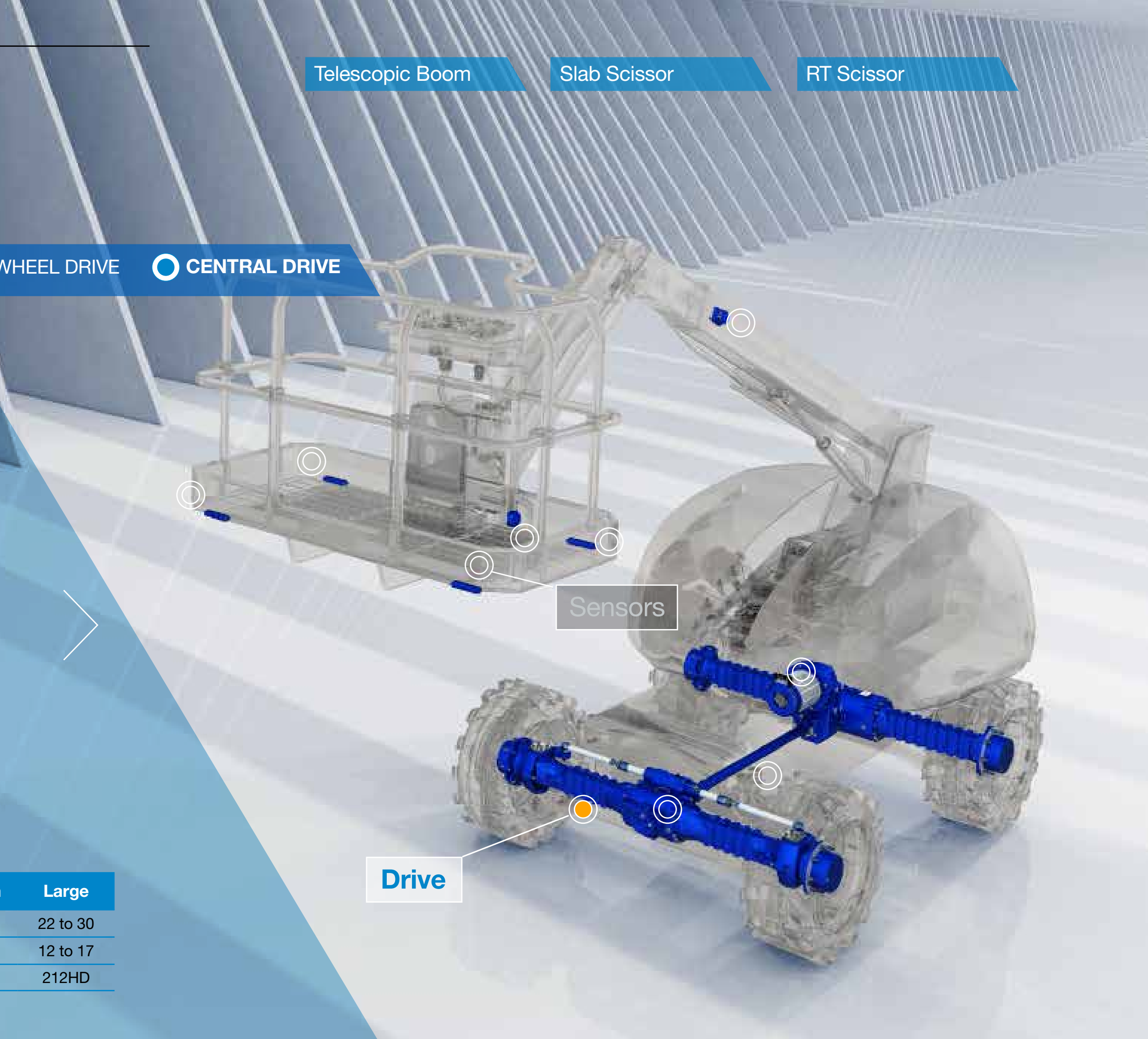
CENTRAL DRIVE

Drive \ Sensors

Spicer®
Front axle 211, 212, 212HD



Platform Size	Small	Medium	Large
Working Height [m]	9 to 16	18 to 21	22 to 30
Working Weight [ton]	up to 8	8 to 12	12 to 17
Spicer® Front axle	211	212	212HD



Articulated Boom

Telescopic Boom

Slab Scissor

RT Scissor

Conventional \ **Electrified**

⊙ 4 WHEEL DRIVE

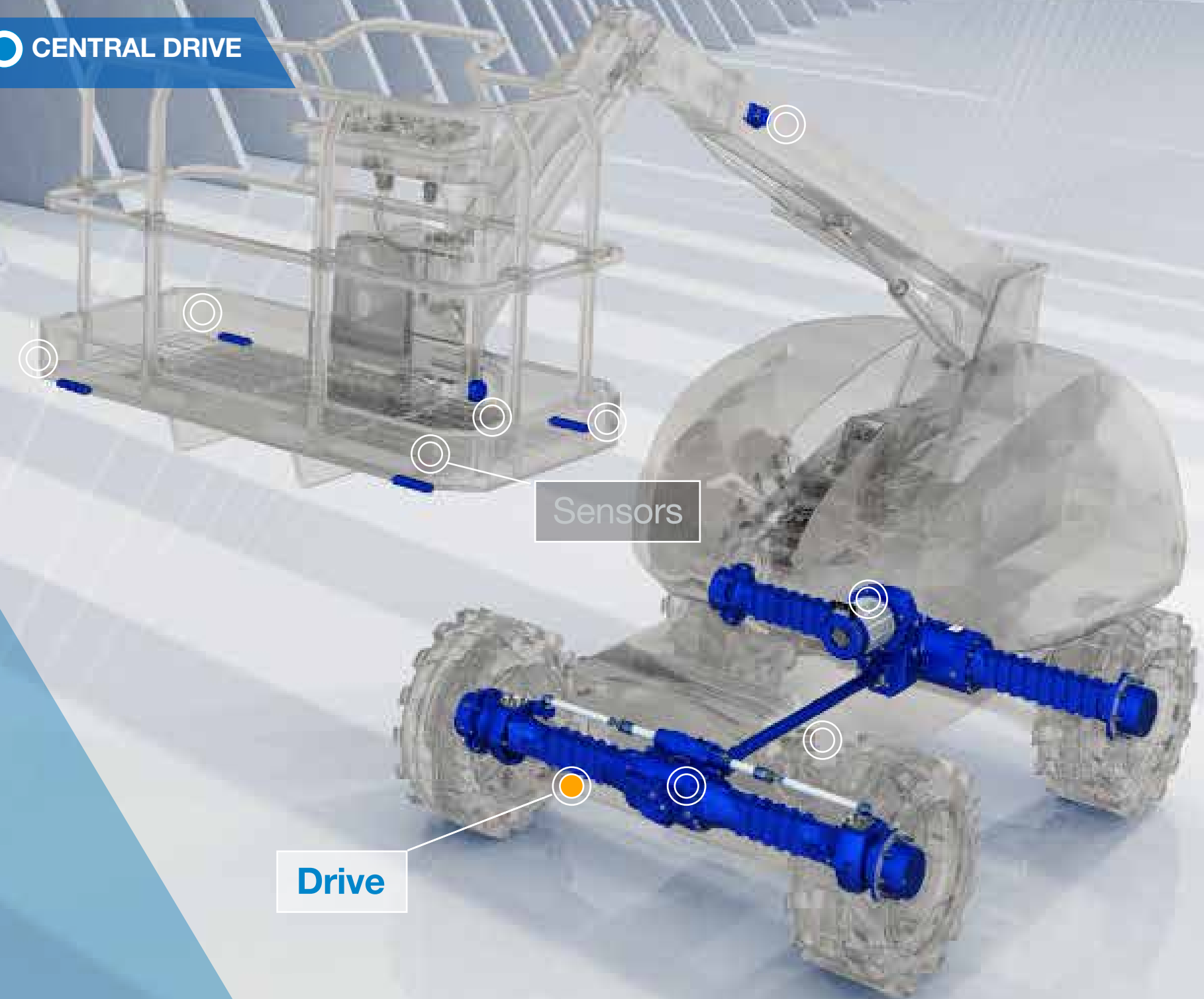
○ CENTRAL DRIVE

Drive \ Sensors

Key features and benefits

- Planetary steering axle
- High driveline efficiency
- Minimal impact on vehicle frame
- Easy, low-cost service, and maintenance
- Different hub reduction sizes

Platform Size	Small	Medium	Large
Working Height [m]	9 to 16	18 to 21	22 to 30
Working Weight [ton]	up to 8	8 to 12	12 to 17
Spicer® Front axle	211	212	212HD



Articulated Boom

Telescopic Boom

Slab Scissor

RT Scissor

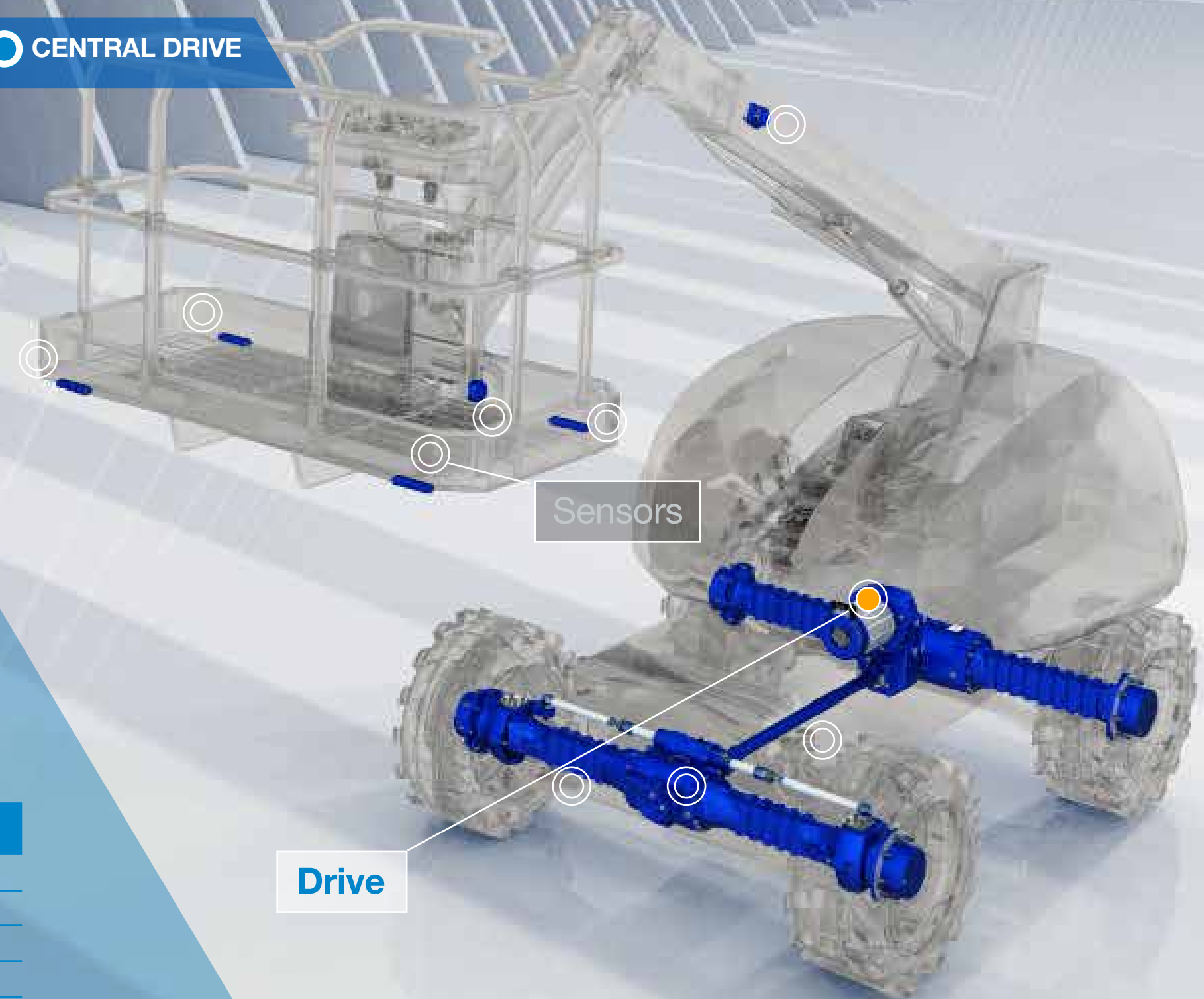
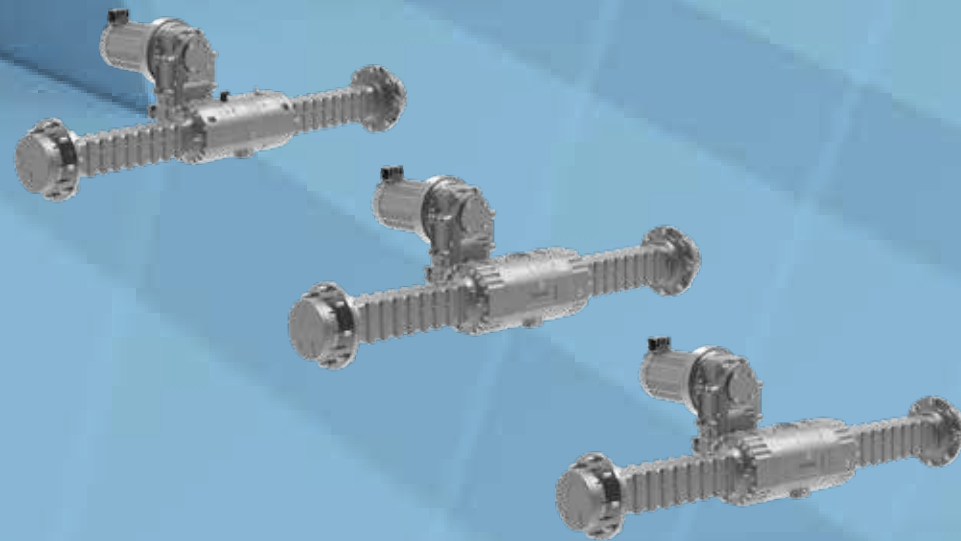
Conventional \ **Electrified**

4 WHEEL DRIVE

CENTRAL DRIVE

Drive \ Sensors

Spicer Electrified™
Rear e-Axle eS111, eS112, eS112HD
with Spicer® eSG001 Dropbox
and Dana™ TM4™ Electric Motor



Platform Size	Small	Medium	Large
Working Height [m]	9 to 16	18 to 21	22 to 30
Working Weight [ton]	up to 8	8 to 12	12 to 17
Spicer Electrified™ Rear e-Axle	eS111	eS112	eS112HD
Dropbox	eSG001	eSG001	eSG001
Dana TM4™	SRIPM200-150	SRIPM200-200	SRIPM200-250



Articulated Boom

Telescopic Boom

Slab Scissor

RT Scissor

Conventional \ **Electrified**

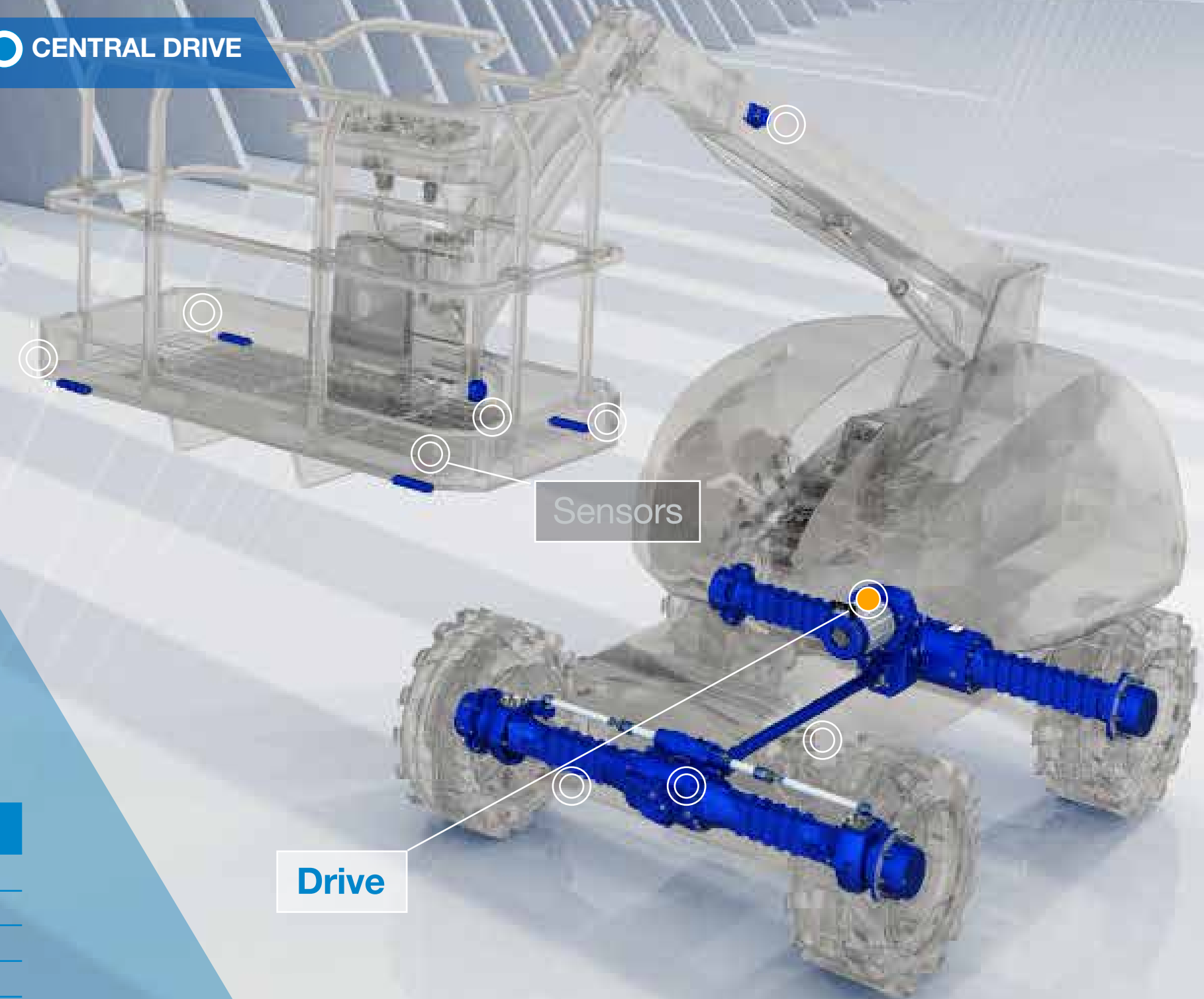
4 WHEEL DRIVE

CENTRAL DRIVE

Drive \ Sensors

Key features and benefits

- Planetary rigid axles, based on modular axle, driven by electric motor
- Available in a variety of configurations and ratios
- Single speed dropbox directly flanged to Spicer® axles, designed to enhance vehicle mobility and allow for quick deployment from worksite to worksite



Platform Size	Small	Medium	Large
Working Height [m]	9 to 16	18 to 21	22 to 30
Working Weight [ton]	up to 8	8 to 12	12 to 17
Spicer Electrified™ Rear e-Axle	eS111	eS112	eS112HD
Dropbox	eSG001	eSG001	eSG001
Dana TM4™	SRIPM200-150	SRIPM200-200	SRIPM200-250

Articulated Boom

Telescopic Boom

Slab Scissor

RT Scissor

Conventional \ **Electrified**

4 WHEEL DRIVE

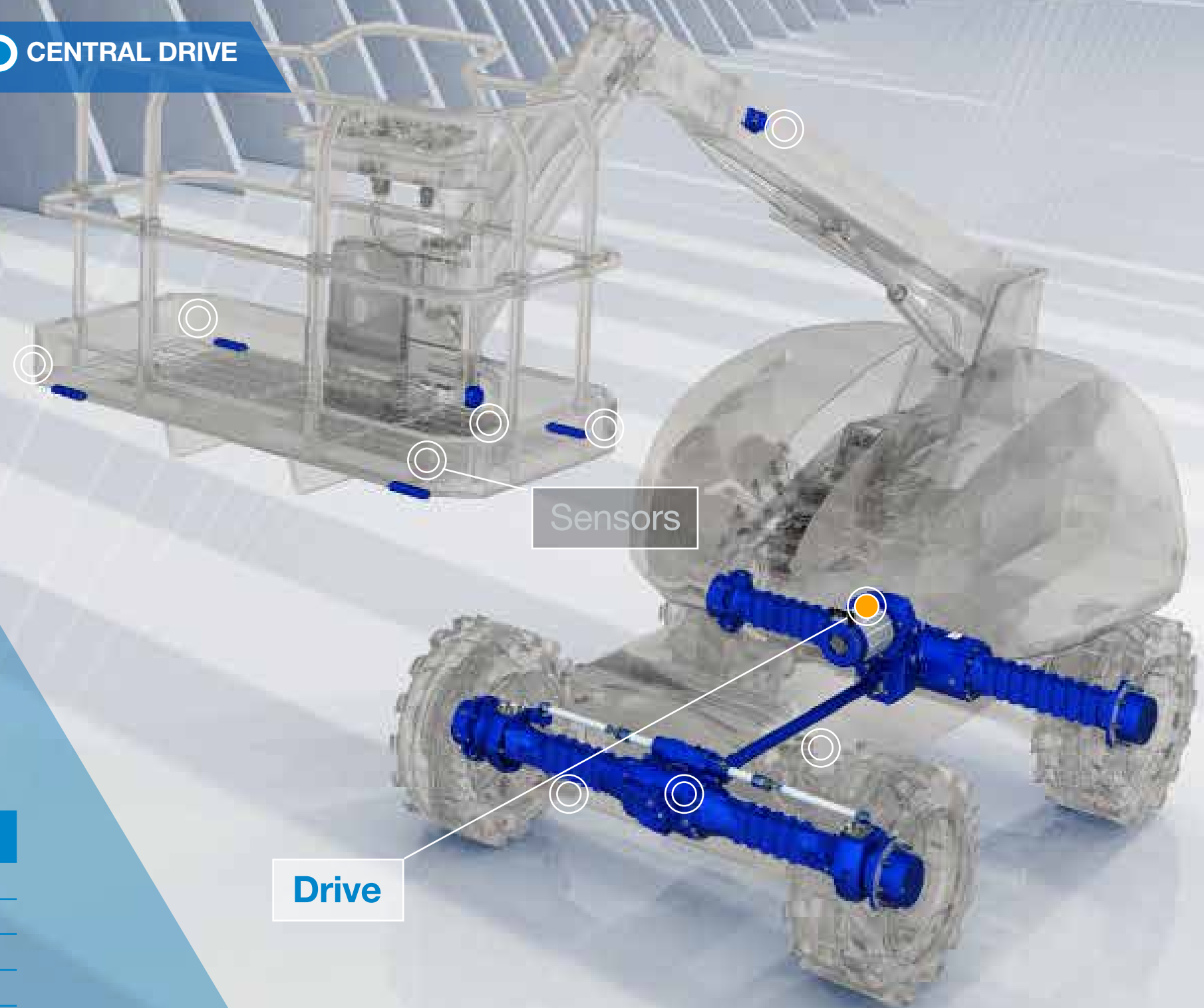
CENTRAL DRIVE

Drive \ Sensors

Key features and benefits

- Optimized NVH and efficiency for electric applications
- Four-wheel drive engagement
- Optional electromagnetic spring applied parking brake
- Different electric motors technologies to meet performance requirements
- DC voltage range: 48 V to 96 V

Platform Size	Small	Medium	Large
Working Height [m]	9 to 16	18 to 21	22 to 30
Working Weight [ton]	up to 8	8 to 12	12 to 17
Spicer Electrified™ Rear e-Axle	eS111	eS112	eS112HD
Dropbox	eSG001	eSG001	eSG001
Dana TM4™	SRIPM200-150	SRIPM200-200	SRIPM200-250



Drive

Sensors

Articulated Boom

Telescopic Boom

Slab Scissor

RT Scissor

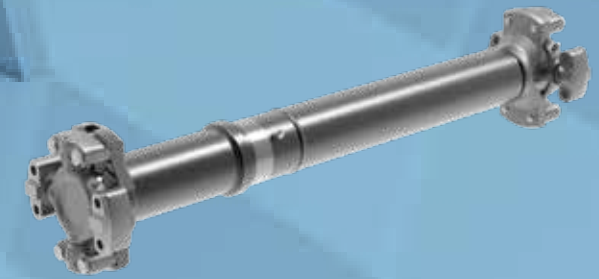
Conventional \ **Electrified**

4 WHEEL DRIVE

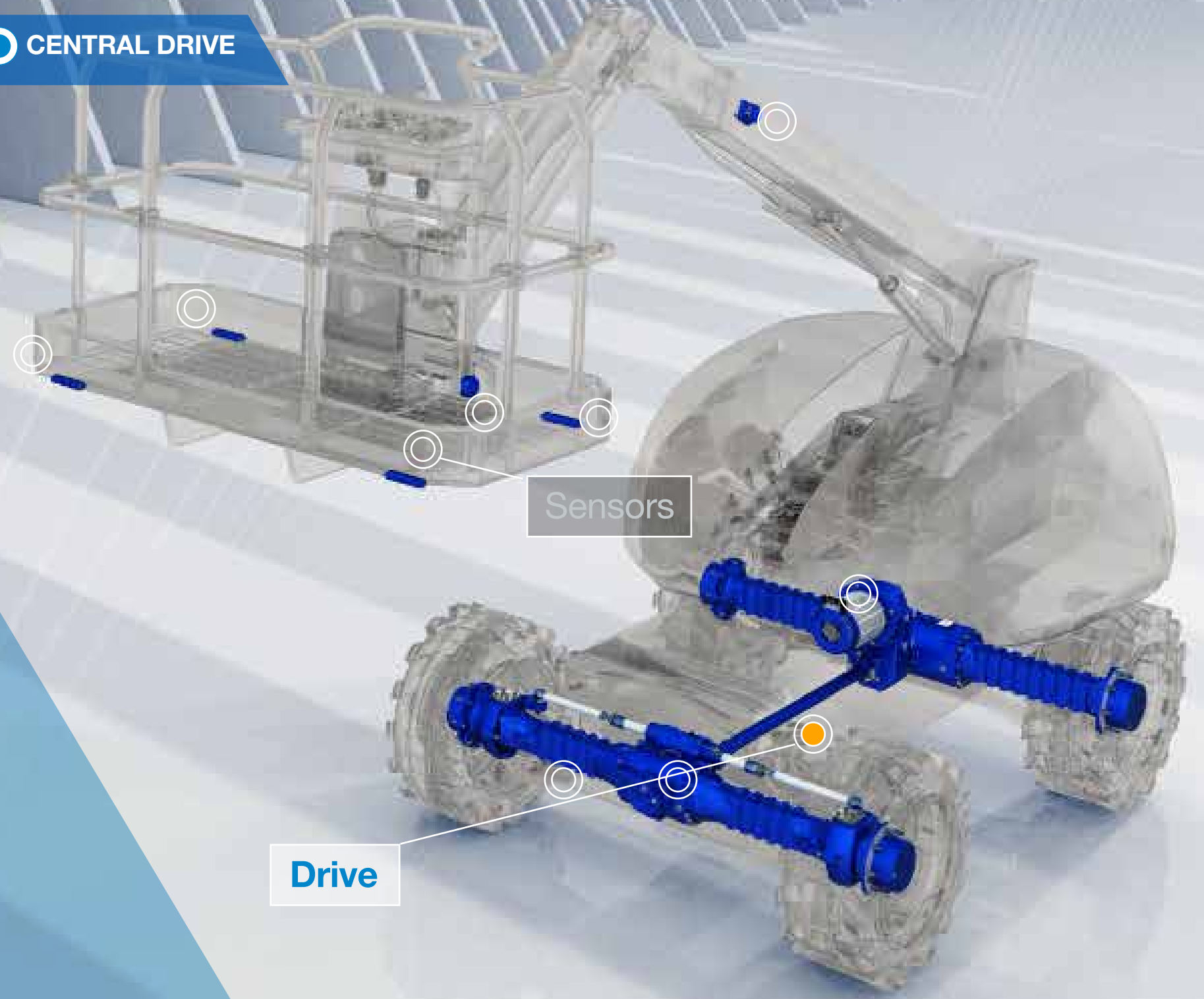
CENTRAL DRIVE

Drive \ Sensors

Spicer® Driveshaft 10 Series



Platform Size	Small	Medium	Large
Working Height [m]	9 to 16	18 to 21	22 to 30
Working Weight [ton]	up to 8	8 to 12	12 to 17
Spicer® Driveshaft	10 Series	10 Series	10 Series



Articulated Boom

Telescopic Boom

Slab Scissor

RT Scissor

Conventional \ **Electrified**

⊙ 4 WHEEL DRIVE

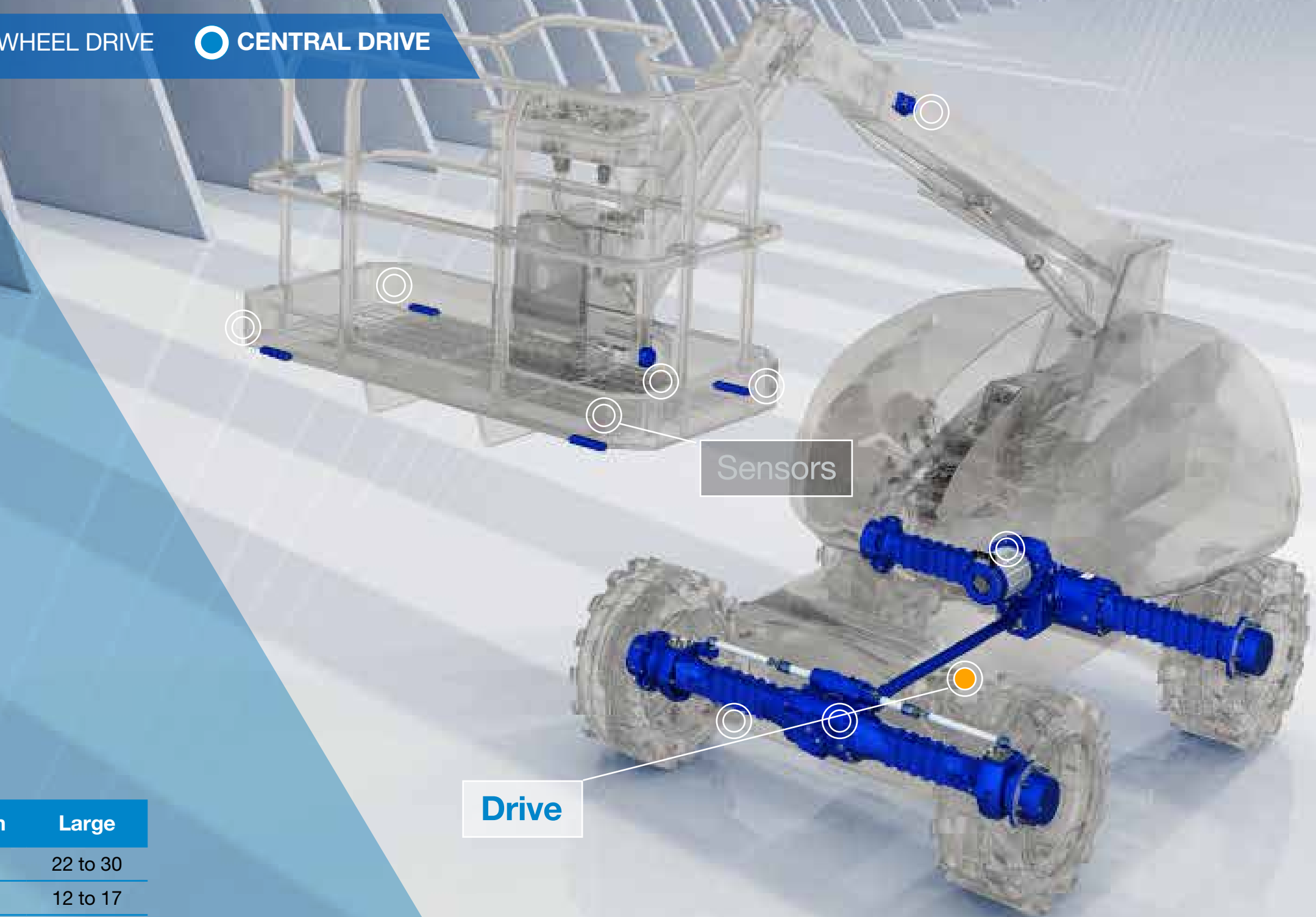
○ CENTRAL DRIVE

Drive \ Sensors

Key features and benefits

- Extended Spline Life
- Reduced Thrust Load under Pressure
- Lower Friction under Load
- Superior Needle Bearing Retention
- Easy to Service Universal Joints
- Extended or Permanent Lubrication available on request

Platform Size	Small	Medium	Large
Working Height [m]	9 to 16	18 to 21	22 to 30
Working Weight [ton]	up to 8	8 to 12	12 to 17
Spicer® Driveshaft	10 Series	10 Series	10 Series



Sensors

Drive

Articulated Boom

Telescopic Boom

Slab Scissor

RT Scissor

Conventional \ **Electrified**

4 WHEEL DRIVE

CENTRAL DRIVE

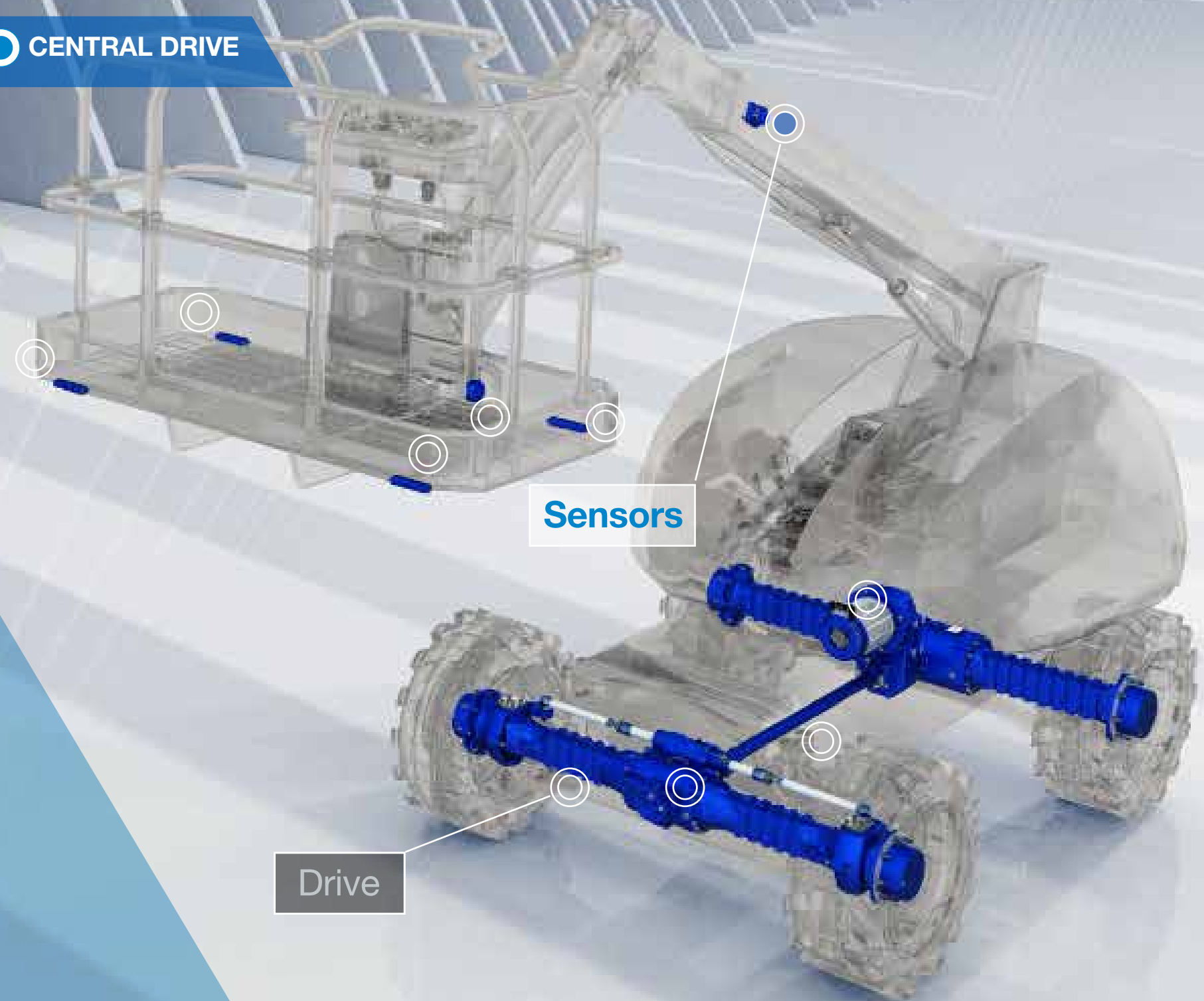
Drive \ Sensors

Brevini® electronic sensors
Boom Extension Transducer



Key features and benefits

- Waterproof robust and compact body
- 1 or 2 axis integrated inclinometer available
- Dual/redundant outputs available for PLd EN13849 safety systems
- Length up to 12.5 meter



Articulated Boom

Telescopic Boom

Slab Scissor

RT Scissor

Conventional \ **Electrified**

4 WHEEL DRIVE

CENTRAL DRIVE

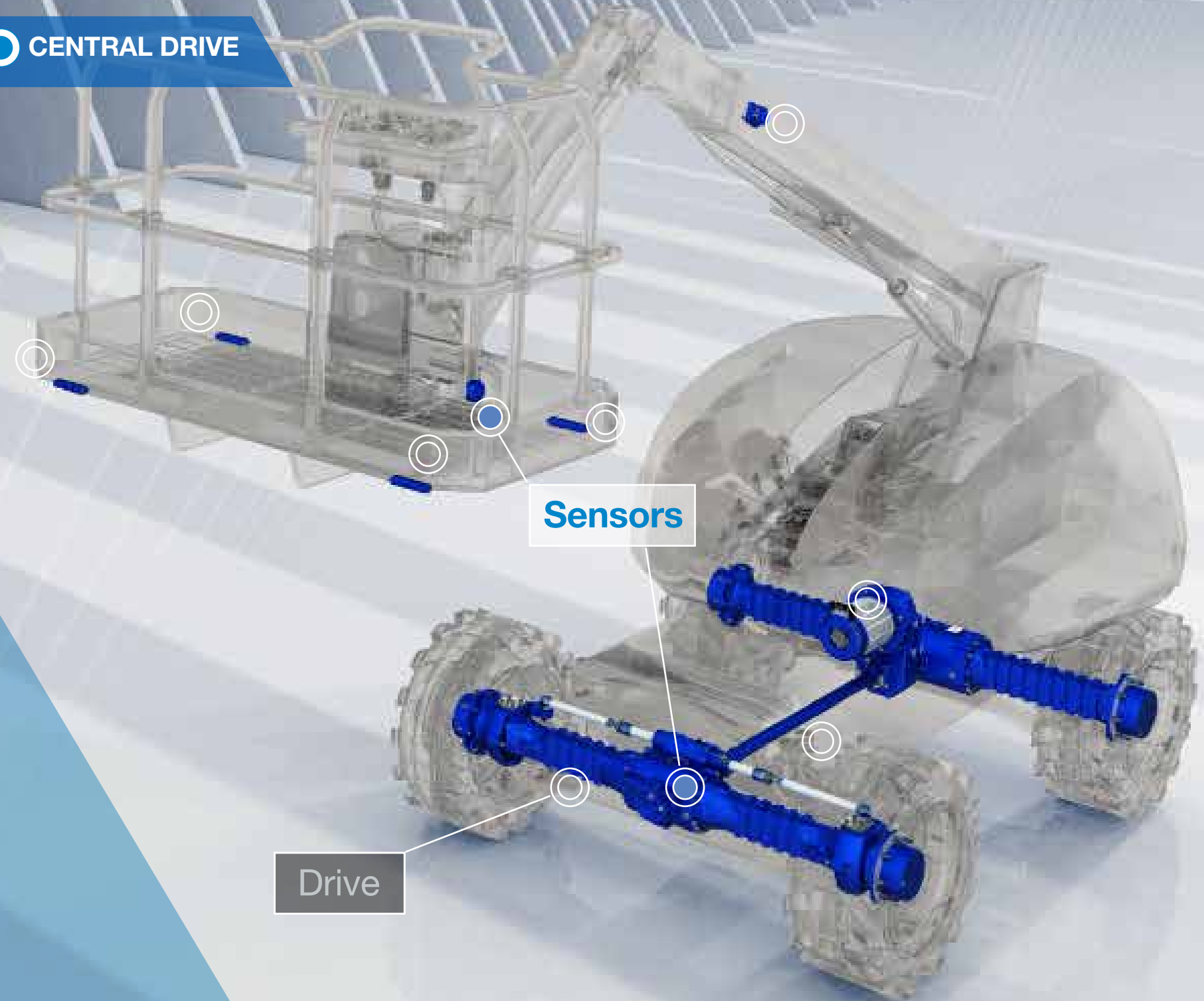
Drive \ Sensors

Brevini® electronic sensors
Digital Inclinator



Key features and benefits

- Waterproof robust plastic body
- 1 or 2 axis measurement
- Dual/redundant outputs available for PLd EN13849 safety systems
- Optional thermal compensation available



Sensors

Drive

Articulated Boom

Telescopic Boom

Slab Scissor

RT Scissor

Conventional \ **Electrified**

4 WHEEL DRIVE

CENTRAL DRIVE

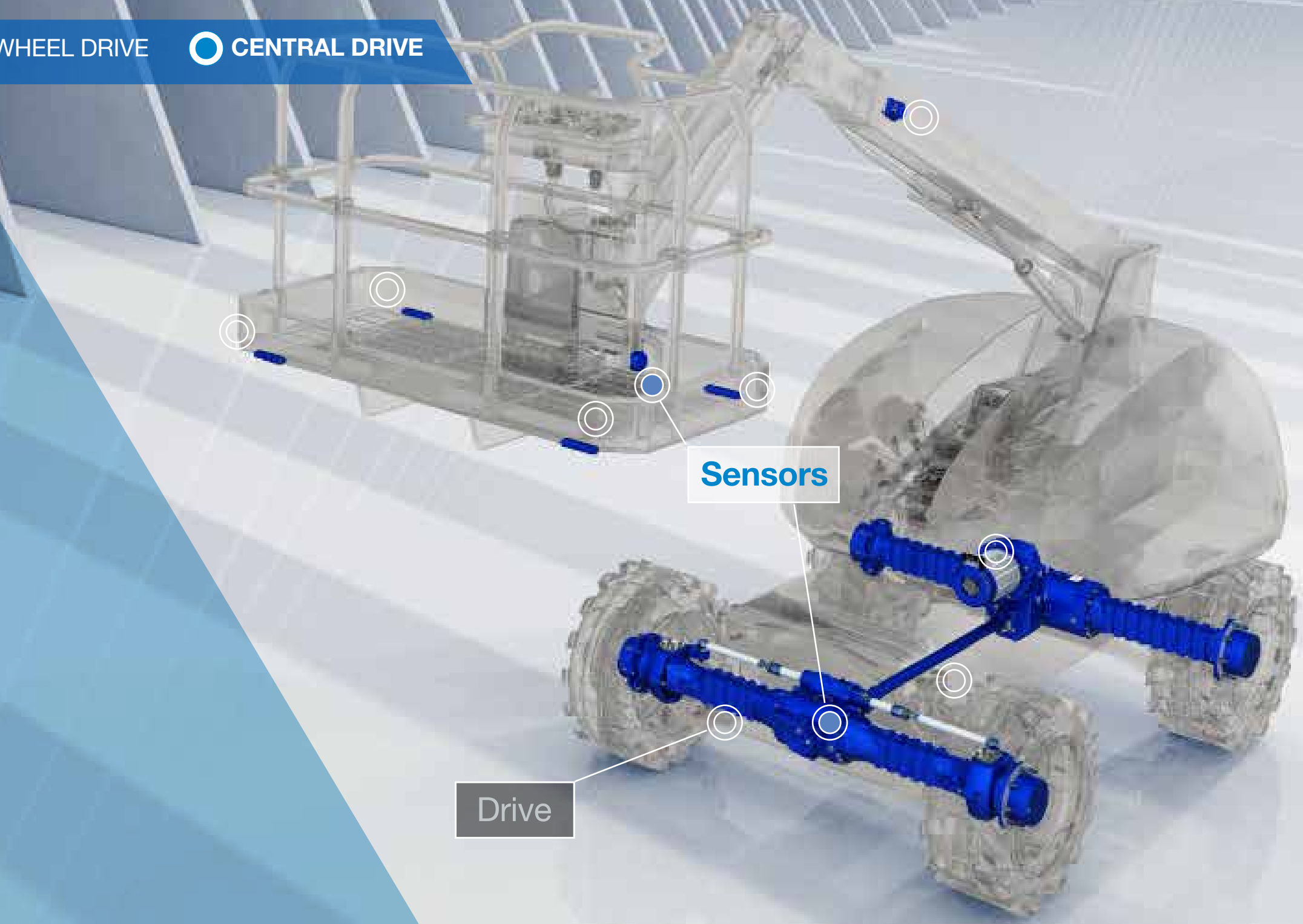
Drive \ Sensors

Brevini® electronic sensors
Digital Inclinator



Key features and benefits

- Customizable signal filtration
- Customizable hardness on demand



Sensors

Drive

Articulated Boom

Telescopic Boom

Slab Scissor

RT Scissor

Conventional \ **Electrified**

4 WHEEL DRIVE

CENTRAL DRIVE

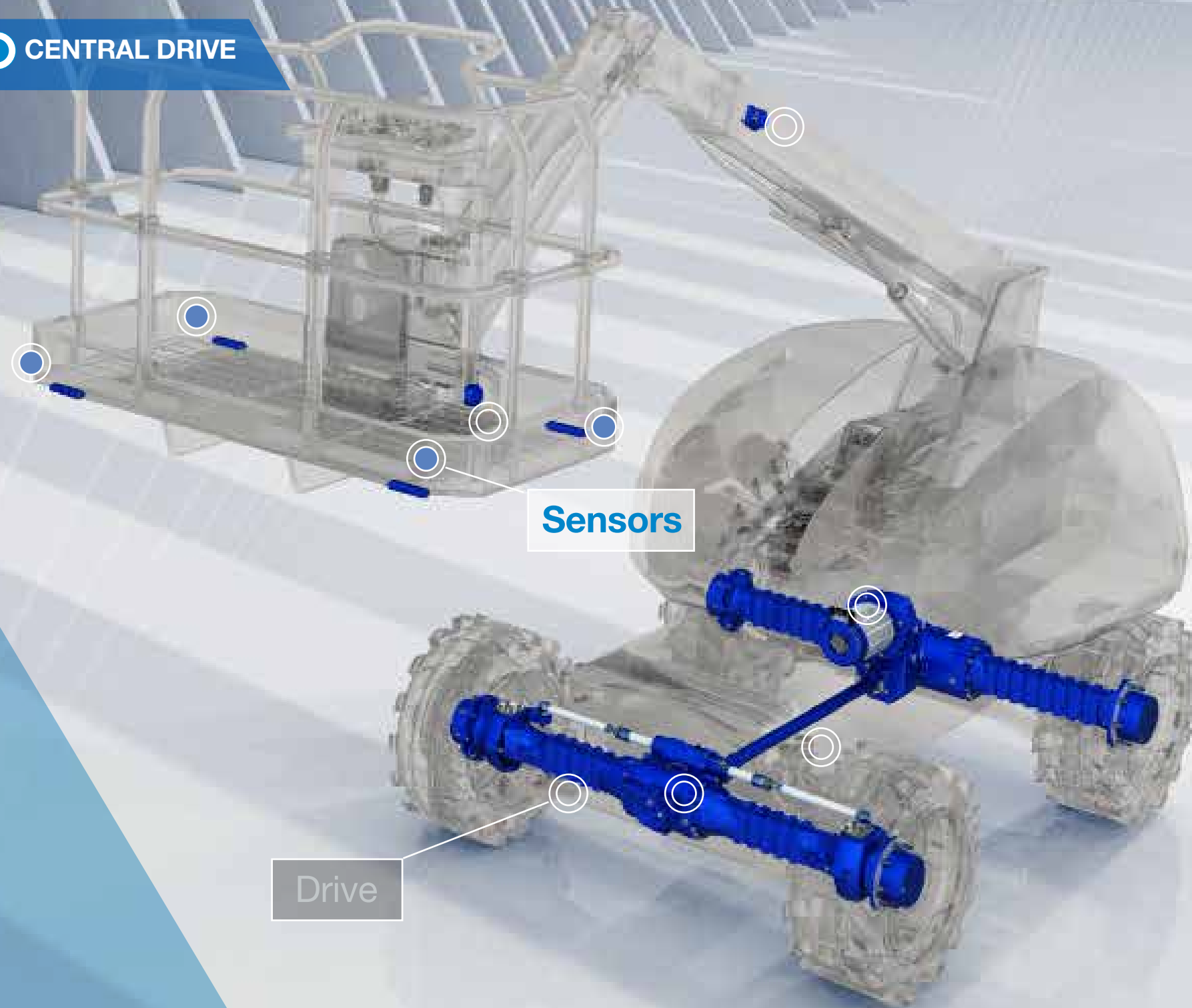
Drive \ Sensors

Brevini® electronic sensors
Load Sensor



Key features and benefits

- Waterproof robust and compact body
- Dual\Redundant output available for PLd EN13849 safety systems
- Optional thermal compensation available



Articulated Boom

Telescopic Boom

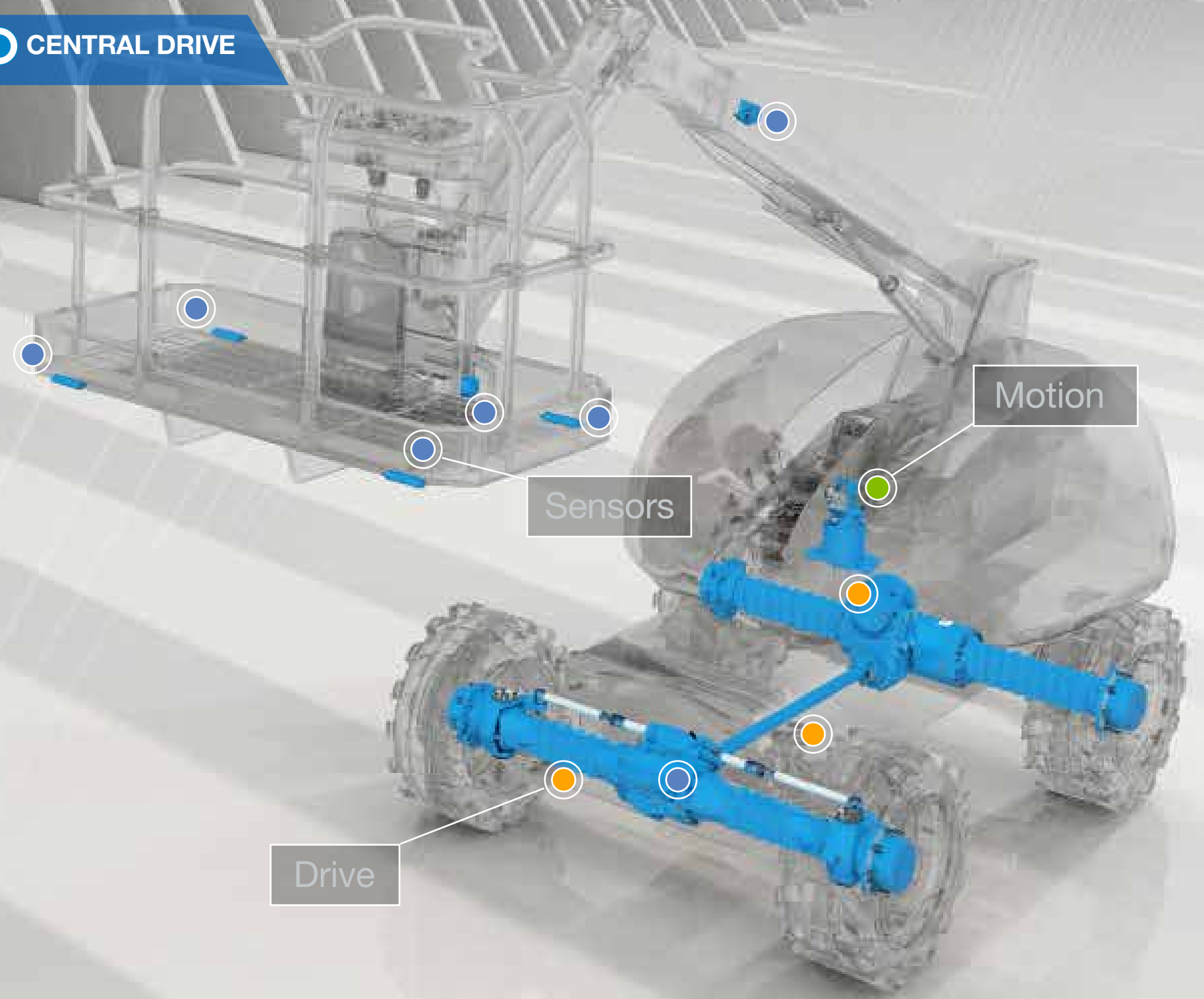
Slab Scissor

RT Scissor

Conventional \ Electrified

Ⓞ 4 WHEEL DRIVE

Ⓞ CENTRAL DRIVE



A hydraulic system solution for [drive](#) and [motion](#), combined with electronic [sensors](#), for greater efficiency and performance.

Articulated Boom

Telescopic Boom

Slab Scissor

RT Scissor

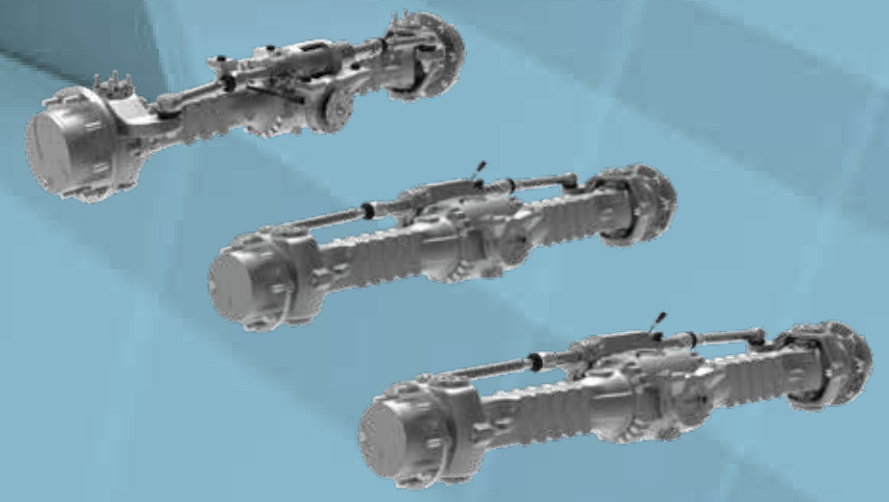
Conventional \ Electrified

4 WHEEL DRIVE

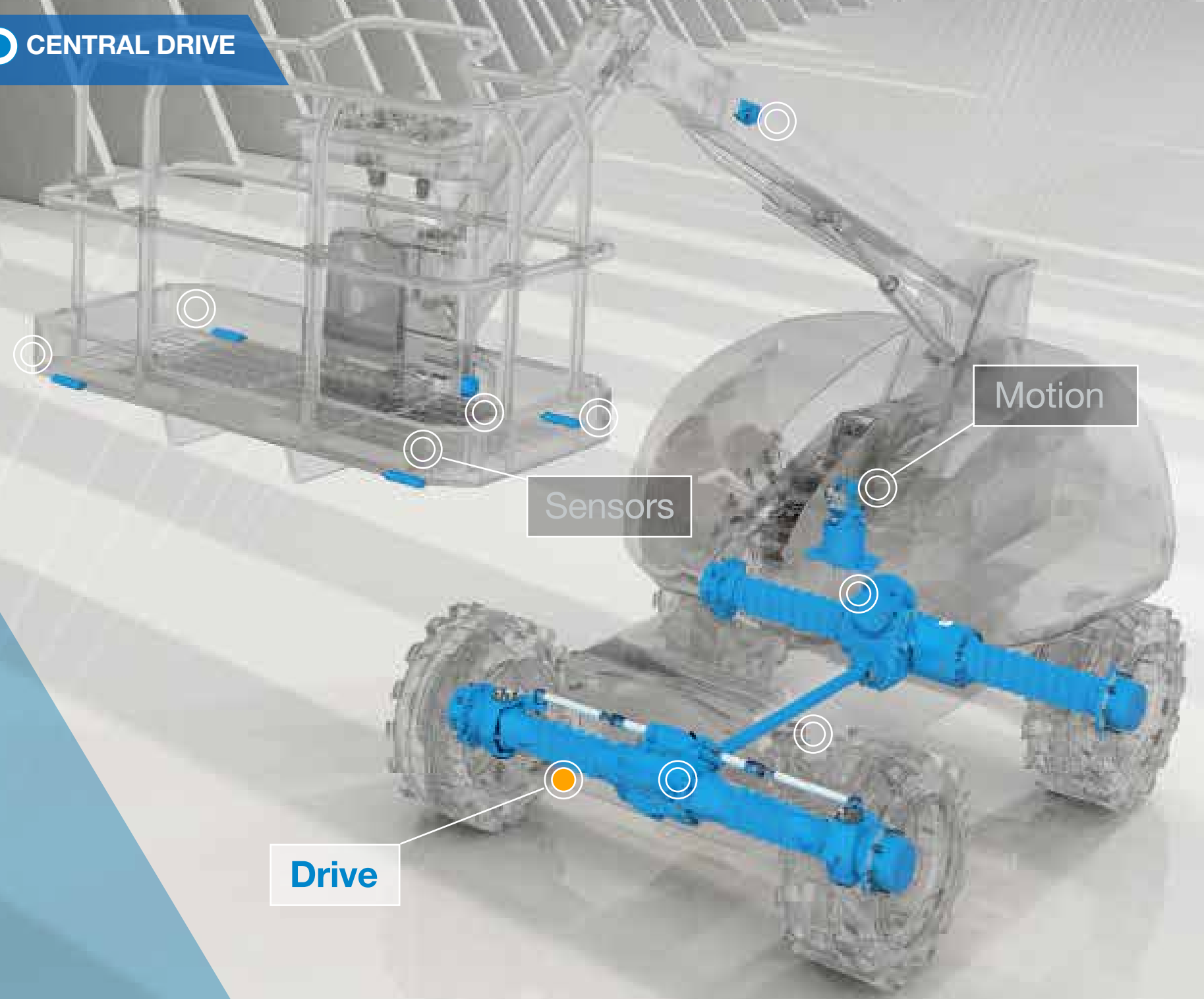
CENTRAL DRIVE

Drive \ Motion \ Sensors

Spicer®
Front axle 211, 212, 212HD



Platform Size	Small	Medium	Large
Working Height [m]	9 to 16	18 to 21	22 to 30
Working Weight [ton]	up to 8	8 to 12	12 to 17
Spicer® Front axle	211	212	212HD



Articulated Boom

Telescopic Boom

Slab Scissor

RT Scissor

Conventional \ Electrified

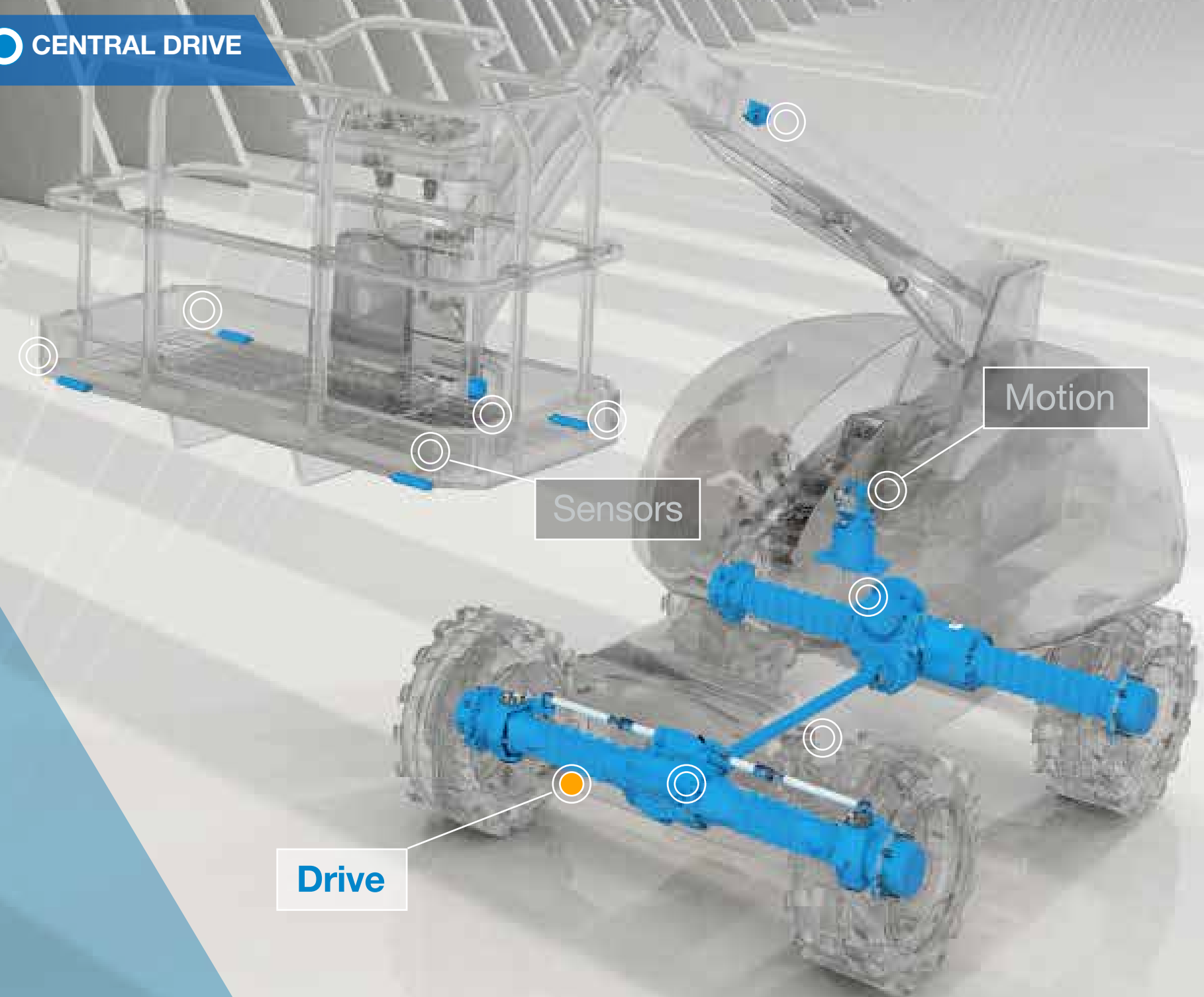
4 WHEEL DRIVE

CENTRAL DRIVE

Drive \ Motion \ Sensors

Key features and benefits

- Planetary steering axle
- High driveline efficiency
- Minimal impact on vehicle frame
- Easy, low-cost service, and maintenance
- Different hub reduction sizes



Platform Size	Small	Medium	Large
Working Height [m]	9 to 16	18 to 21	22 to 30
Working Weight [ton]	up to 8	8 to 12	12 to 17
Spicer® Front axle	211	212	212HD

Articulated Boom

Telescopic Boom

Slab Scissor

RT Scissor

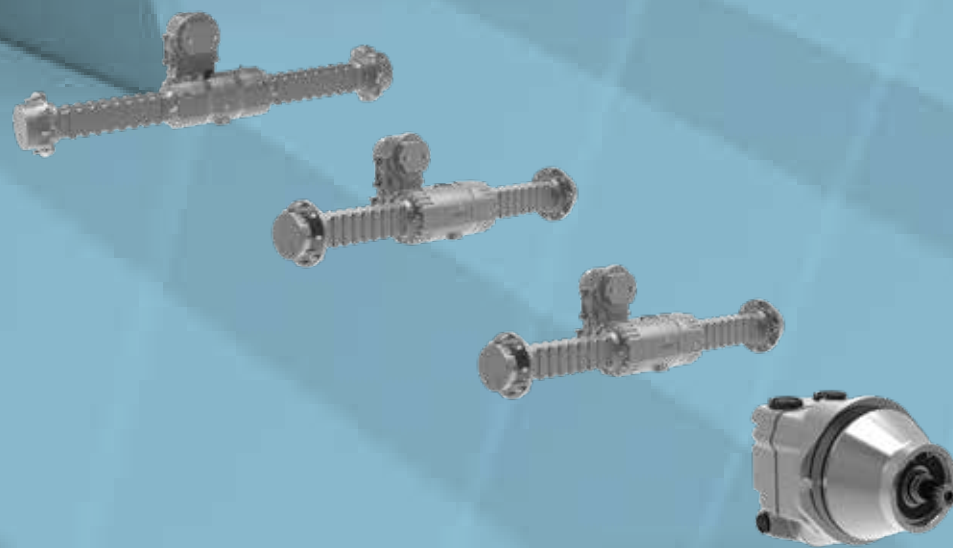
Conventional \ Electrified

4 WHEEL DRIVE

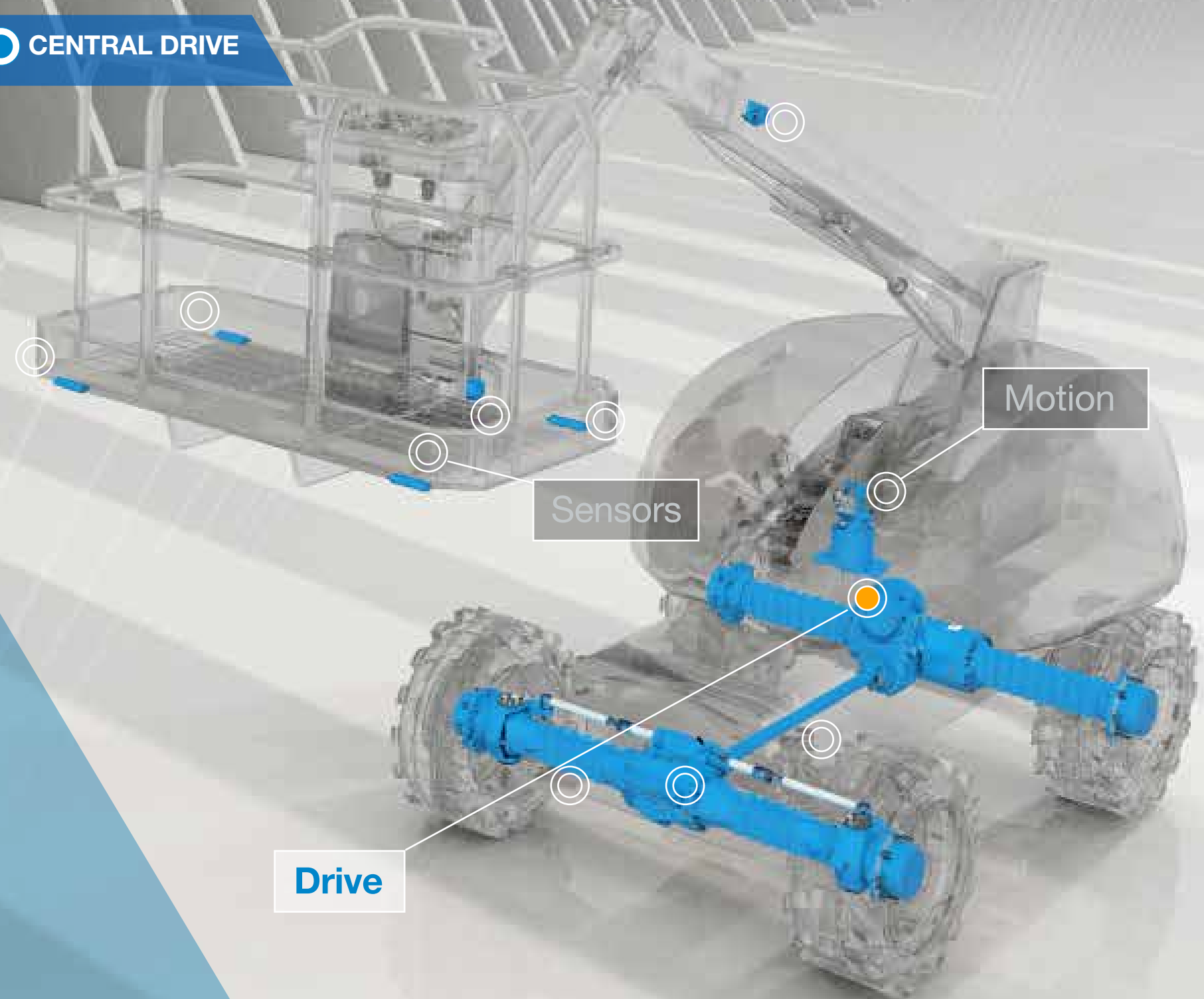
CENTRAL DRIVE

Drive \ Motion \ Sensors

Spicer® Rear axle 111, 112, 112HD with Spicer® 301 Dropbox and Brevini® Hydraulic Motor B5VR Series



Platform Size	Small	Medium	Large
Working Height [m]	9 to 16	18 to 21	22 to 30
Working Weight [ton]	up to 8	8 to 12	12 to 17
Spicer® Rear axle	211	212	212HD
Dropbox	301	301	301
Brevini® Hydraulic Motor	B5VR38	B5VR38	2X B5VR38



Articulated Boom

Telescopic Boom

Slab Scissor

RT Scissor

Conventional \ Electrified

4 WHEEL DRIVE

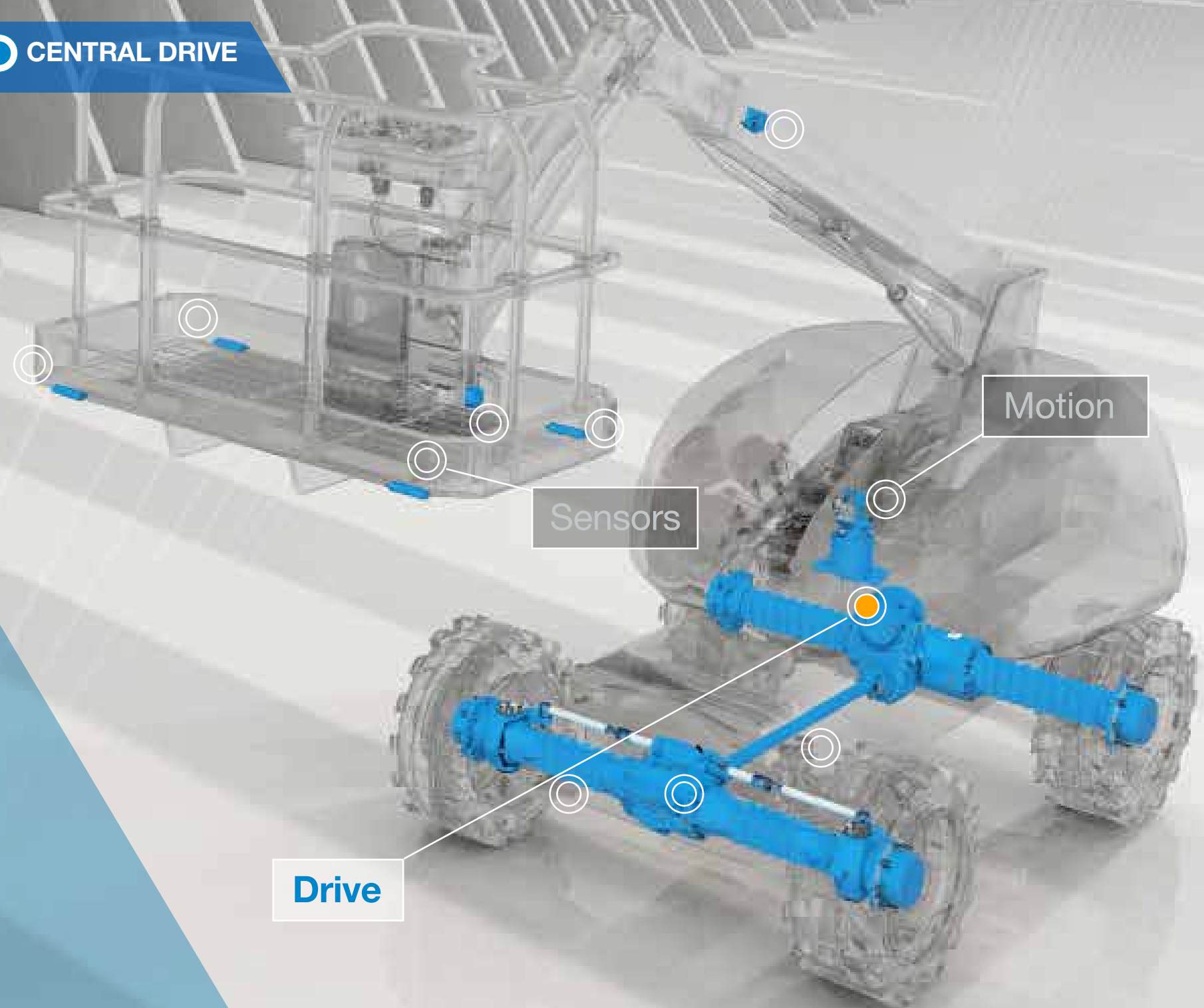
CENTRAL DRIVE

Drive \ Motion \ Sensors

Key features and benefits

- Planetary rigid axles, based on modular axle, driven by hydraulic motor
- Available in a variety of configurations and ratios
- Single speed dropbox directly flanged to Spicer® axles, designed to enhance vehicle mobility and allow for quick deployment from worksite to worksite
- Optimized NVH and efficiency

Platform Size	Small	Medium	Large
Working Height [m]	9 to 16	18 to 21	22 to 30
Working Weight [ton]	up to 8	8 to 12	12 to 17
Spicer® Rear axle	211	212	212HD
Dropbox	301	301	301
Brevini® Hydraulic Motor	B5VR38	B5VR38	2X B5VR38



Articulated Boom

Telescopic Boom

Slab Scissor

RT Scissor

Conventional \ Electrified

4 WHEEL DRIVE

CENTRAL DRIVE

Drive \ Motion \ Sensors

Key features and benefits

- Four-wheel drive engagement
- Optional electromagnetic spring applied parking brake
- Integrated Brevini® Hydraulic Motor B5VR designed for maximum efficiency and smooth functioning
- Multiple displacements available
- Speed sensor with null speed signal

Platform Size	Small	Medium	Large
Working Height [m]	9 to 16	18 to 21	22 to 30
Working Weight [ton]	up to 8	8 to 12	12 to 17
Spicer® Rear axle	211	212	212HD
Dropbox	301	301	301
Brevini® Hydraulic Motor	B5VR38	B5VR38	2X B5VR38



Articulated Boom

Telescopic Boom

Slab Scissor

RT Scissor

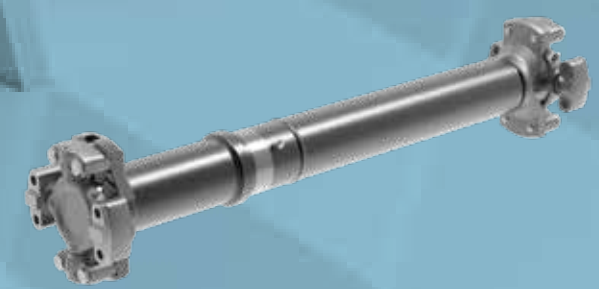
Conventional \ Electrified

4 WHEEL DRIVE

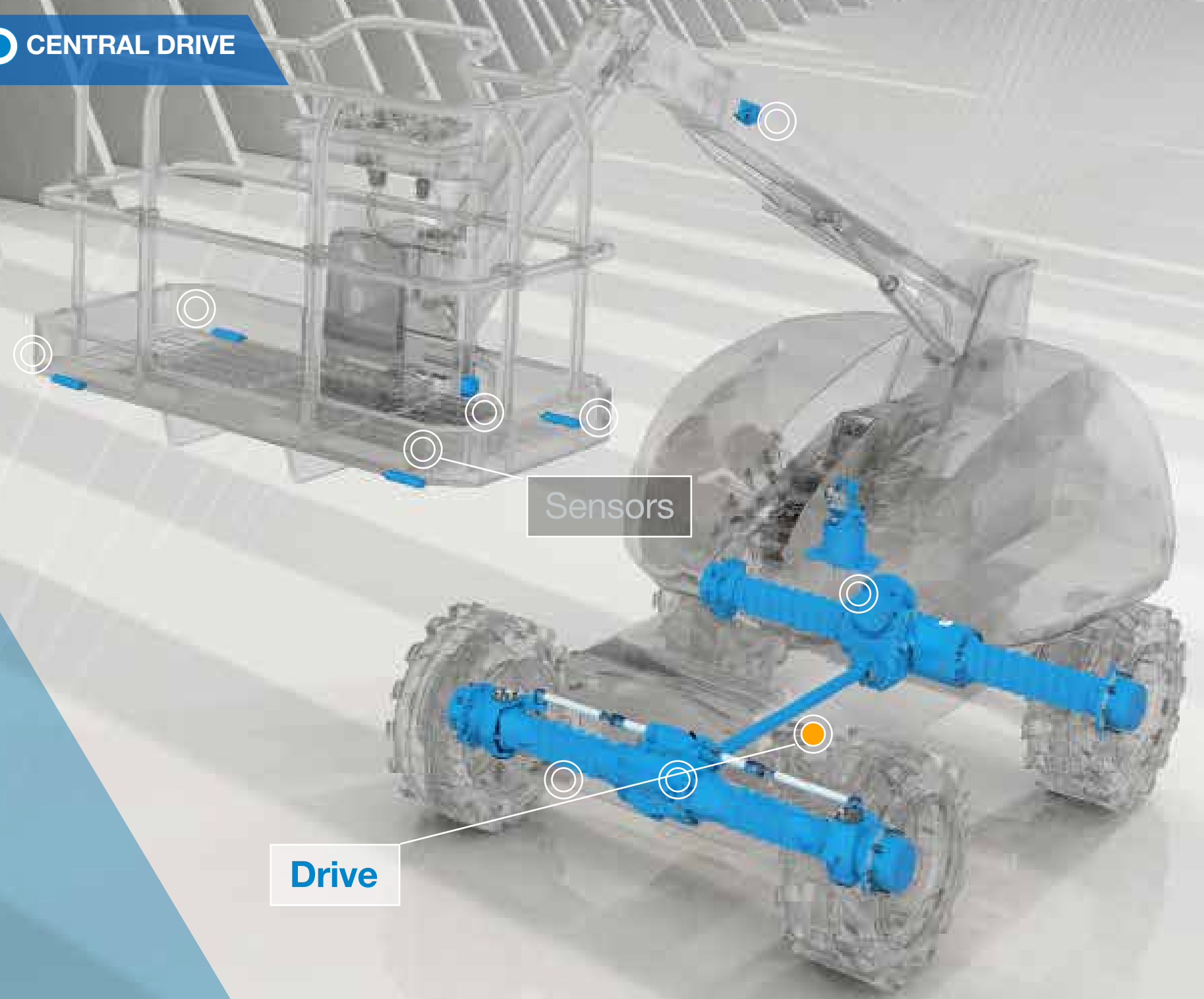
CENTRAL DRIVE

Drive \ Motion \ Sensors

Spicer® Driveshaft 10 Series



Platform Size	Small	Medium	Large
Working Height [m]	9 to 16	18 to 21	22 to 30
Working Weight [ton]	up to 8	8 to 12	12 to 17
Spicer® Driveshaft	10 Series	10 Series	10 Series



Articulated Boom

Telescopic Boom

Slab Scissor

RT Scissor

Conventional \ Electrified

4 WHEEL DRIVE

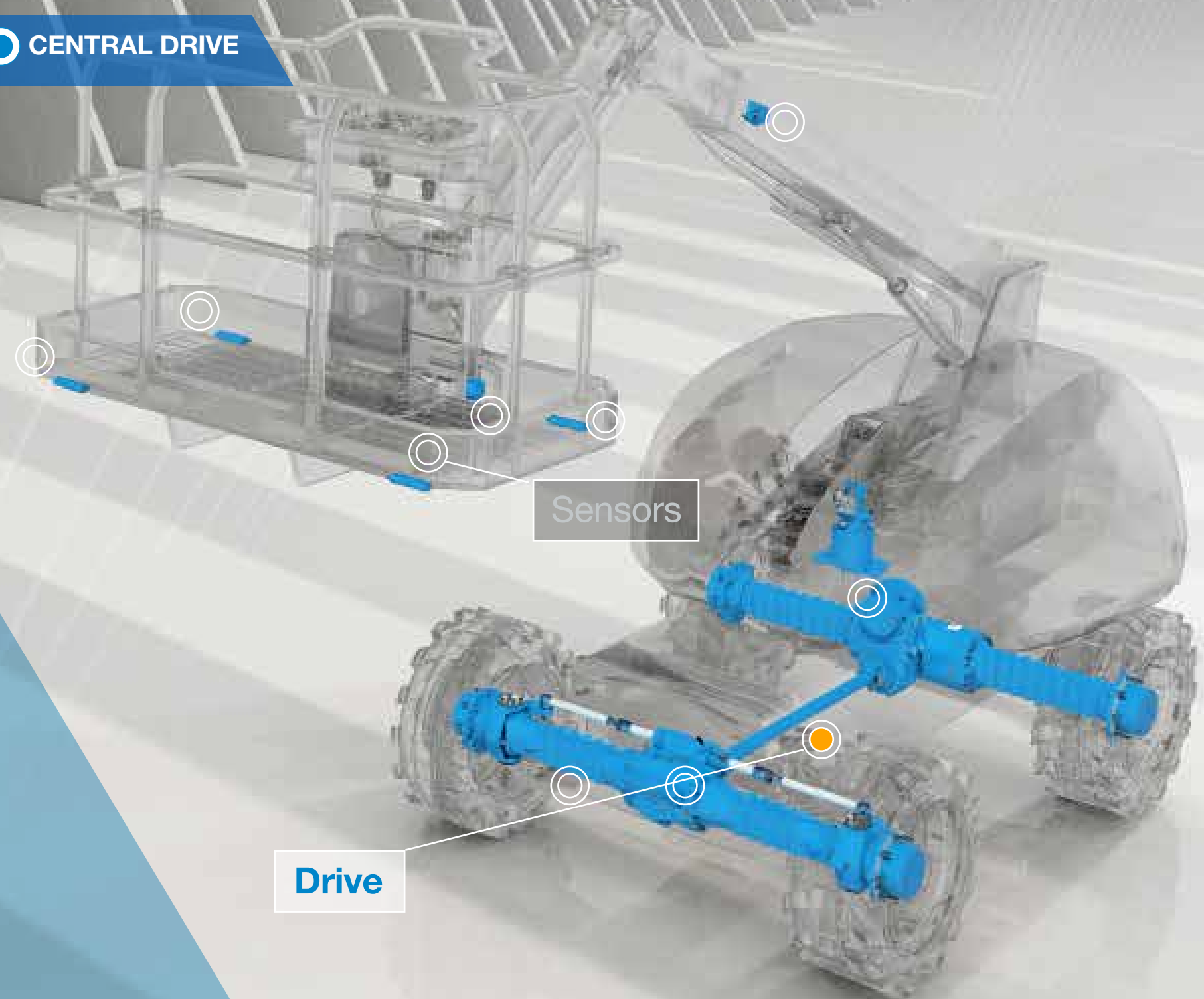
CENTRAL DRIVE

Drive \ Motion \ Sensors

Key features and benefits

- Extended Spline Life
- Reduced Thrust Load under Pressure
- Lower Friction under Load
- Superior Needle Bearing Retention
- Easy to Service Universal Joints
- Extended or Permanent Lubrication available on request

Platform Size	Small	Medium	Large
Working Height [m]	9 to 16	18 to 21	22 to 30
Working Weight [ton]	up to 8	8 to 12	12 to 17
Spicer® Driveshaft	10 Series	10 Series	10 Series



Articulated Boom

Telescopic Boom

Slab Scissor

RT Scissor

Conventional \ Electrified

4 WHEEL DRIVE

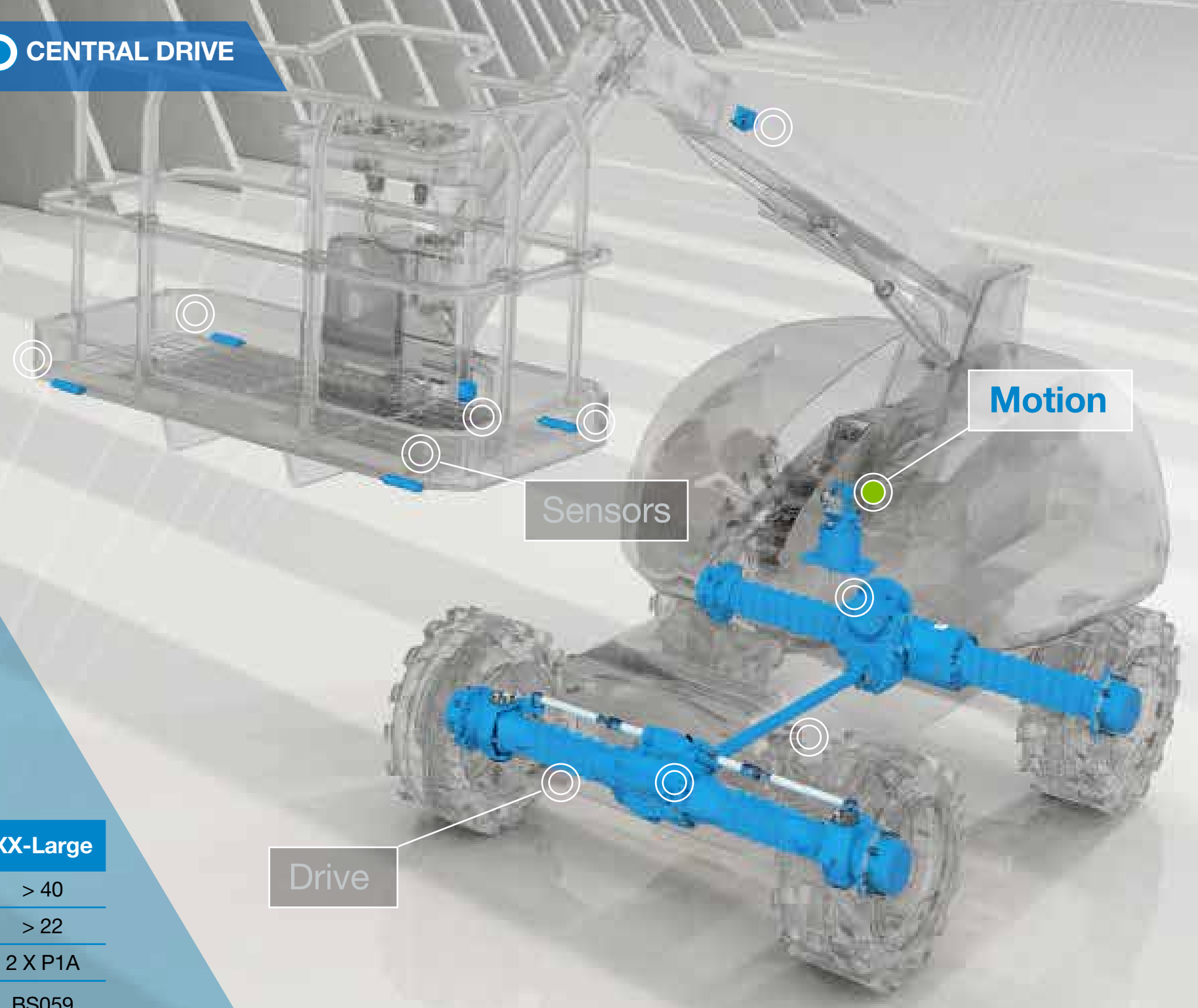
CENTRAL DRIVE

Drive \ [Motion](#) \ Sensors

Brevini® Slew Drive P Series with Brevini® Orbital Motor BS Series



Platform Size	Small	Medium	Large	X-Large	XX-Large
Working Height [m]	9 to 16	18 to 21	22 to 30	32 to 40	> 40
Working Weight [ton]	up to 8	8 to 12	12 to 17	17 to 22	> 22
Brevini® Slew Drive	Only motor	P1A	P1A	2 X P1A	2 X P1A
Brevini® Hydraulic Motor	BS130	BS059	BS059	BS059	BS059



Articulated Boom

Telescopic Boom

Slab Scissor

RT Scissor

Conventional \ Electrified

4 WHEEL DRIVE

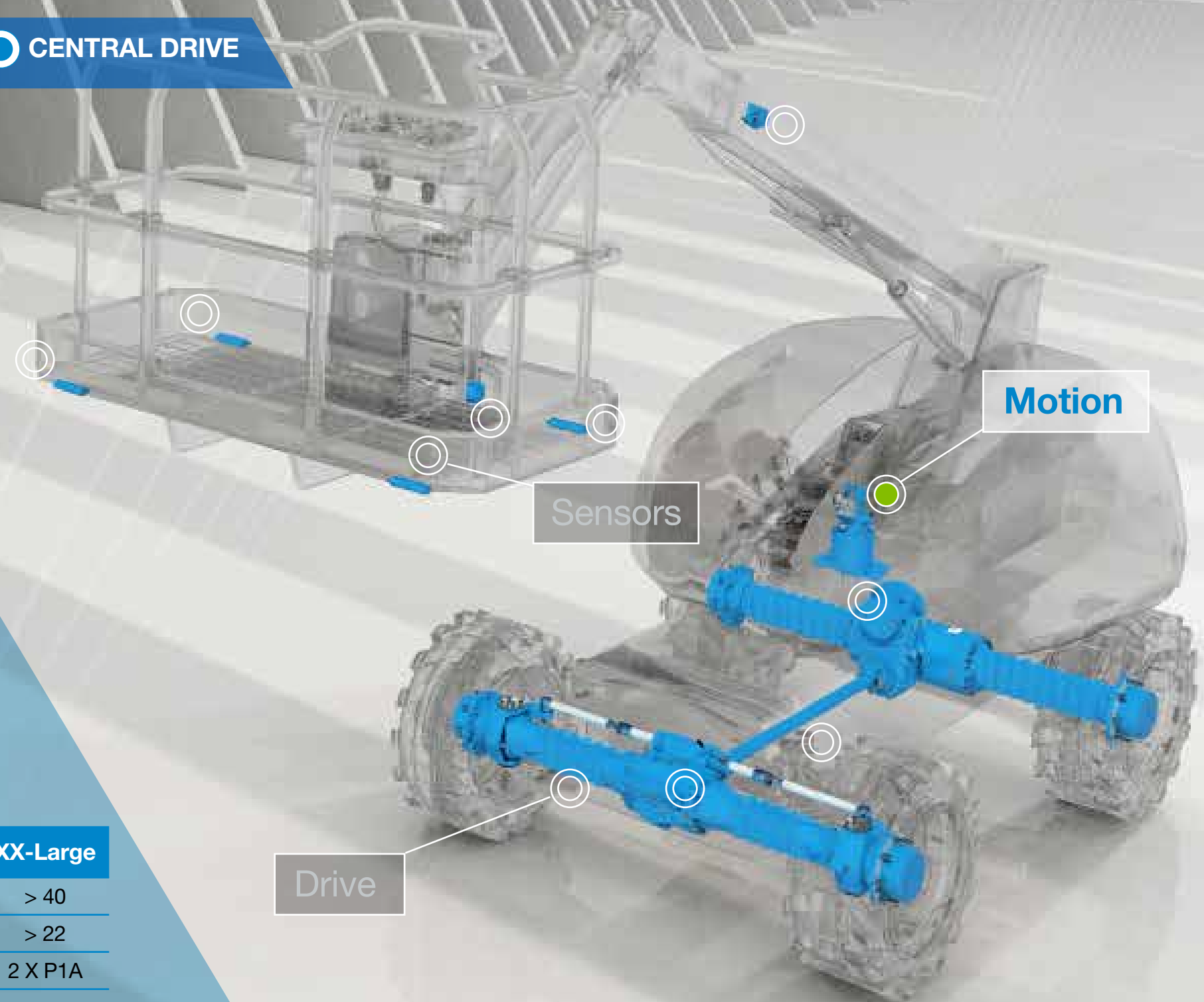
CENTRAL DRIVE

Drive \ [Motion](#) \ Sensors

Key features and benefits

- Complete solution with hydraulic orbital motor BS Series offering all-in-one solution for slew drives
- Plug and play assembly complete with lifting lugs
- 2-stage reduction with multiple ratios available
- Many pinion options available, custom pinion upon request

Platform Size	Small	Medium	Large	X-Large	XX-Large
Working Height [m]	9 to 16	18 to 21	22 to 30	32 to 40	> 40
Working Weight [ton]	up to 8	8 to 12	12 to 17	17 to 22	> 22
Brevini® Slew Drive	Only motor	P1A	P1A	2 X P1A	2 X P1A
Brevini® Hydraulic Motor	BS130	BS059	BS059	BS059	BS059



Articulated Boom

Telescopic Boom

Slab Scissor

RT Scissor

Conventional \ Electrified

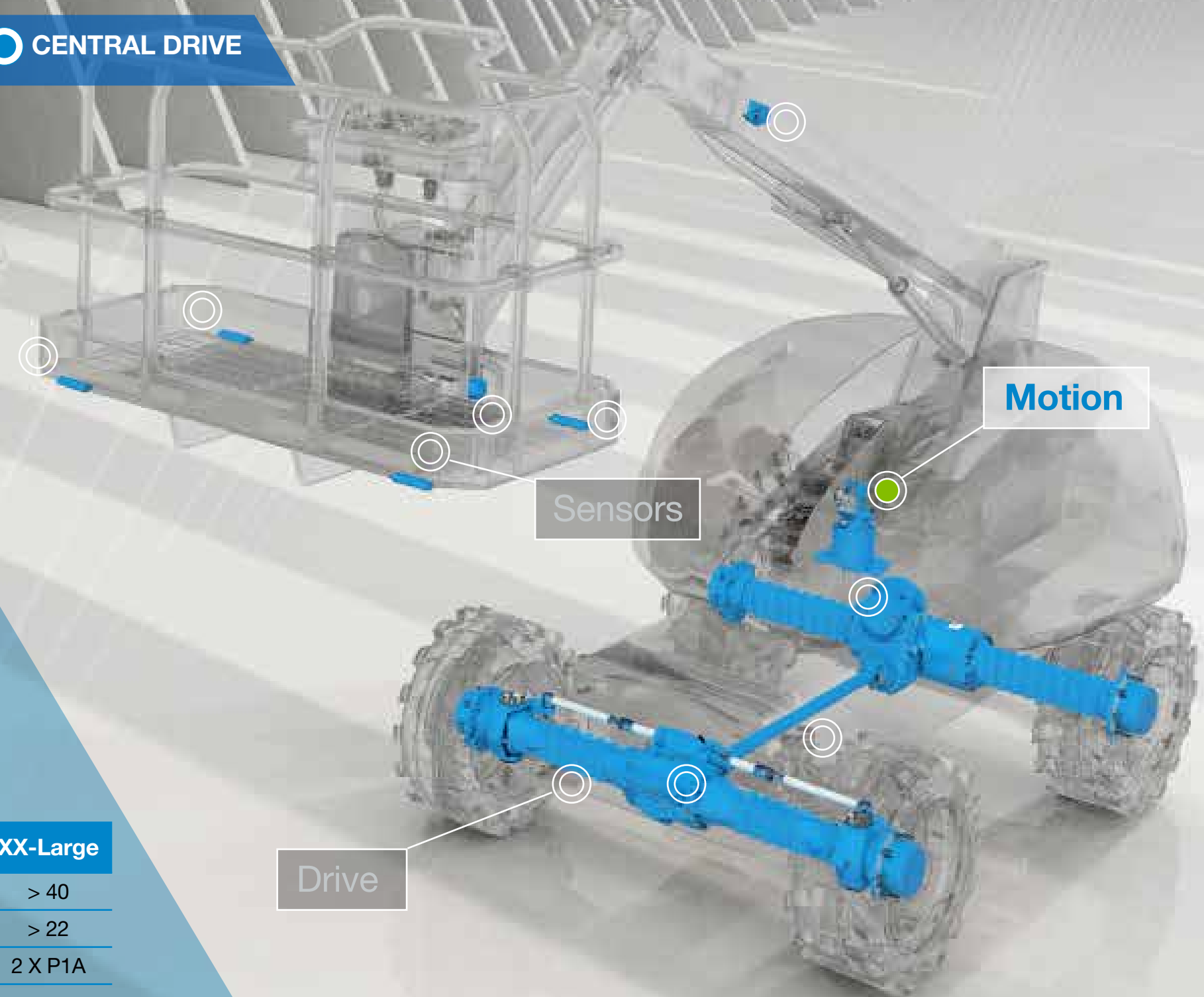
⊙ 4 WHEEL DRIVE

⊙ **CENTRAL DRIVE**

Drive \ Motion \ Sensors

Key features and benefits

- Spring applied, hydraulically released holding brake
- Convenient backlash adjustment feature between pinion and slew bearing
- Orbital Motor with High-performance roller for improved efficiency and life
- Counterbalance valve included with various pressure and pilot setting available



Platform Size	Small	Medium	Large	X-Large	XX-Large
Working Height [m]	9 to 16	18 to 21	22 to 30	32 to 40	> 40
Working Weight [ton]	up to 8	8 to 12	12 to 17	17 to 22	> 22
Brevini® Slew Drive	Only motor	P1A	P1A	2 X P1A	2 X P1A
Brevini® Hydraulic Motor	BS130	BS059	BS059	BS059	BS059



Articulated Boom

Telescopic Boom

Slab Scissor

RT Scissor

Conventional \ Electrified

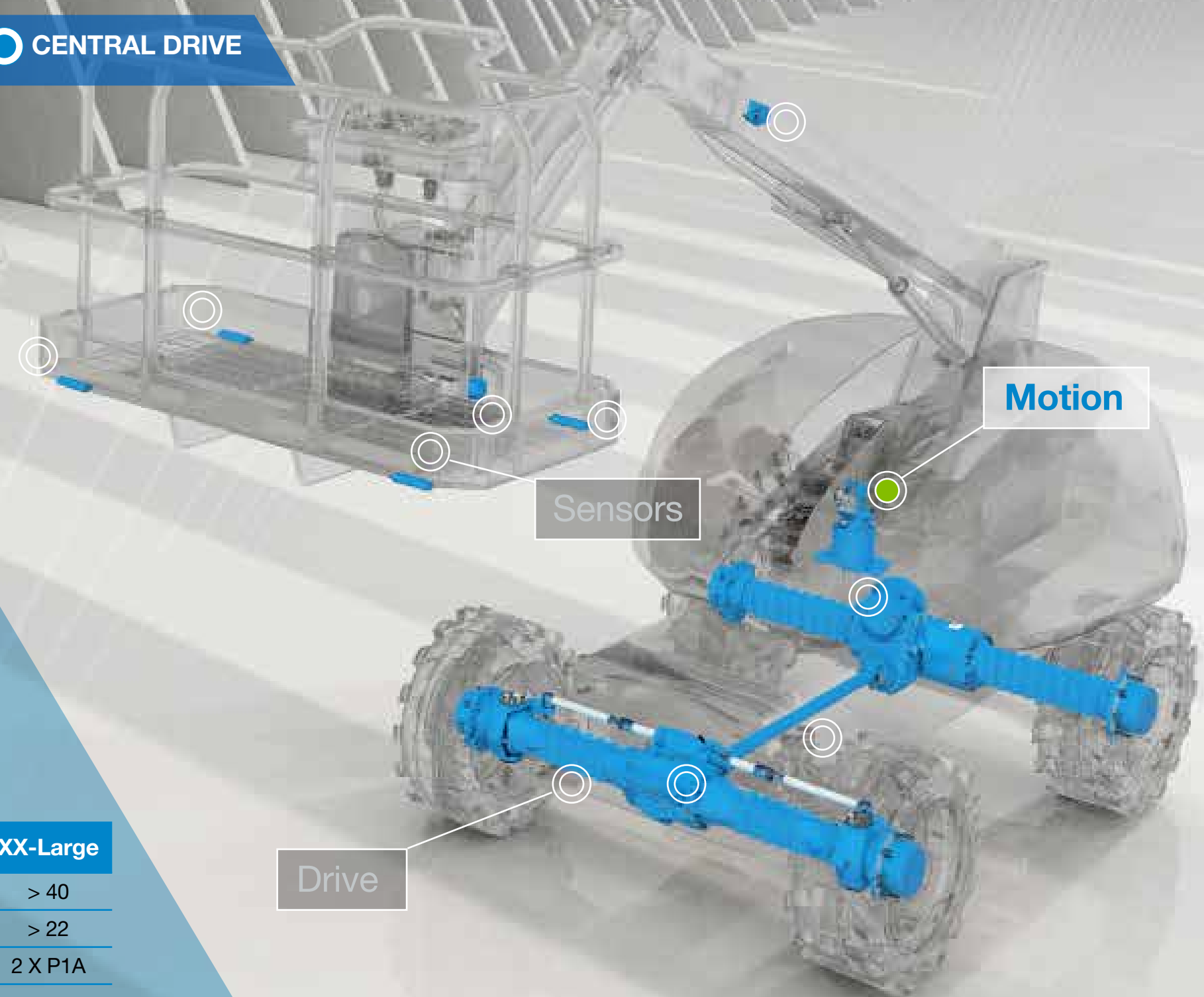
4 WHEEL DRIVE

CENTRAL DRIVE

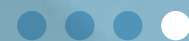
Drive \ Motion \ Sensors

Key features and benefits

- Built in check valves to relieve case pressure to the low-pressure side of the motor.
- Orbital Motor with spool valve integrated in the output shaft with optimized geometry to minimize leakage



Platform Size	Small	Medium	Large	X-Large	XX-Large
Working Height [m]	9 to 16	18 to 21	22 to 30	32 to 40	> 40
Working Weight [ton]	up to 8	8 to 12	12 to 17	17 to 22	> 22
Brevini® Slew Drive	Only motor	P1A	P1A	2 X P1A	2 X P1A
Brevini® Hydraulic Motor	BS130	BS059	BS059	BS059	BS059



Articulated Boom

Telescopic Boom

Slab Scissor

RT Scissor

Conventional \ Electrified

⦿ 4 WHEEL DRIVE

⦿ CENTRAL DRIVE

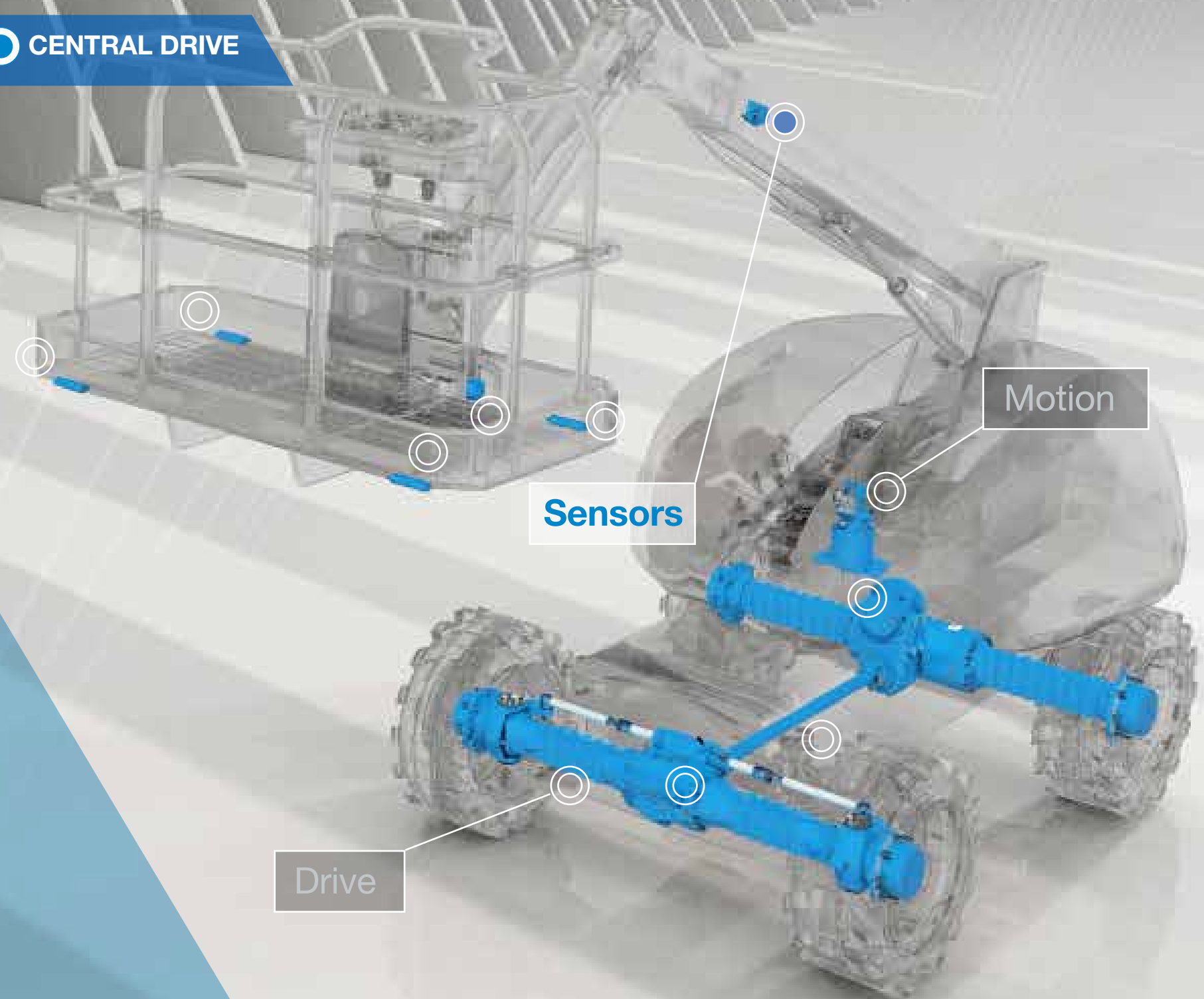
Drive \ Motion \ [Sensors](#)

Brevini® electronic sensors
Boom Extension Transducer



Key features and benefits

- Waterproof robust and compact body
- 1 or 2 axis integrated inclinometer available
- Dual\redundant outputs available for PLd EN13849 safety systems
- Length up to 12.5 meter



Articulated Boom

Telescopic Boom

Slab Scissor

RT Scissor

Conventional \ Electrified

4 WHEEL DRIVE

CENTRAL DRIVE

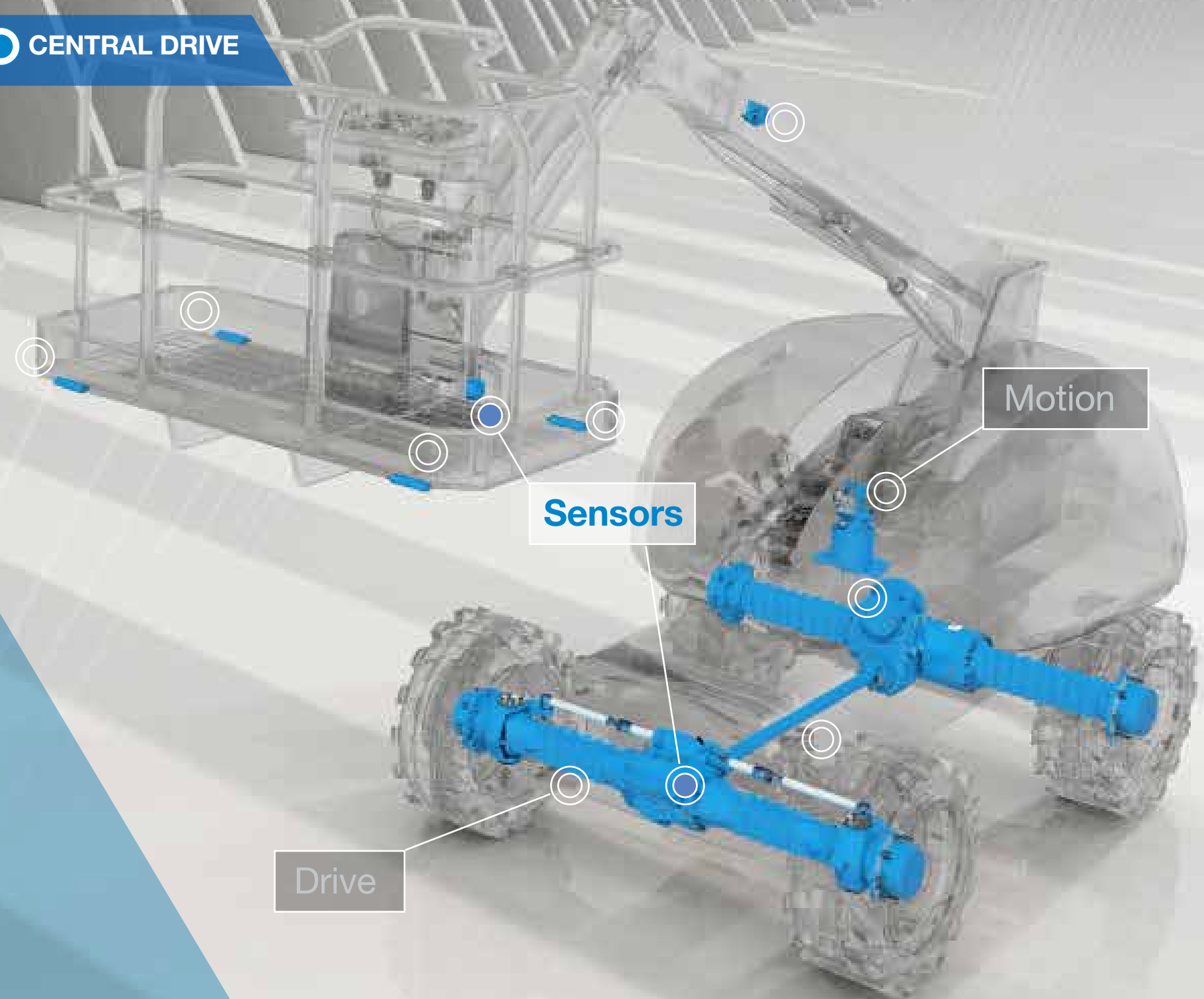
Drive \ Motion \ [Sensors](#)

Brevini® electronic sensors
Digital Inclinator



Key features and benefits

- Waterproof robust plastic body
- 1 or 2 axis measurement
- Dual/redundant outputs available for PLd EN13849 safety systems
- Optional thermal compensation available



Articulated Boom

Telescopic Boom

Slab Scissor

RT Scissor

Conventional \ Electrified

4 WHEEL DRIVE

CENTRAL DRIVE

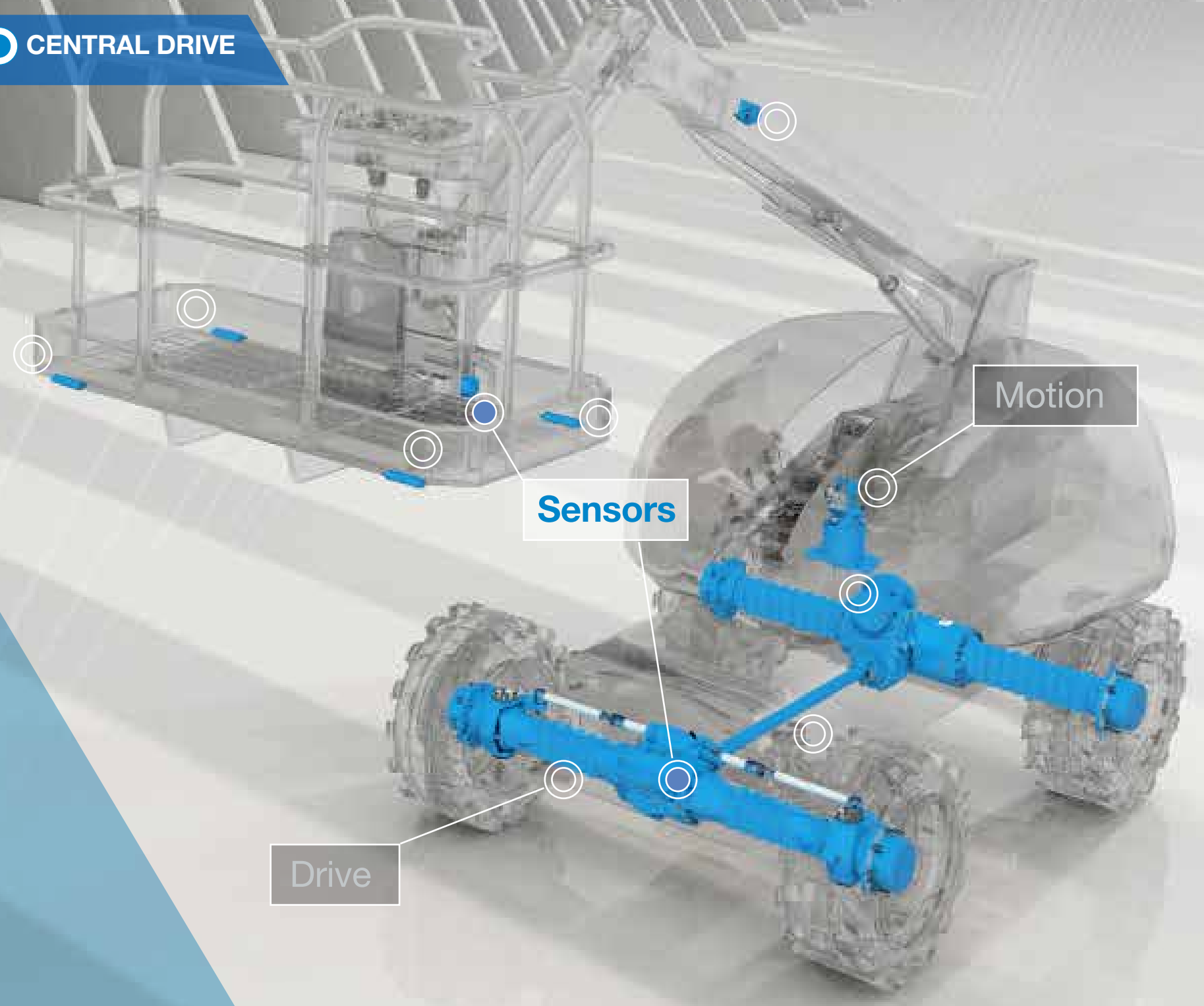
Drive \ Motion \ [Sensors](#)

Brevini® electronic sensors
Digital Inclinator



Key features and benefits

- Customizable signal filtration
- Customizable hardness on demand



Articulated Boom

Telescopic Boom

Slab Scissor

RT Scissor

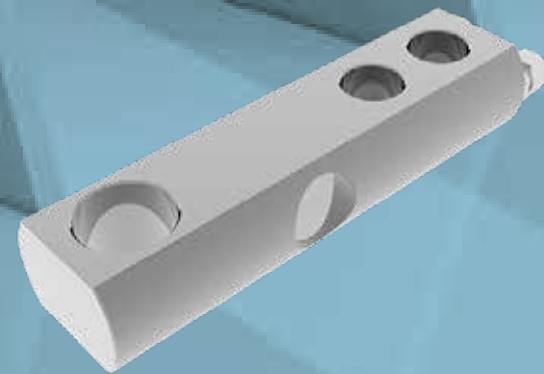
Conventional \ Electrified

⊙ 4 WHEEL DRIVE

○ CENTRAL DRIVE

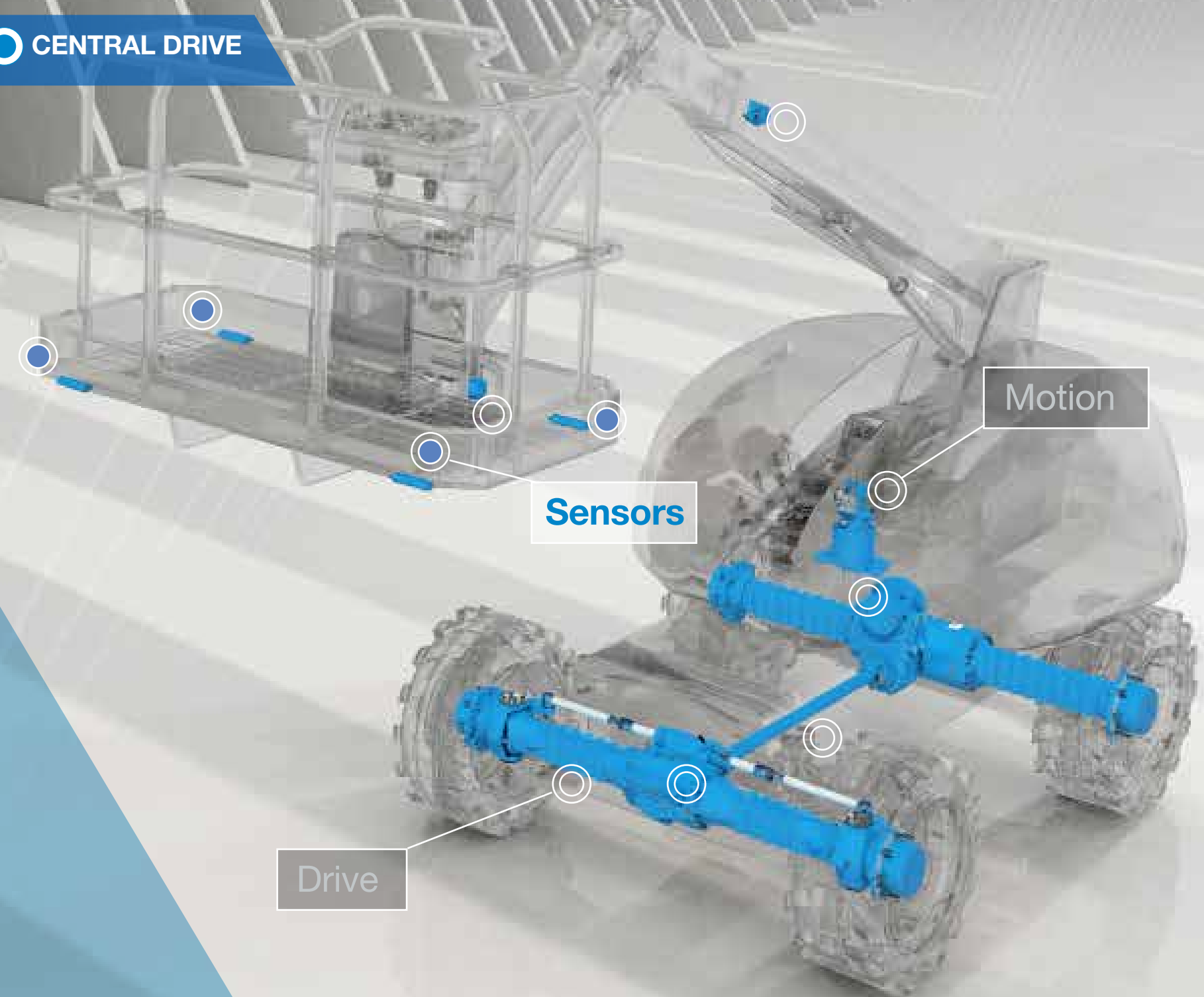
Drive \ Motion \ [Sensors](#)

Brevini® electronic sensors
Load Sensor



Key features and benefits

- Waterproof robust and compact body
- Dual\Redundant output available for PLd EN13849 safety systems
- Optional thermal compensation available



Telescopic Boom

Conventional \ **Electrified**

4 Wheel Drives

Propelling machines with two or four individual compact wheel drives that combine Spicer Torque-Hub™ planetary gearboxes with Dana TM4™ electric motors to provide optimum traction control when working on a job site.

 **Discover**

Articulated Boom

Slab Scissor

RT Scissor

Central Drive

By combining Spicer® axles and centralized high efficiency gearboxes with Dana TM4™ electric motors. Our axle solutions can deliver the tractive effort required while maintaining axle supported machine designs.

 **Discover**

Telescopic Boom

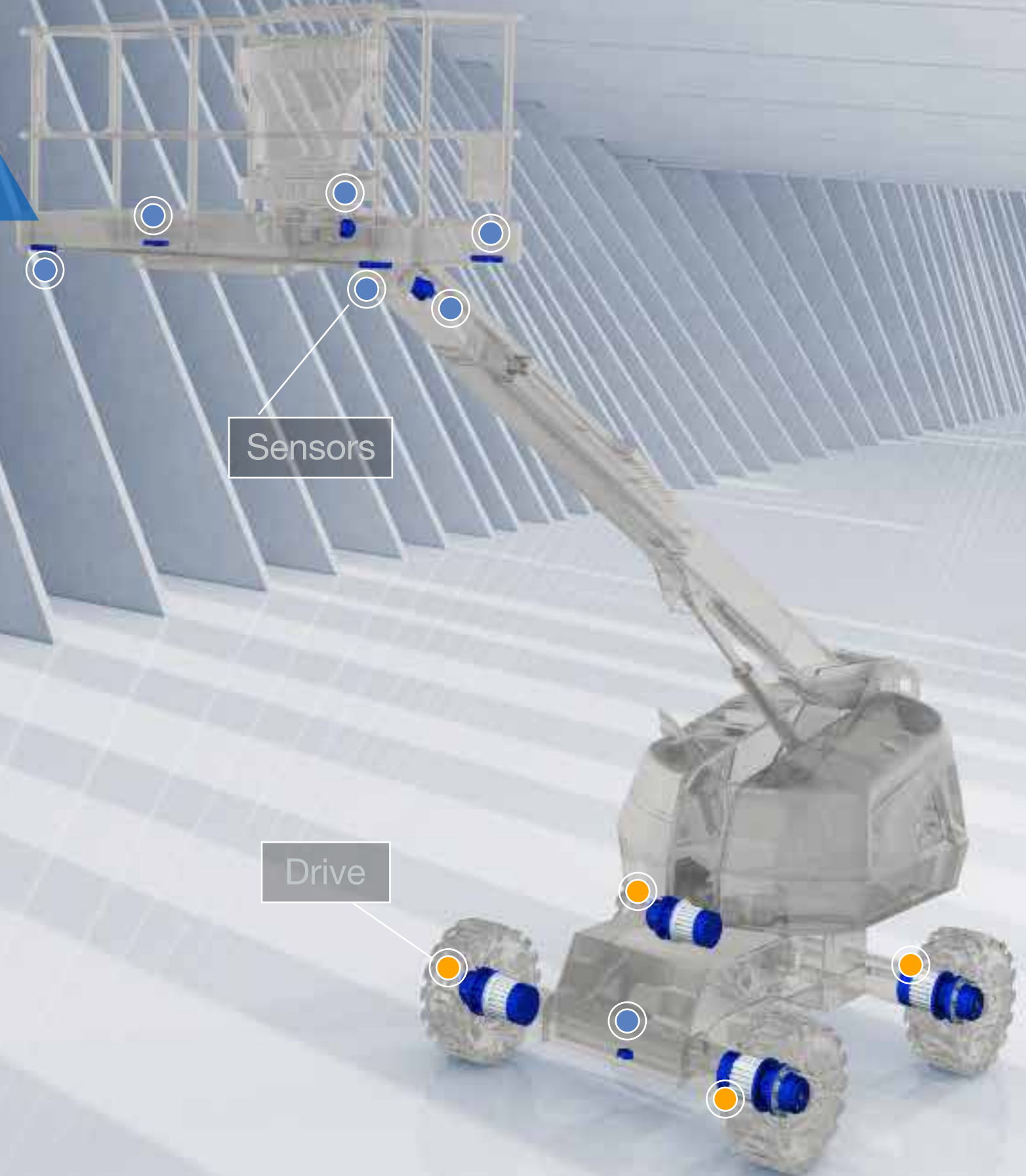
Articulated Boom

Slab Scissor

RT Scissor

Conventional \ **Electrified**

4 WHEEL DRIVE CENTRAL DRIVE



An electro-mechanical system solution for [drive](#), with electronic [sensors](#), for greater efficiency with less size and weight and long-life performance.

Telescopic Boom

Articulated Boom

Slab Scissor

RT Scissor

Conventional \ **Electrified**

4 WHEEL DRIVE

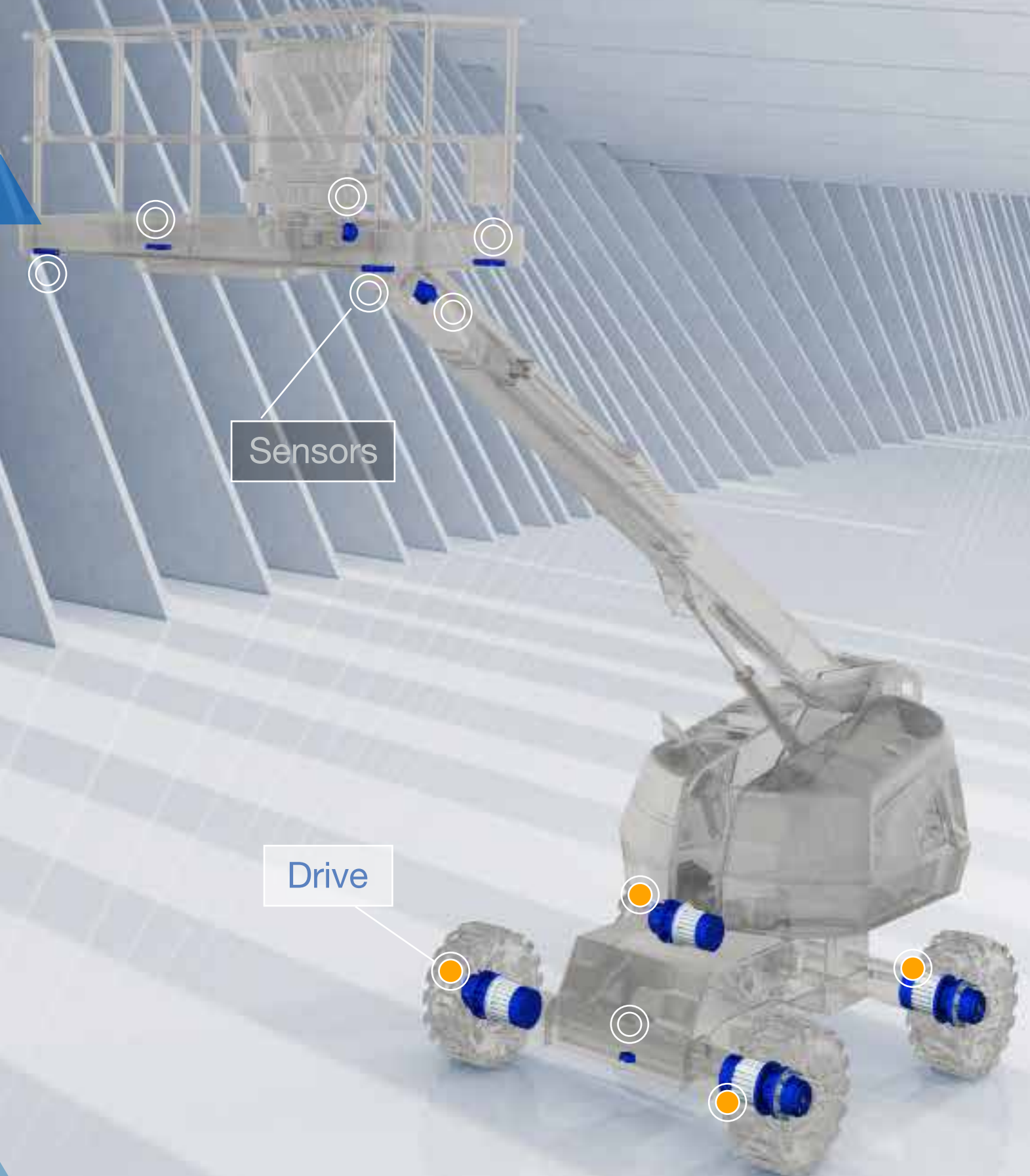
CENTRAL DRIVE

Drive \ Sensors

Spicer Electrified™
e-Drive Torque Hub eSAW Series



Platform Size	Small	Medium	Large	X-Large	XX-Large
Working Height [m]	9 to 16	18 to 21	22 to 30	32 to 40	> 40
Working Weight [ton]	up to 8	8 to 12	12 to 17	17 to 22	> 22
e-Drive Torque Hub	eSAW04	eSAW07	eSAW13	eSAW13	eSAW17
Dana TM4™	200-33	200-50	200-50	200-50	TBD



Sensors

Drive

Telescopic Boom

Articulated Boom

Slab Scissor

RT Scissor

Conventional \ **Electrified**

4 WHEEL DRIVE

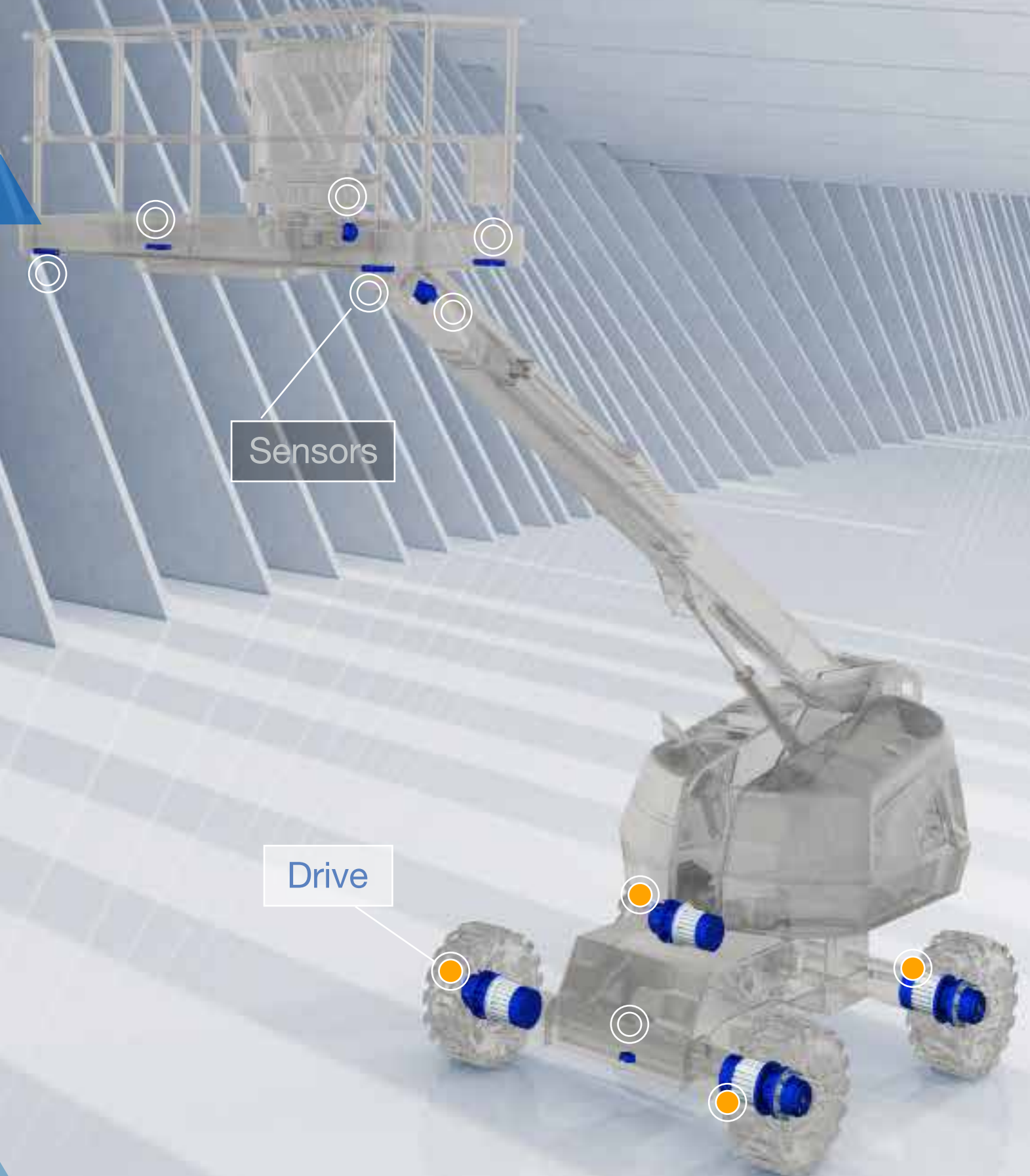
CENTRAL DRIVE

Drive \ Sensors

Key features and benefits

- 4 sizes with torque outputs from 4kNm to 17kNm engineered to fulfill industry targets for performance, serviceability and durability
- Improves the performance of e-boom lifts with hybrid and fully electric drive systems
- Fully integrated electro-mechanical system
- Internal integrated electric parking brake design for maximum holding power

Platform Size	Small	Medium	Large	X-Large	XX-Large
Working Height [m]	9 to 16	18 to 21	22 to 30	32 to 40	> 40
Working Weight [ton]	up to 8	8 to 12	12 to 17	17 to 22	> 22
e-Drive Torque Hub	eSAW04	eSAW07	eSAW13	eSAW13	eSAW17
Dana TM4™	200-33	200-50	200-50	200-50	TBD



Telescopic Boom

Articulated Boom

Slab Scissor

RT Scissor

Conventional \ **Electrified**

4 WHEEL DRIVE

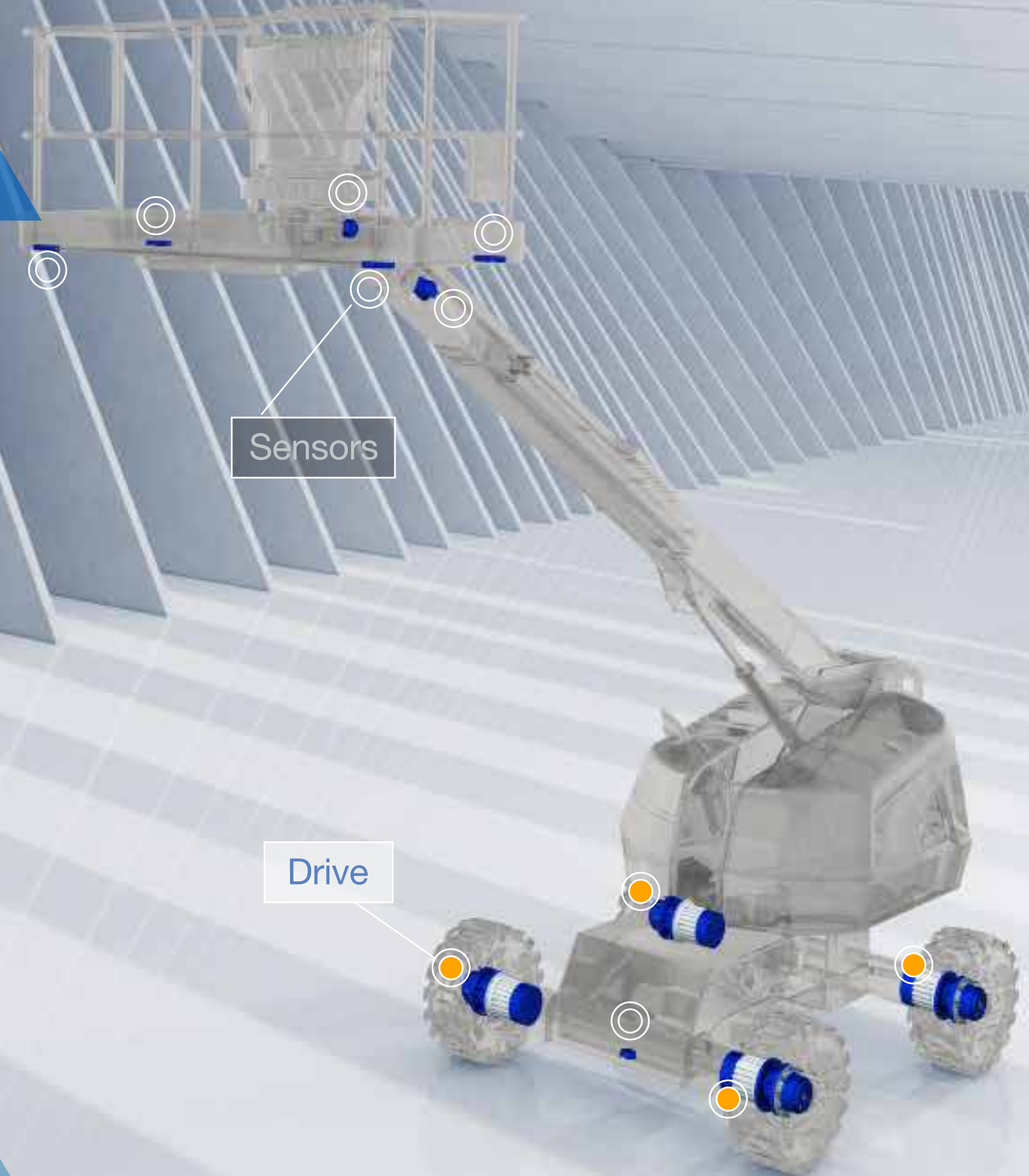
CENTRAL DRIVE

Drive \ Sensors

Key features and benefits

- Dana TM4™ IPM and ACIM Integrated advanced motor technologies for greater efficiency with compact size and weight
- Compact three-stage planetary gear design provides superior gradeability
- IP67 motor protection from environmental hazards
- Integrated motor options for design flexibility

Platform Size	Small	Medium	Large	X-Large	XX-Large
Working Height [m]	9 to 16	18 to 21	22 to 30	32 to 40	> 40
Working Weight [ton]	up to 8	8 to 12	12 to 17	17 to 22	> 22
e-Drive Torque Hub	eSAW04	eSAW07	eSAW13	eSAW13	eSAW17
Dana TM4™	200-33	200-50	200-50	200-50	TBD



Telescopic Boom

Articulated Boom

Slab Scissor

RT Scissor

Conventional \ **Electrified**

4 WHEEL DRIVE CENTRAL DRIVE

Drive \ Sensors

Brevini® electronic sensors
Boom Extension Transducer



Key features and benefits

- Waterproof robust and compact body
- 1 or 2 axis integrated inclinometer available
- Dual\redundant outputs available for PLd EN13849 safety systems
- Length up to 12.5 meter



Telescopic Boom

Articulated Boom

Slab Scissor

RT Scissor

Conventional \ **Electrified**

4 WHEEL DRIVE CENTRAL DRIVE

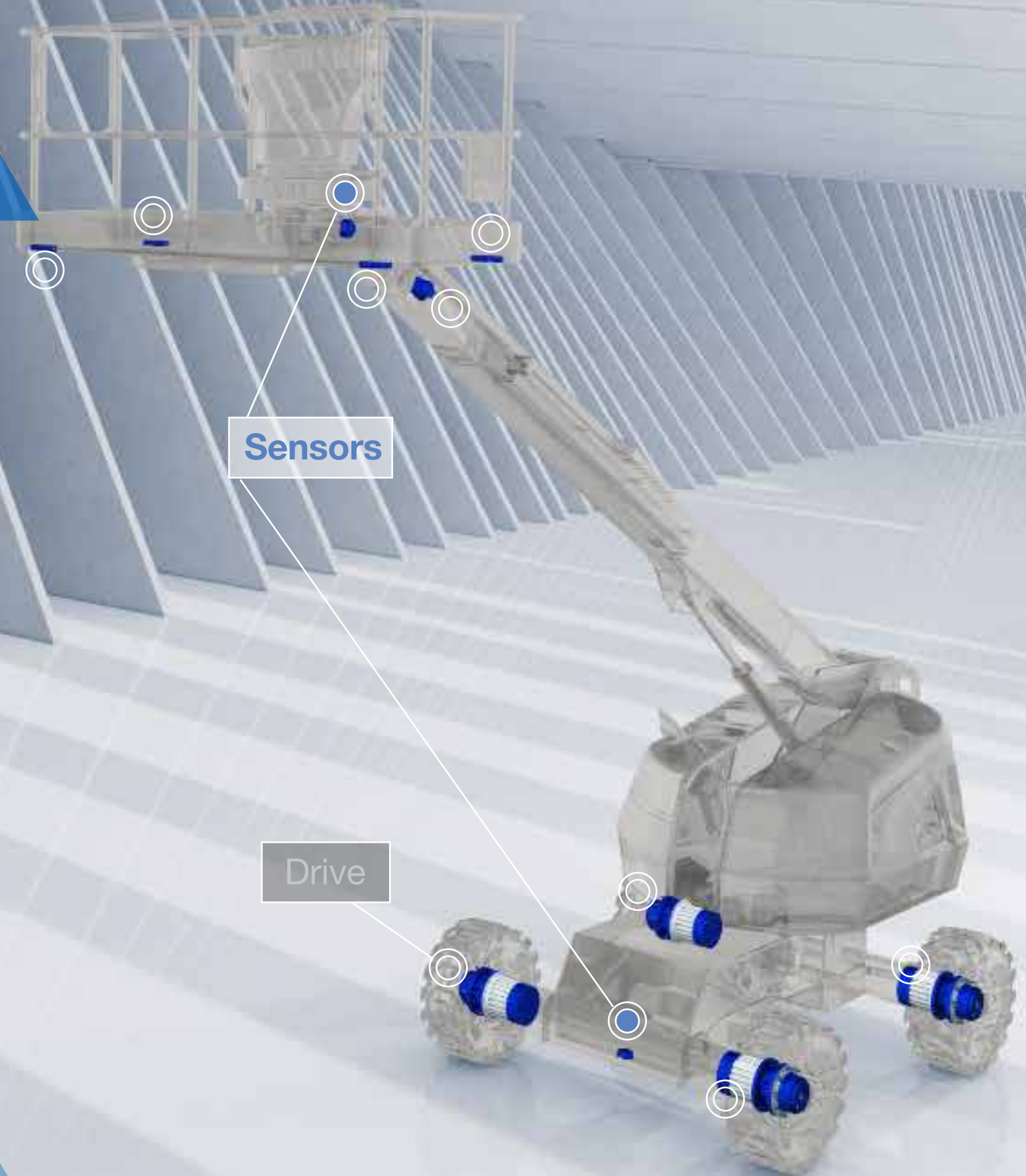
Drive \ **Sensors**

Brevini® electronic sensors
Digital Inclinator



Key features and benefits

- Waterproof robust plastic body
- 1 or 2 axis measurement
- Dual\redundant outputs available for PLd EN13849 safety systems
- Optional thermal compensation available



Telescopic Boom

Articulated Boom

Slab Scissor

RT Scissor

Conventional \ **Electrified**

4 WHEEL DRIVE CENTRAL DRIVE

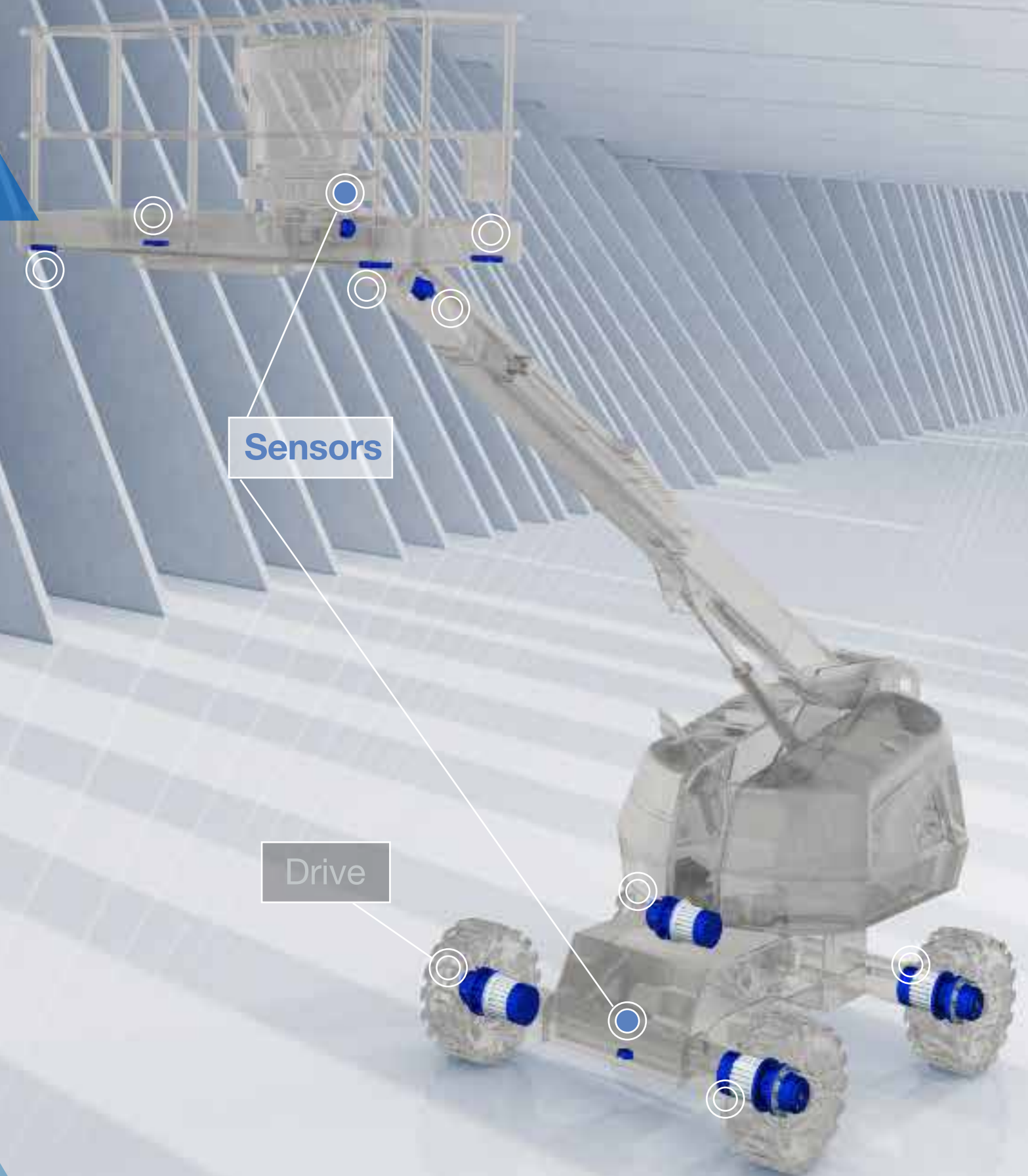
Drive \ Sensors

Brevini® electronic sensors
Digital Inclinator



Key features and benefits

- Customizable signal filtration
- Customizable hardness on demand



Telescopic Boom

Articulated Boom

Slab Scissor

RT Scissor

Conventional \ **Electrified**

4 WHEEL DRIVE CENTRAL DRIVE

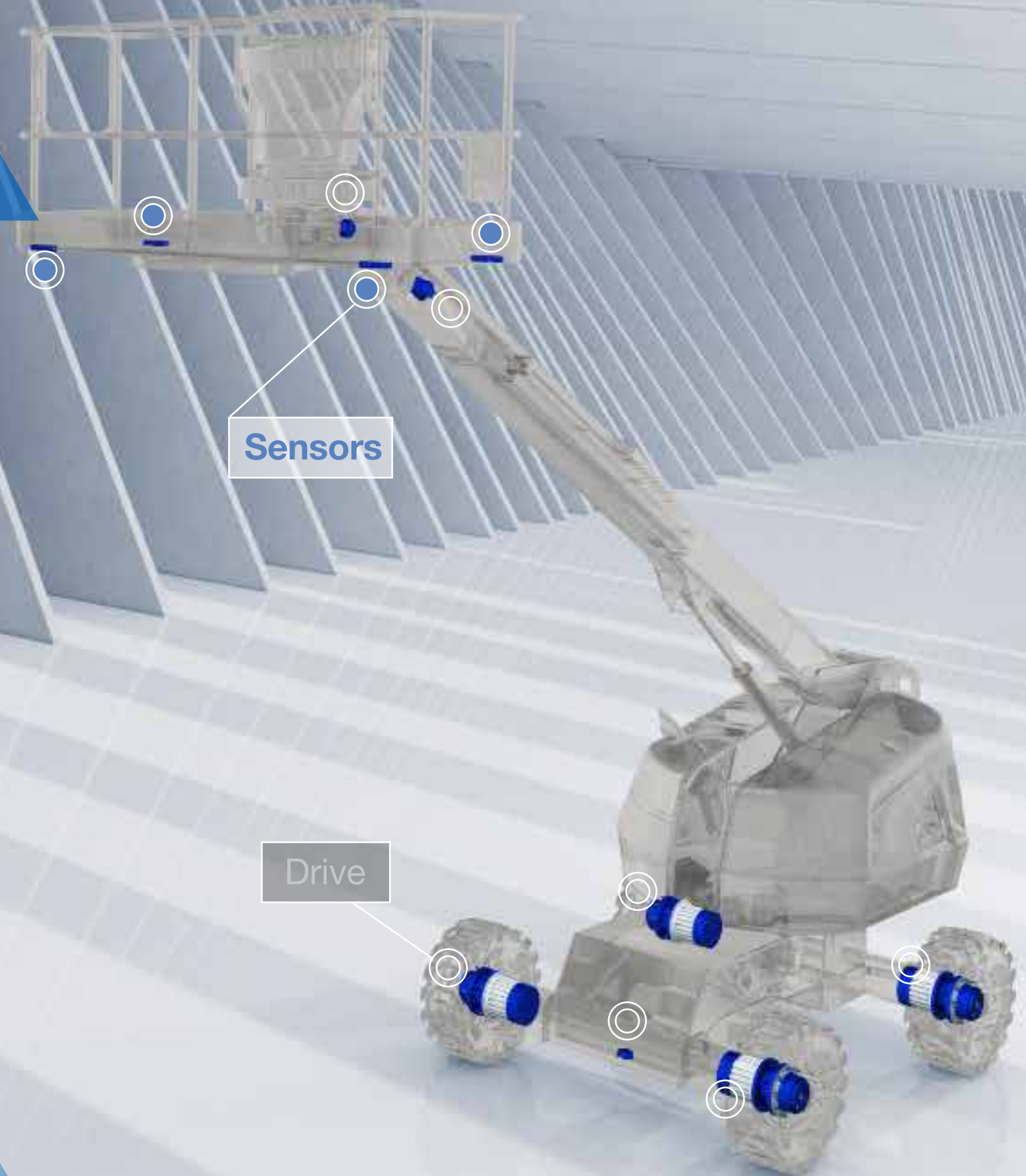
Drive \ **Sensors**

Brevini® electronic sensors
Load Sensor



Key features and benefits

- Waterproof robust and compact body
- Dual\Redundant output available for PLd EN13849 safety systems
- Optional thermal compensation available



Telescopic Boom

Conventional \ Electrified

4 Wheel Drives

Propelling machines with two or four individual compact wheel drives that combine Spicer Torque-Hub™ planetary gearboxes with Brevini® B5VR hydraulic motors to provide optimum traction control when working on a job site.

 **Discover**

Articulated Boom

Slab Scissor

RT Scissor

Central Drive

By combining Spicer® axles and centralized high efficiency gearboxes with Brevini® B5VR hydraulic motors. Our axle solutions can deliver the tractive effort required while maintaining axle supported machine designs.

 **Discover**

Telescopic Boom

Articulated Boom

Slab Scissor

RT Scissor

Conventional \ Electrified

4 WHEEL DRIVE CENTRAL DRIVE



A hydraulic system solution for [drive](#) and [motion](#), combined with electronic [sensors](#), for greater efficiency and performance.

Telescopic Boom

Articulated Boom

Slab Scissor

RT Scissor

Conventional \ Electrified

4 WHEEL DRIVE

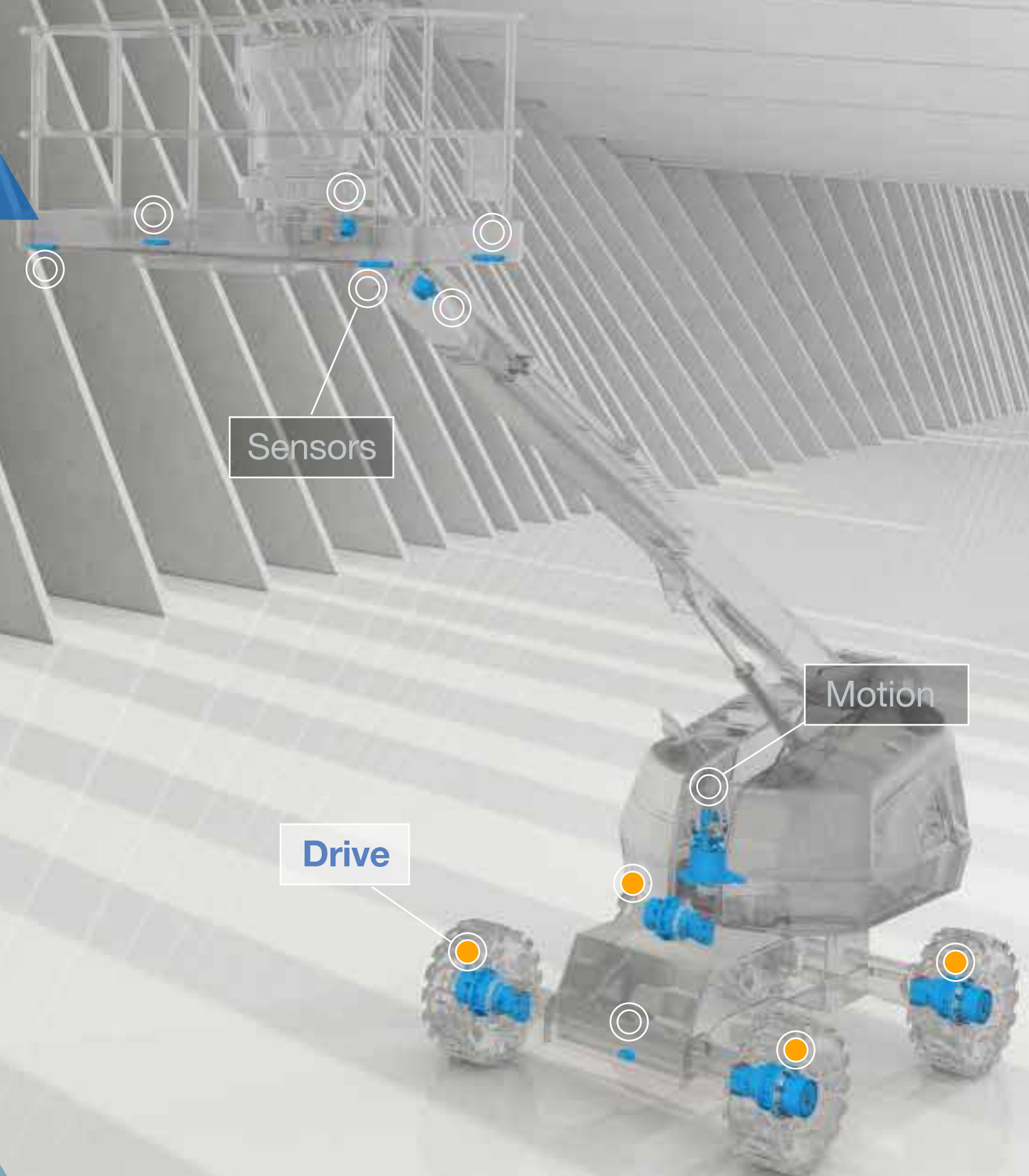
CENTRAL DRIVE

Drive \ Motion \ Sensors

Spicer Torque-Hub™
H Series Wheel Drive



Platform Size	Small	Medium	Large	X-Large	XX-Large
Working Height [m]	9 to 16	18 to 21	22 to 30	32 to 40	> 40
Working Weight [ton]	up to 8	8 to 12	12 to 17	17 to 22	> 22
Spicer Torque-Hub™	4H	7H	13H	18H	18H



Telescopic Boom

Articulated Boom

Slab Scissor

RT Scissor

Conventional \ Electrified

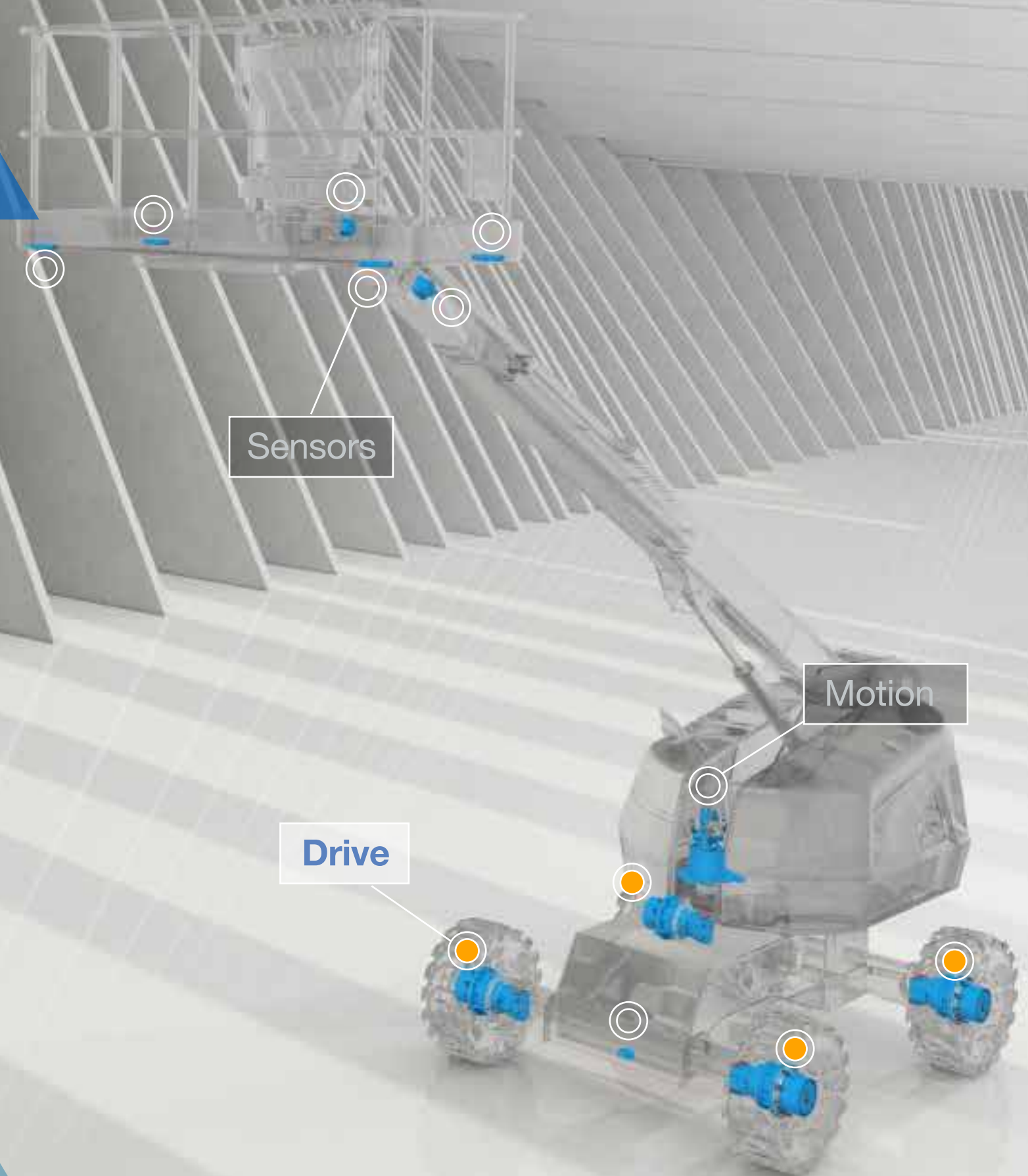
4 WHEEL DRIVE CENTRAL DRIVE

Drive \ Motion \ Sensors

Key features and benefits

- Product range engineered for best-In-class efficiency
- Torque ratings from 4kNm to 18kNm engineered to maximize efficiency and reliability
- Deliver exceptional maneuverability and proven robustness to final drive Pressure up to 420 bar
- Low maintenance requirements and easy to service

Platform Size	Small	Medium	Large	X-Large	XX-Large
Working Height [m]	9 to 16	18 to 21	22 to 30	32 to 40	> 40
Working Weight [ton]	up to 8	8 to 12	12 to 17	17 to 22	> 22
Spicer Torque-Hub™	4H	7H	13H	18H	18H



Telescopic Boom

Articulated Boom

Slab Scissor

RT Scissor

Conventional \ Electrified

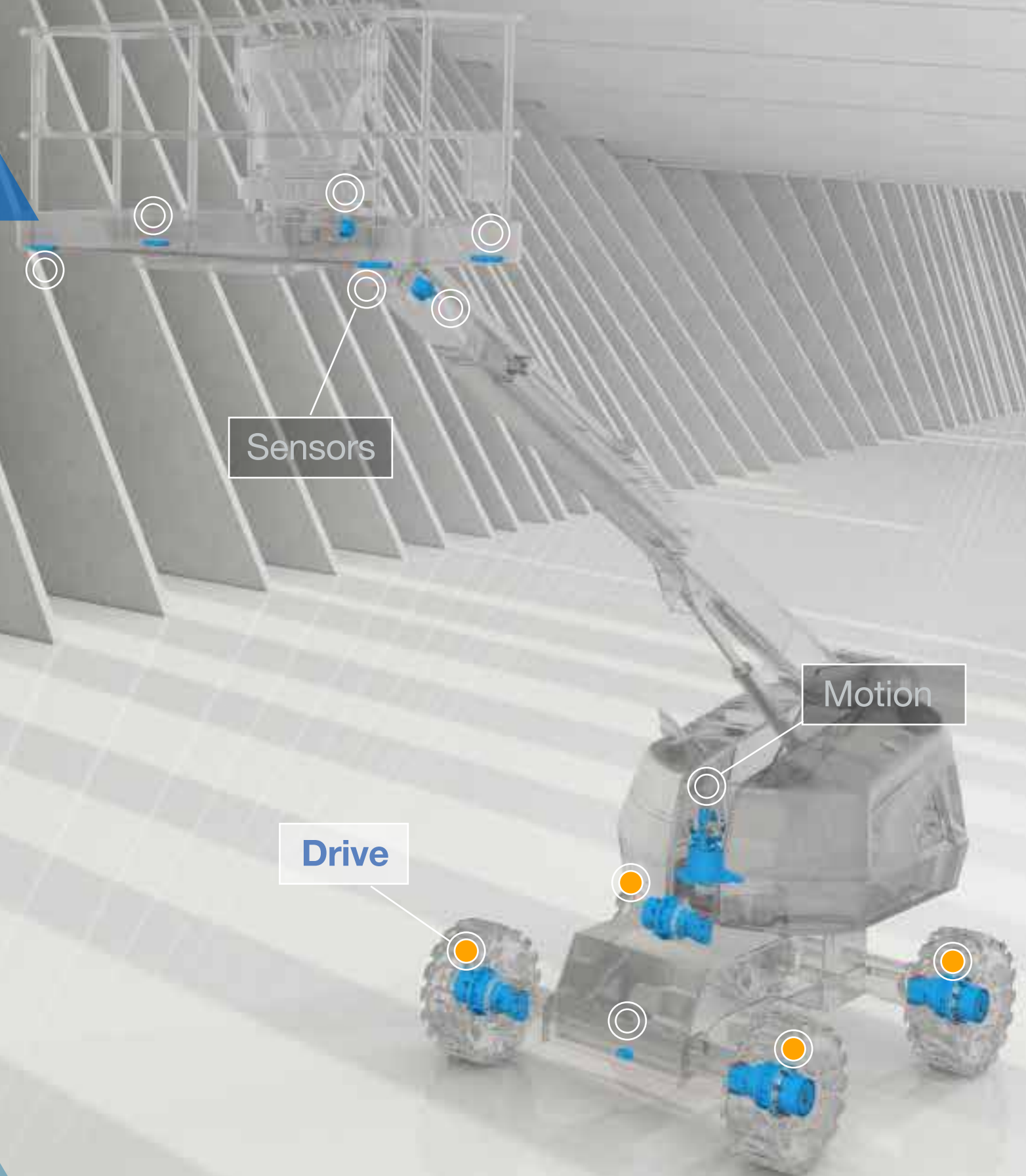
4 WHEEL DRIVE CENTRAL DRIVE

Drive \ Motion \ Sensors

Key features and benefits

- Sealing system, hub and spindle designed for severe environmental conditions
- Integrated parking brake to meet safety standards
- Complete drive package with B5VR motor for smooth operations

Platform Size	Small	Medium	Large	X-Large	XX-Large
Working Height [m]	9 to 16	18 to 21	22 to 30	32 to 40	> 40
Working Weight [ton]	up to 8	8 to 12	12 to 17	17 to 22	> 22
Spicer Torque-Hub™	4H	7H	13H	18H	18H



Telescopic Boom

Articulated Boom

Slab Scissor

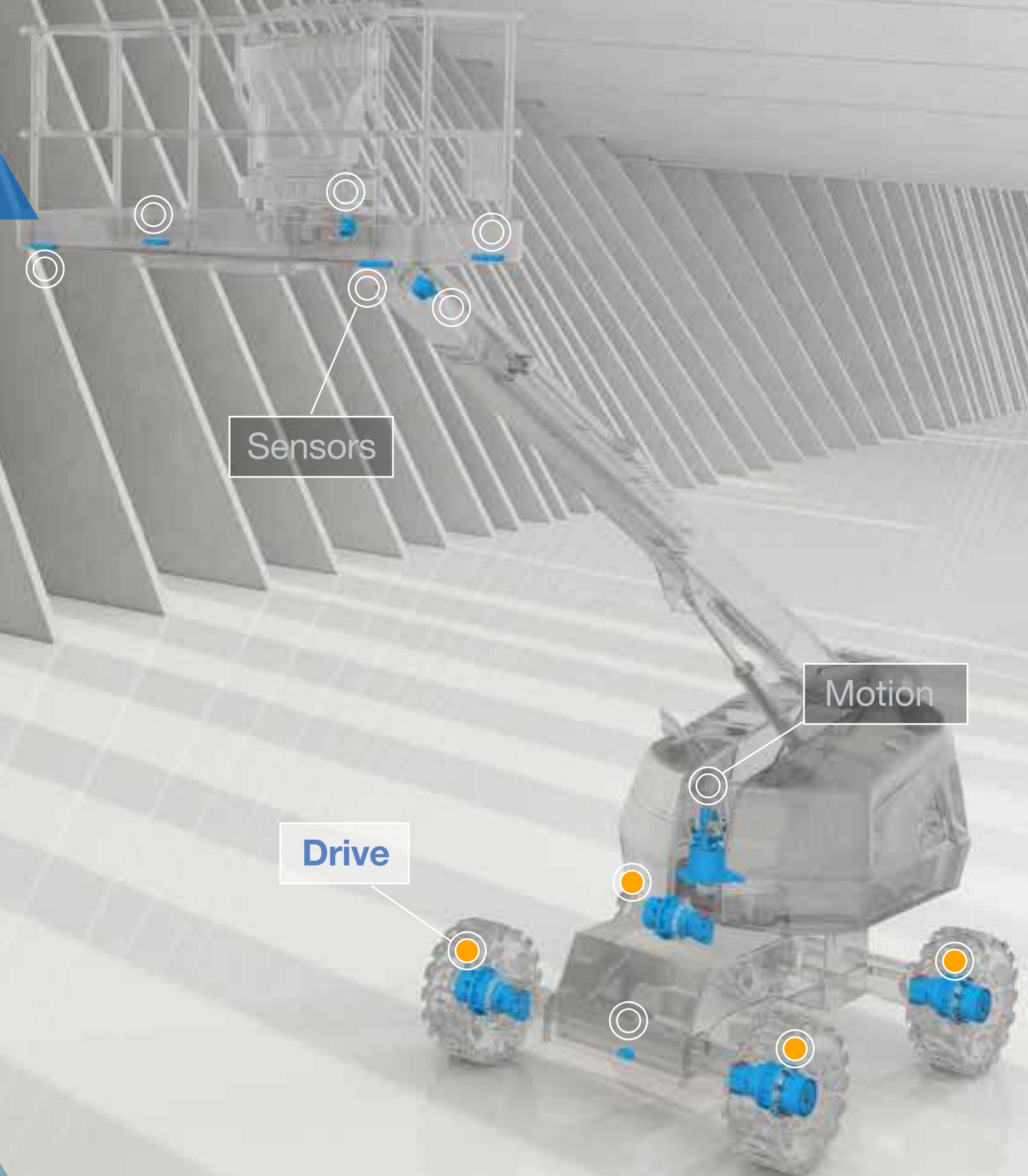
RT Scissor

Conventional \ Electrified

4 WHEEL DRIVE CENTRAL DRIVE

Drive \ Motion \ Sensors

Brevini® Hydraulic Motor
B5VR Series



Platform Size	Small	Medium	Large	X-Large	XX-Large
Working Height [m]	9 to 16	18 to 21	22 to 30	32 to 40	> 40
Working Weight [ton]	up to 8	8 to 12	12 to 17	17 to 22	> 22
Brevini® Hydraulic Motor	B5VR25*	B5VR30	B5VR35 B5VR38	B5VR45	B5VR45

* coming soon



Telescopic Boom

Articulated Boom

Slab Scissor

RT Scissor

Conventional \ Electrified

4 WHEEL DRIVE CENTRAL DRIVE

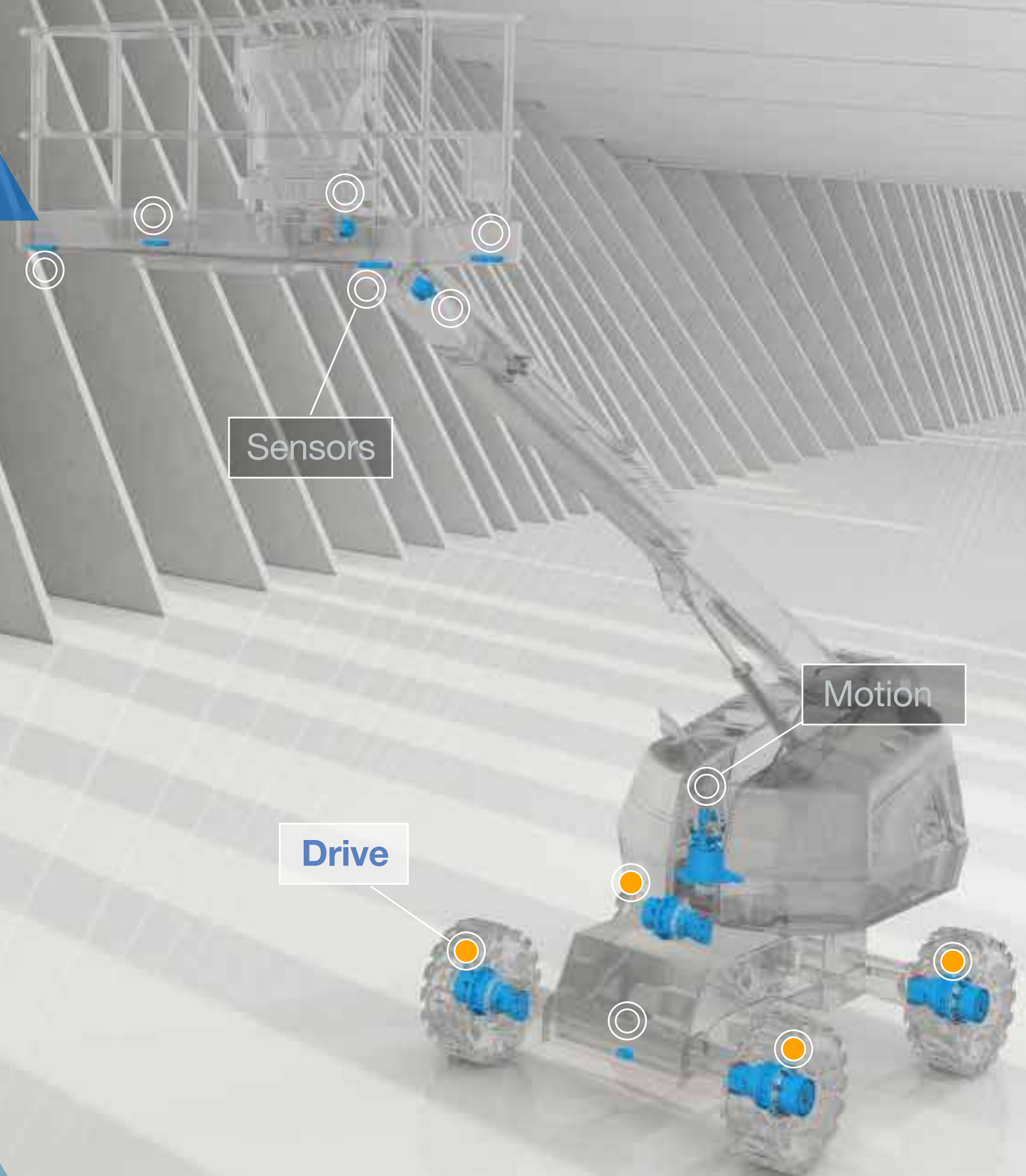
Drive \ Motion \ Sensors

Key features and benefits

- For closed and open loop circuits
- State-of-the-art 9-piston rotating kit
- Designed for maximum efficiency and smooth functioning
- Pressure up to 420 bar
- Twin rear and side ports

Platform Size	Small	Medium	Large	X-Large	XX-Large
Working Height [m]	9 to 16	18 to 21	22 to 30	32 to 40	> 40
Working Weight [ton]	up to 8	8 to 12	12 to 17	17 to 22	> 22
Brevini® Hydraulic Motor	B5VR25*	B5VR30	B5VR35 B5VR38	B5VR45	B5VR45

* coming soon



Telescopic Boom

Articulated Boom

Slab Scissor

RT Scissor

Conventional \ Electrified

4 WHEEL DRIVE CENTRAL DRIVE

Drive \ Motion \ Sensors

Key features and benefits

- Reduced max displacements available
- Multiple minimum displacement options including null displacement
- Speed sensor with null speed signal
- Embedded flushing valve for closed loop circuit

Platform Size	Small	Medium	Large	X-Large	XX-Large
Working Height [m]	9 to 16	18 to 21	22 to 30	32 to 40	> 40
Working Weight [ton]	up to 8	8 to 12	12 to 17	17 to 22	> 22
Brevini® Hydraulic Motor	B5VR25*	B5VR30	B5VR35 B5VR38	B5VR45	B5VR45

* coming soon



Telescopic Boom

Articulated Boom

Slab Scissor

RT Scissor

Conventional \ Electrified

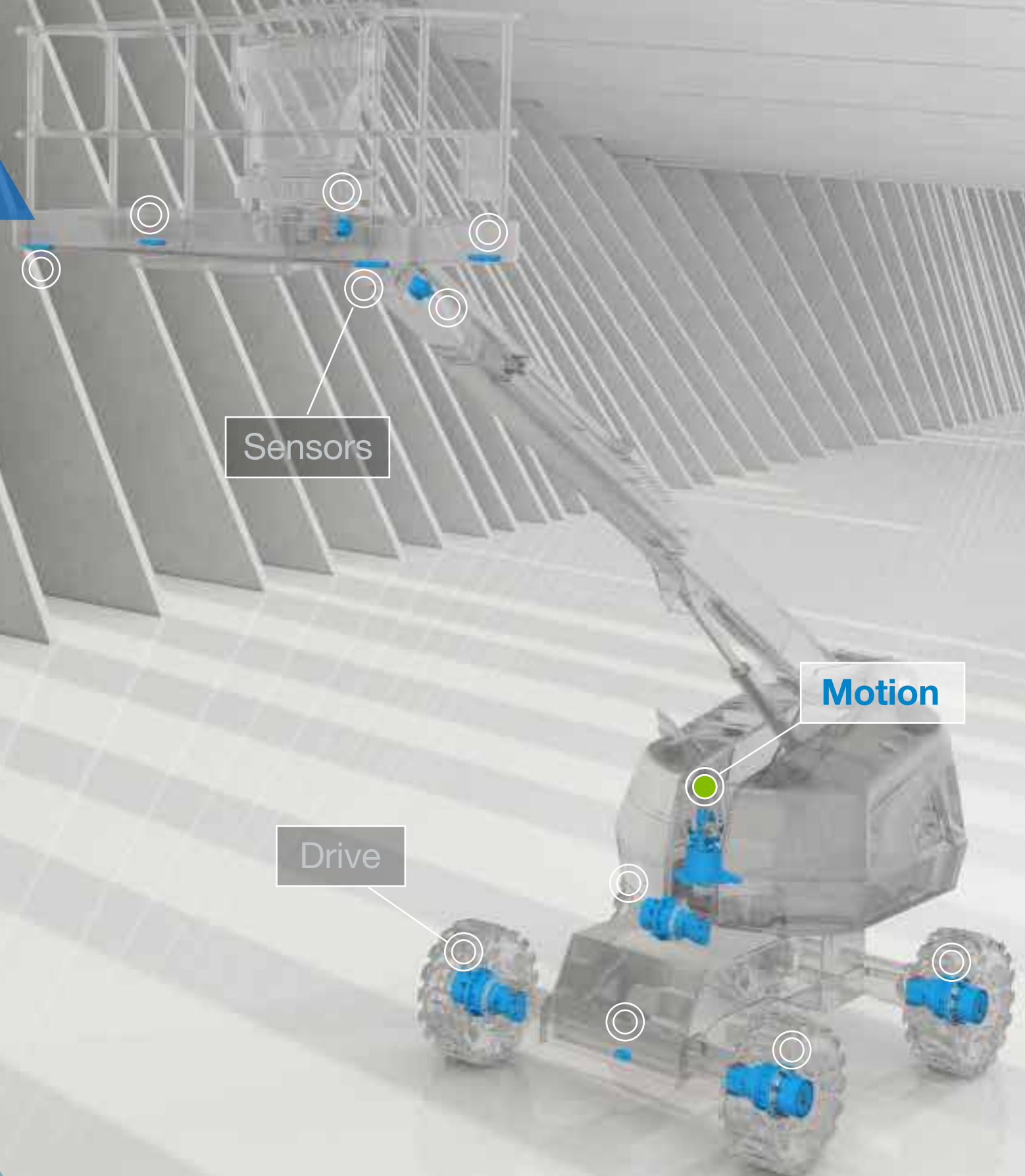
4 WHEEL DRIVE CENTRAL DRIVE

Drive \ **Motion** \ Sensors

Brevini® Slew Drive P Series with Brevini® Orbital Motor BS Series



Platform Size	Small	Medium	Large	X-Large	XX-Large
Working Height [m]	9 to 16	18 to 21	22 to 30	32 to 40	> 40
Working Weight [ton]	up to 8	8 to 12	12 to 17	17 to 22	> 22
Brevini® Slew Drive	Only motor	P1A	P1A	2 X P1A	2 X P1A
Brevini® Hydraulic Motor	BS130	BS059	BS059	BS059	BS059



Telescopic Boom

Articulated Boom

Slab Scissor

RT Scissor

Conventional \ Electrified

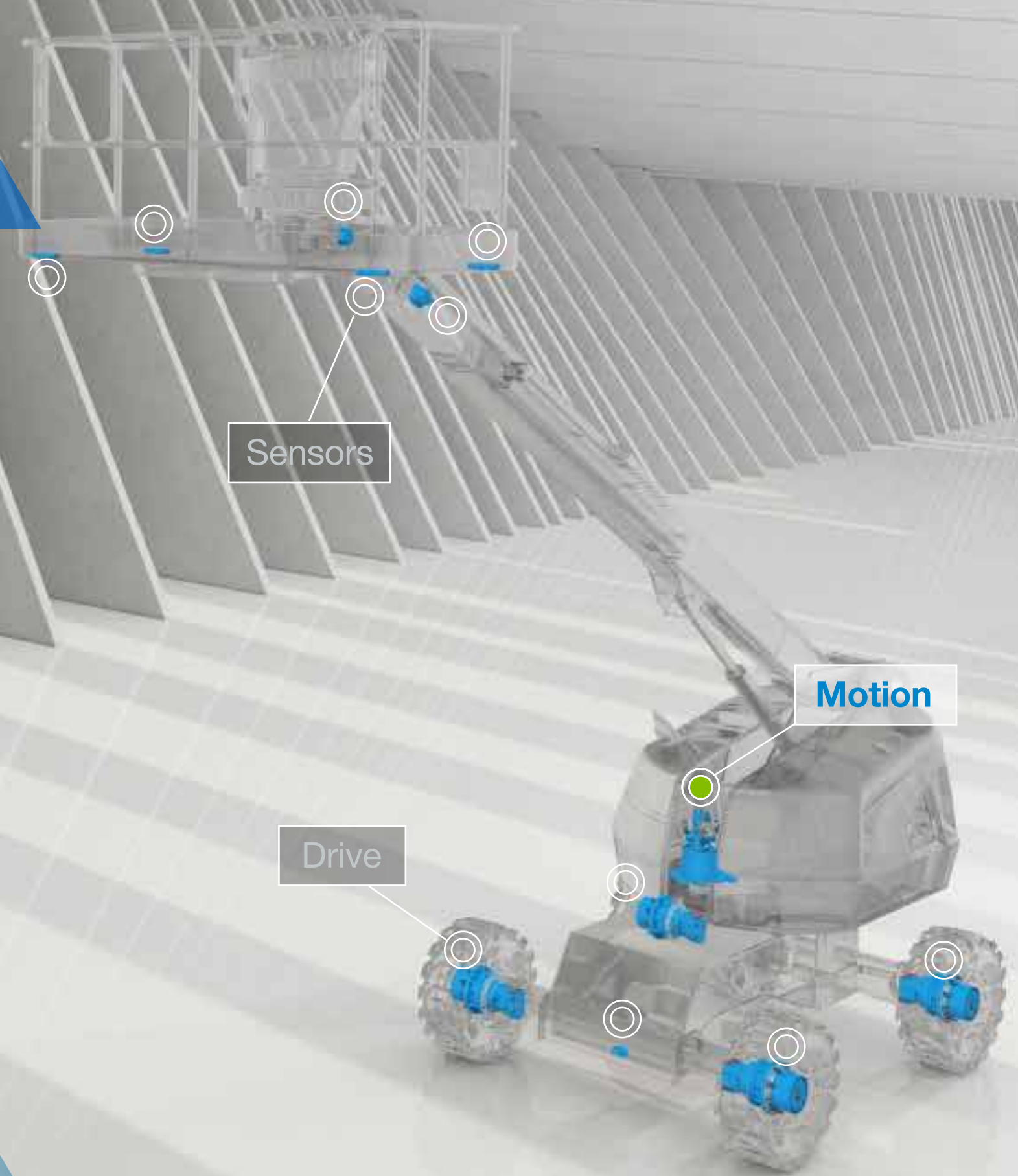
4 WHEEL DRIVE CENTRAL DRIVE

Drive \ **Motion** \ Sensors

Key features and benefits

- Complete solution with hydraulic orbital motor BS Series offering all-in-one solution for slew drives
- Plug and play assembly complete with lifting lugs
- 2-stage reduction with multiple ratios available
- Many pinion options available, custom pinion upon request

Platform Size	Small	Medium	Large	X-Large	XX-Large
Working Height [m]	9 to 16	18 to 21	22 to 30	32 to 40	> 40
Working Weight [ton]	up to 8	8 to 12	12 to 17	17 to 22	> 22
Brevini® Slew Drive	Only motor	P1A	P1A	2 X P1A	2 X P1A
Brevini® Hydraulic Motor	BS130	BS059	BS059	BS059	BS059



Telescopic Boom

Articulated Boom

Slab Scissor

RT Scissor

Conventional \ Electrified

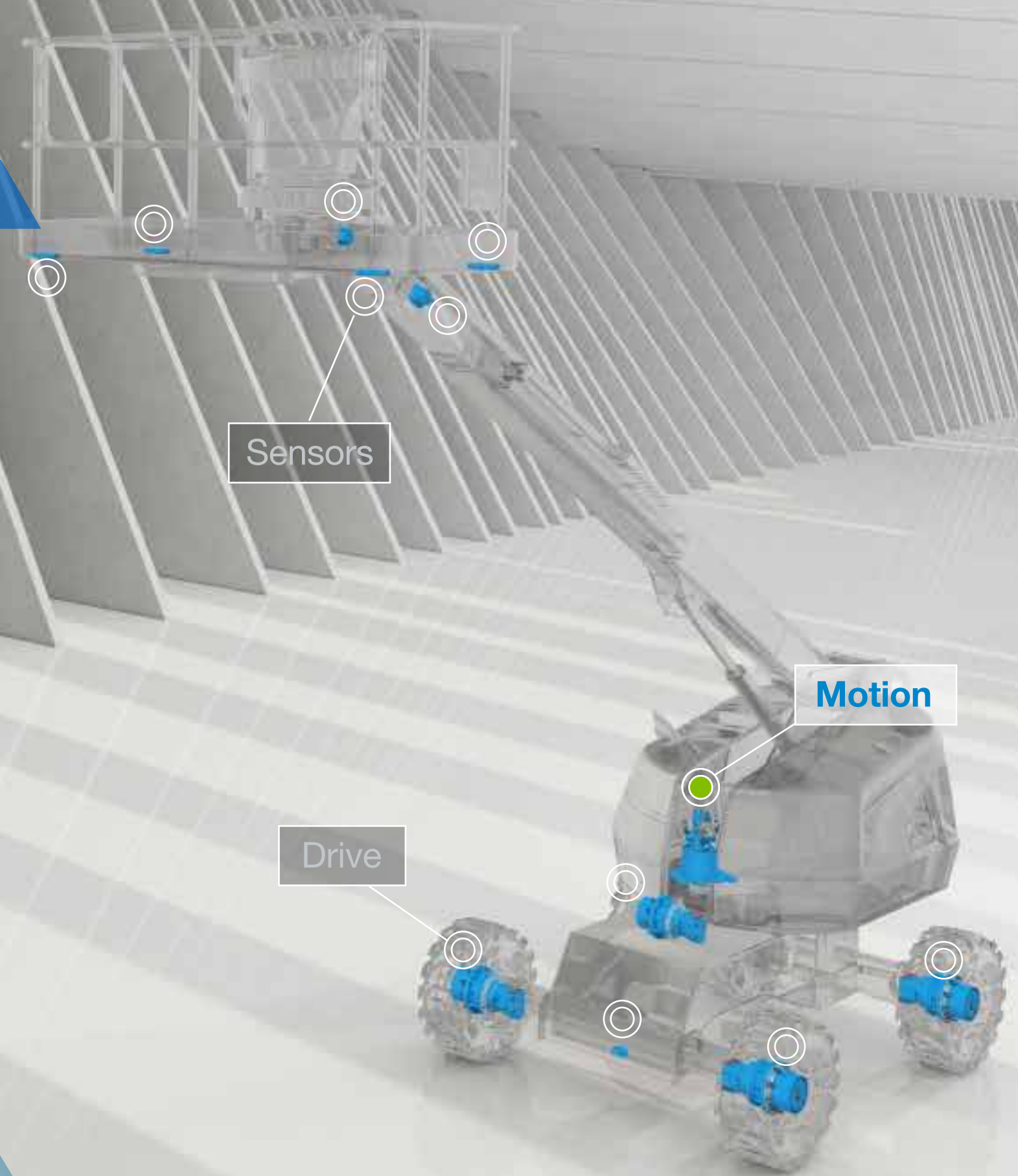
4 WHEEL DRIVE CENTRAL DRIVE

Drive \ **Motion** \ Sensors

Key features and benefits

- Spring applied, hydraulically released holding brake
- Convenient backlash adjustment feature between pinion and slew bearing
- Orbital Motor with High-performance roller for improved efficiency and life
- Counterbalance valve included with various pressure and pilot setting available

Platform Size	Small	Medium	Large	X-Large	XX-Large
Working Height [m]	9 to 16	18 to 21	22 to 30	32 to 40	> 40
Working Weight [ton]	up to 8	8 to 12	12 to 17	17 to 22	> 22
Brevini® Slew Drive	Only motor	P1A	P1A	2 X P1A	2 X P1A
Brevini® Hydraulic Motor	BS130	BS059	BS059	BS059	BS059



Telescopic Boom

Articulated Boom

Slab Scissor

RT Scissor

Conventional \ Electrified

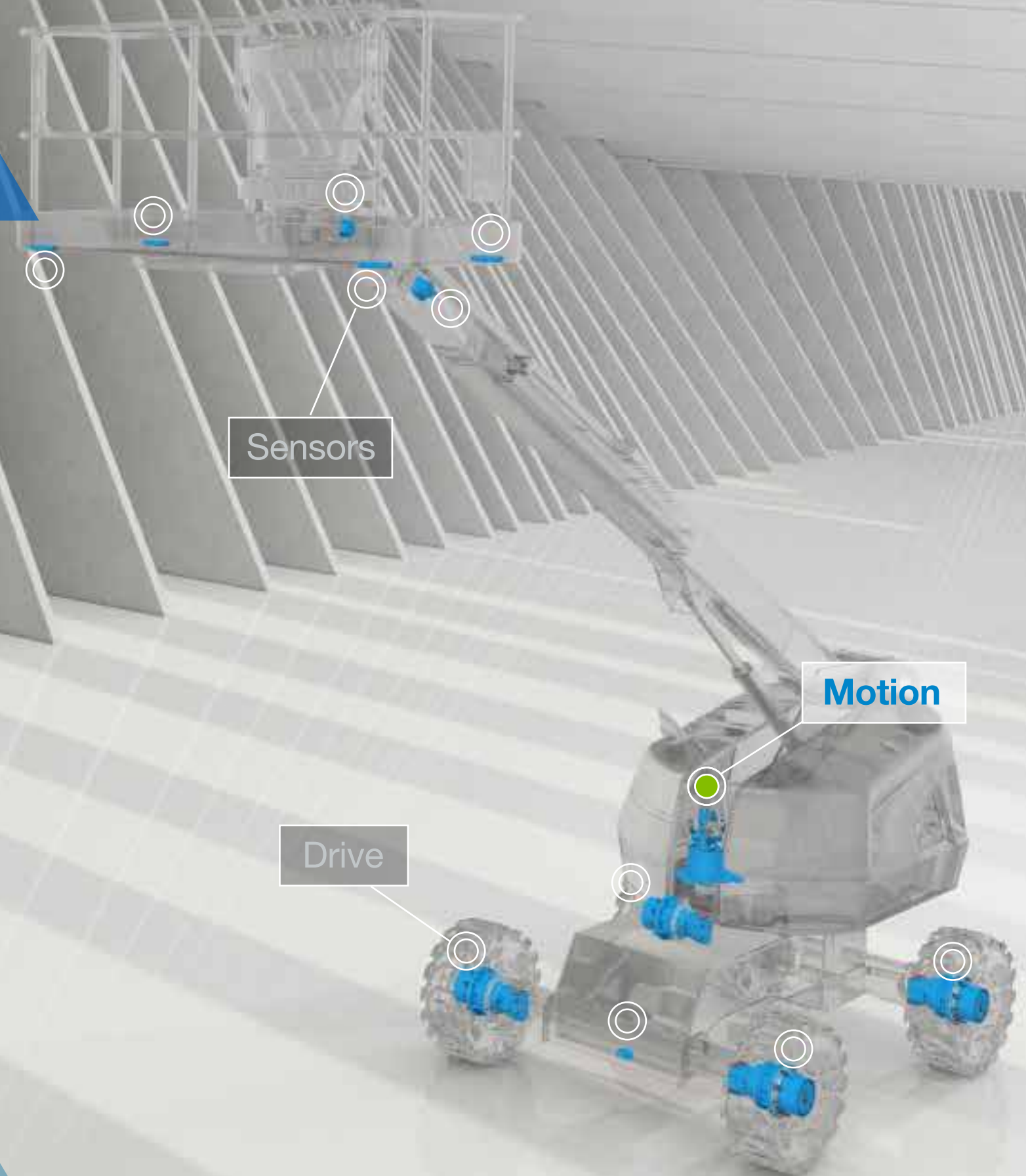
4 WHEEL DRIVE CENTRAL DRIVE

Drive \ **Motion** \ Sensors

Key features and benefits

- Built in check valves to relieve case pressure to the low-pressure side of the motor.
- Orbital Motor with spool valve integrated in the output shaft with optimized geometry to minimize leakage

Platform Size	Small	Medium	Large	X-Large	XX-Large
Working Height [m]	9 to 16	18 to 21	22 to 30	32 to 40	> 40
Working Weight [ton]	up to 8	8 to 12	12 to 17	17 to 22	> 22
Brevini® Slew Drive	Only motor	P1A	P1A	2 X P1A	2 X P1A
Brevini® Hydraulic Motor	BS130	BS059	BS059	BS059	BS059



Telescopic Boom

Articulated Boom

Slab Scissor

RT Scissor

Conventional \ Electrified

4 WHEEL DRIVE CENTRAL DRIVE

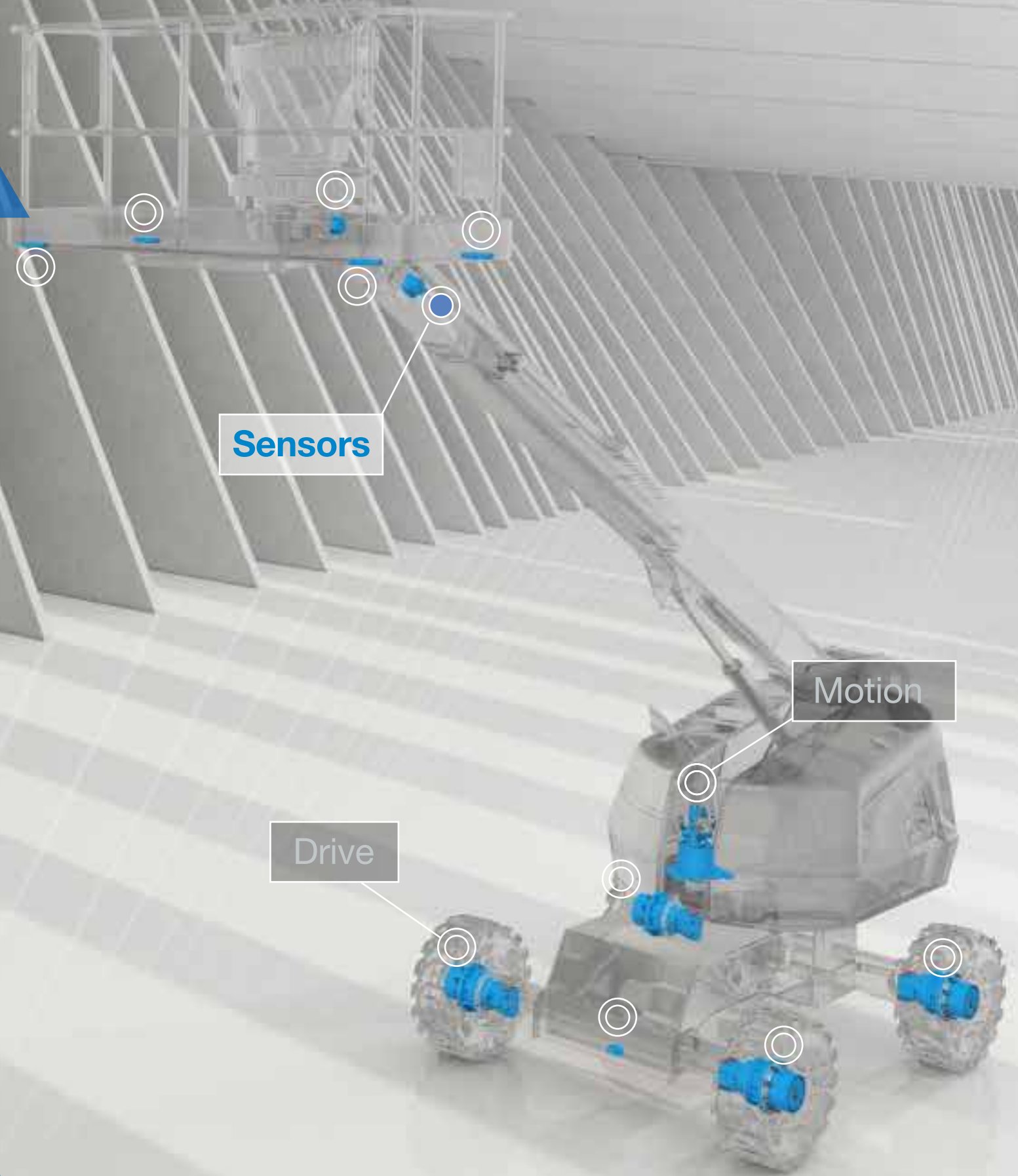
Drive \ Motion \ [Sensors](#)

Brevini® electronic sensors
Boom Extension Transducer



Key features and benefits

- Waterproof robust and compact body
- 1 or 2 axis integrated inclinometer available
- Dual\redundant outputs available for PLd EN13849 safety systems
- Length up to 12.5 meter



Telescopic Boom

Articulated Boom

Slab Scissor

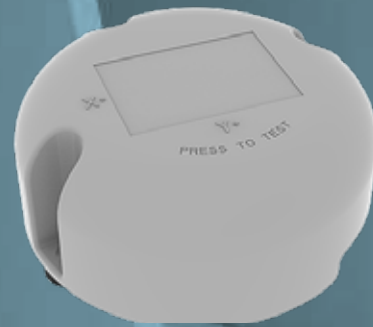
RT Scissor

Conventional \ Electrified

4 WHEEL DRIVE CENTRAL DRIVE

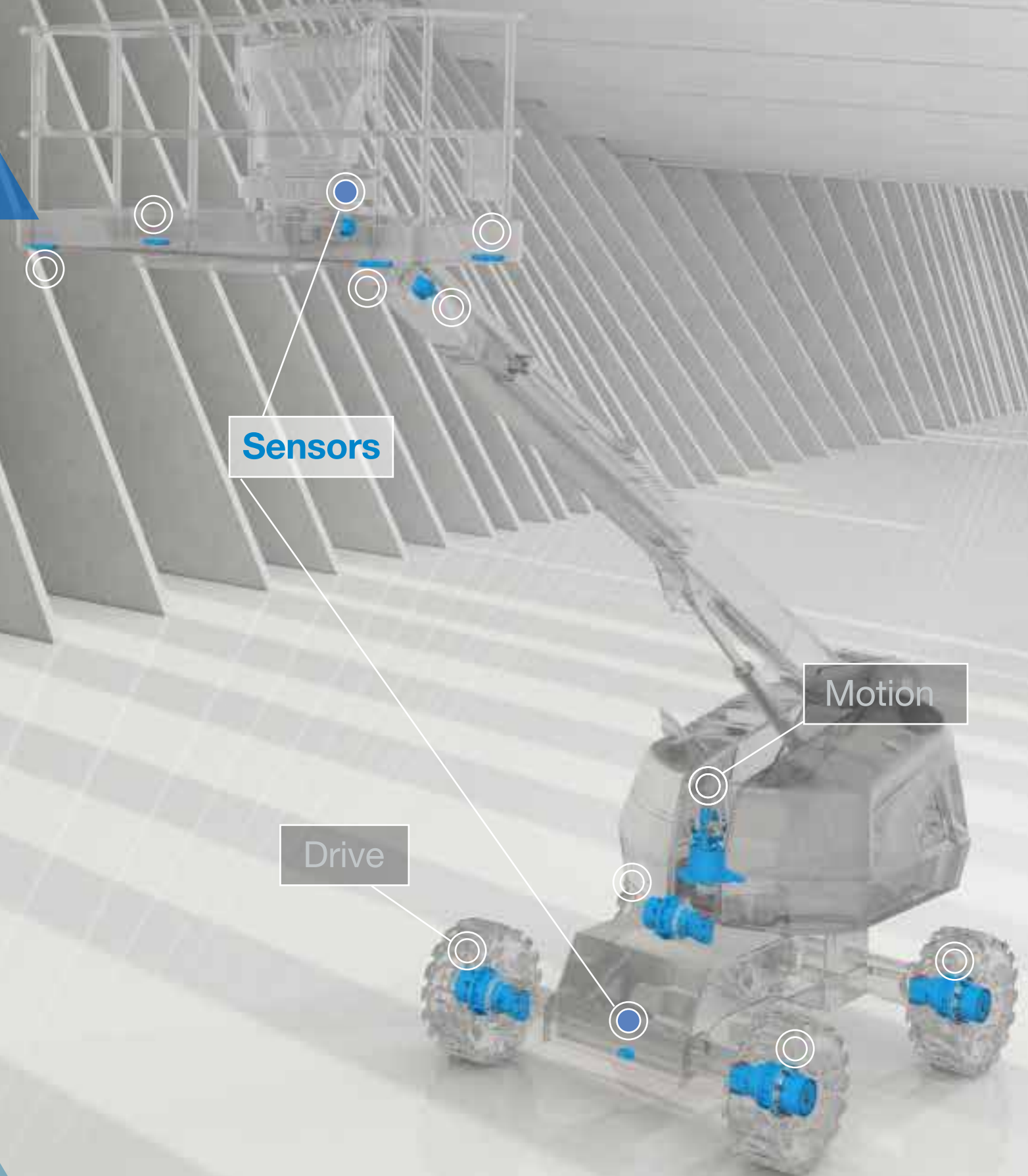
Drive \ Motion \ [Sensors](#)

Brevini® electronic sensors
Digital Inclinometer



Key features and benefits

- Waterproof robust plastic body
- 1 or 2 axis measurement
- Dual/redundant outputs available for PLd EN13849 safety systems
- Optional thermal compensation available



Telescopic Boom

Articulated Boom

Slab Scissor

RT Scissor

Conventional \ Electrified

4 WHEEL DRIVE CENTRAL DRIVE

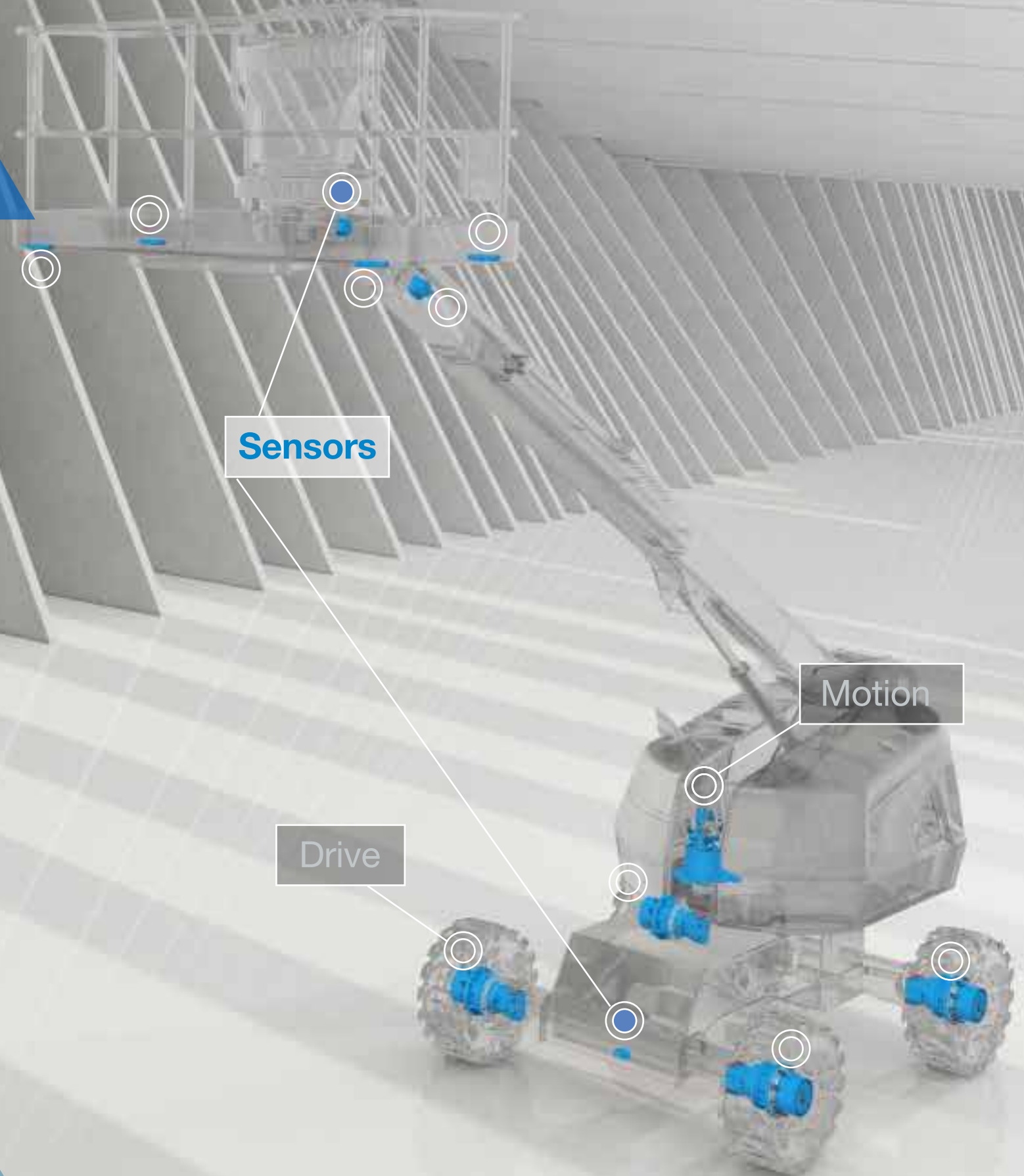
Drive \ Motion \ [Sensors](#)

Brevini® electronic sensors
Digital Inclinator



Key features and benefits

- Customizable signal filtration
- Customizable hardness on demand



Telescopic Boom

Articulated Boom

Slab Scissor

RT Scissor

Conventional \ Electrified

4 WHEEL DRIVE CENTRAL DRIVE

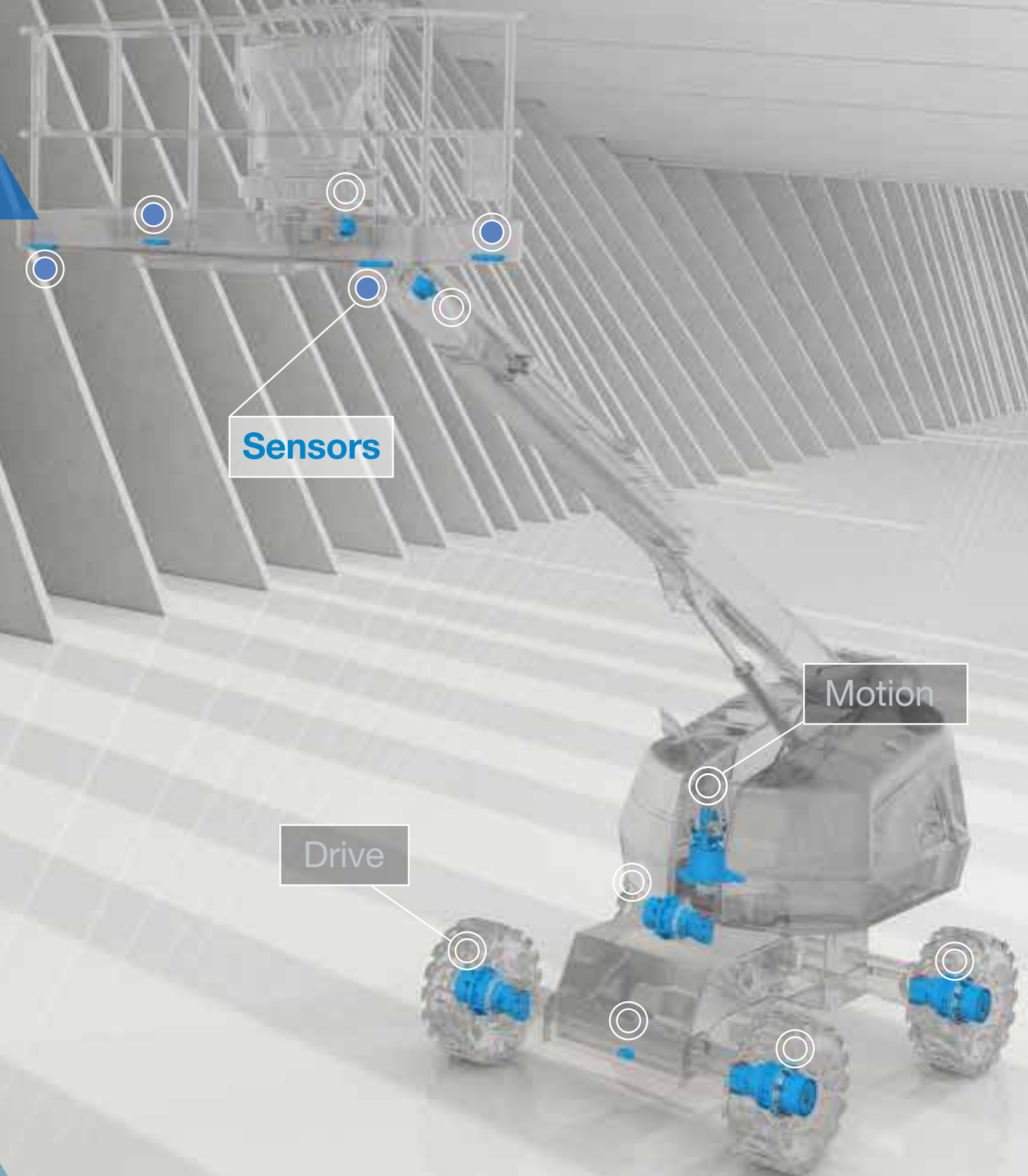
Drive \ Motion \ [Sensors](#)

Brevini® electronic sensors
Load Sensor



Key features and benefits

- Waterproof robust and compact body
- Dual\Redundant output available for PLd EN13849 safety systems
- Optional thermal compensation available



Telescopic Boom

Articulated Boom

Slab Scissor

RT Scissor

Conventional \ **Electrified**

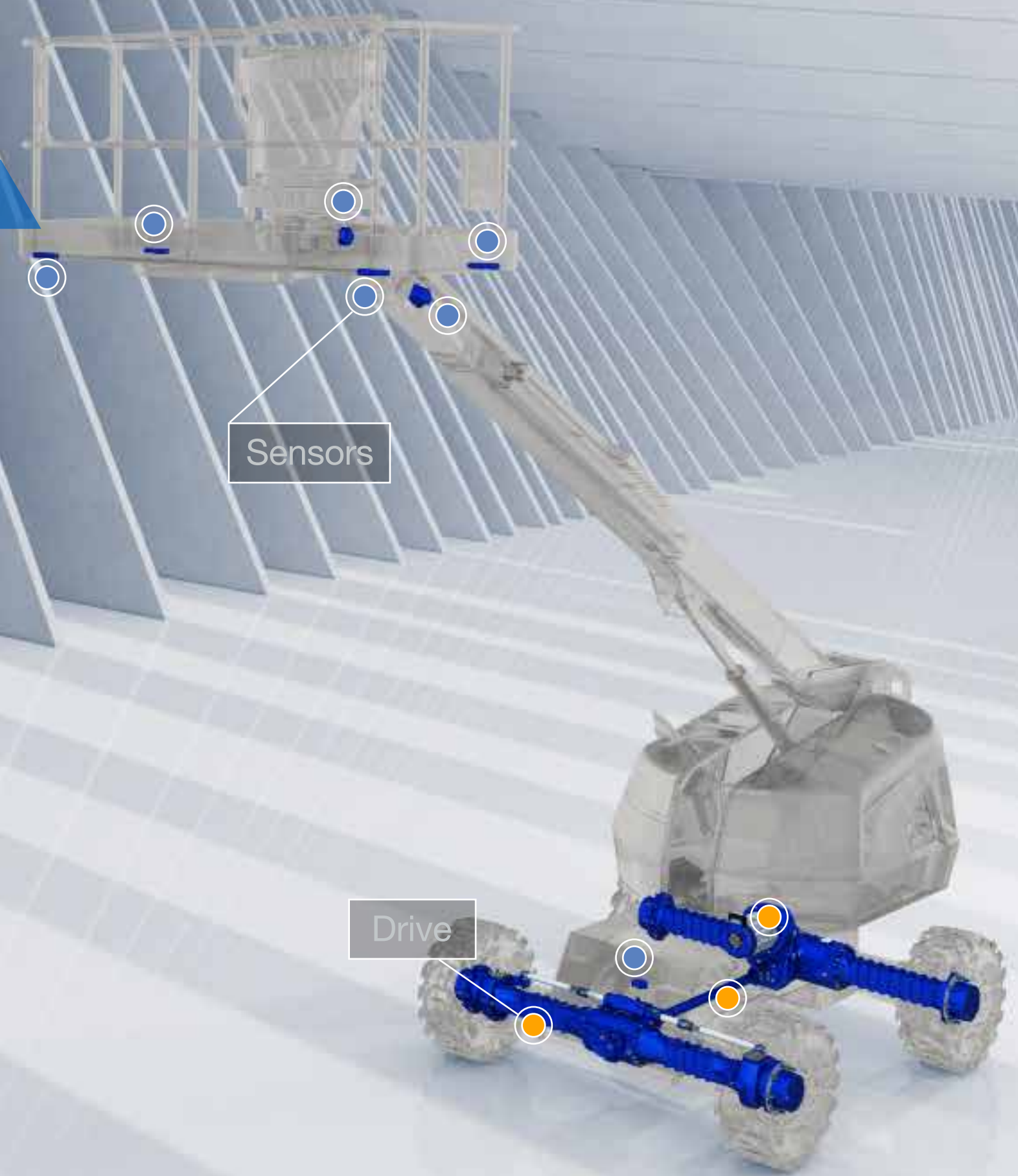
⊙ 4 WHEEL DRIVE

○ CENTRAL DRIVE

Sensors

Drive

An electro-mechanical system solution for [drive](#), with electronic [sensors](#), for greater efficiency with less size and weight and long-life performance.



Telescopic Boom

Articulated Boom

Slab Scissor

RT Scissor

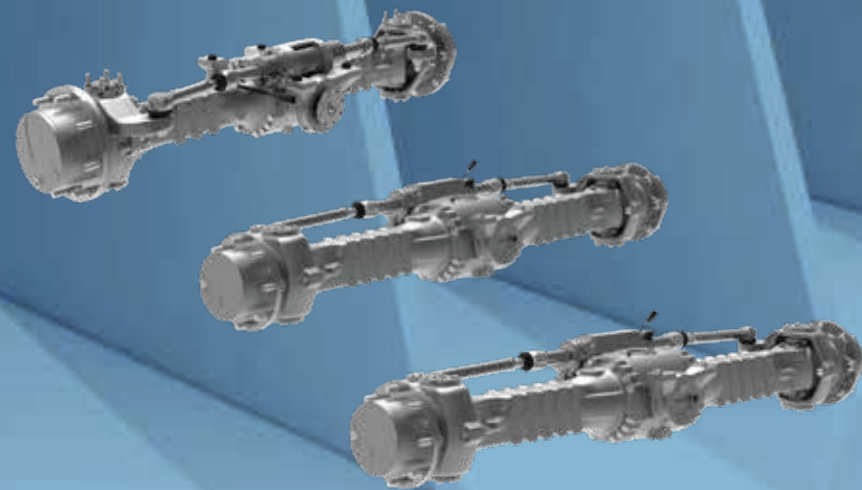
Conventional \ **Electrified**

4 WHEEL DRIVE

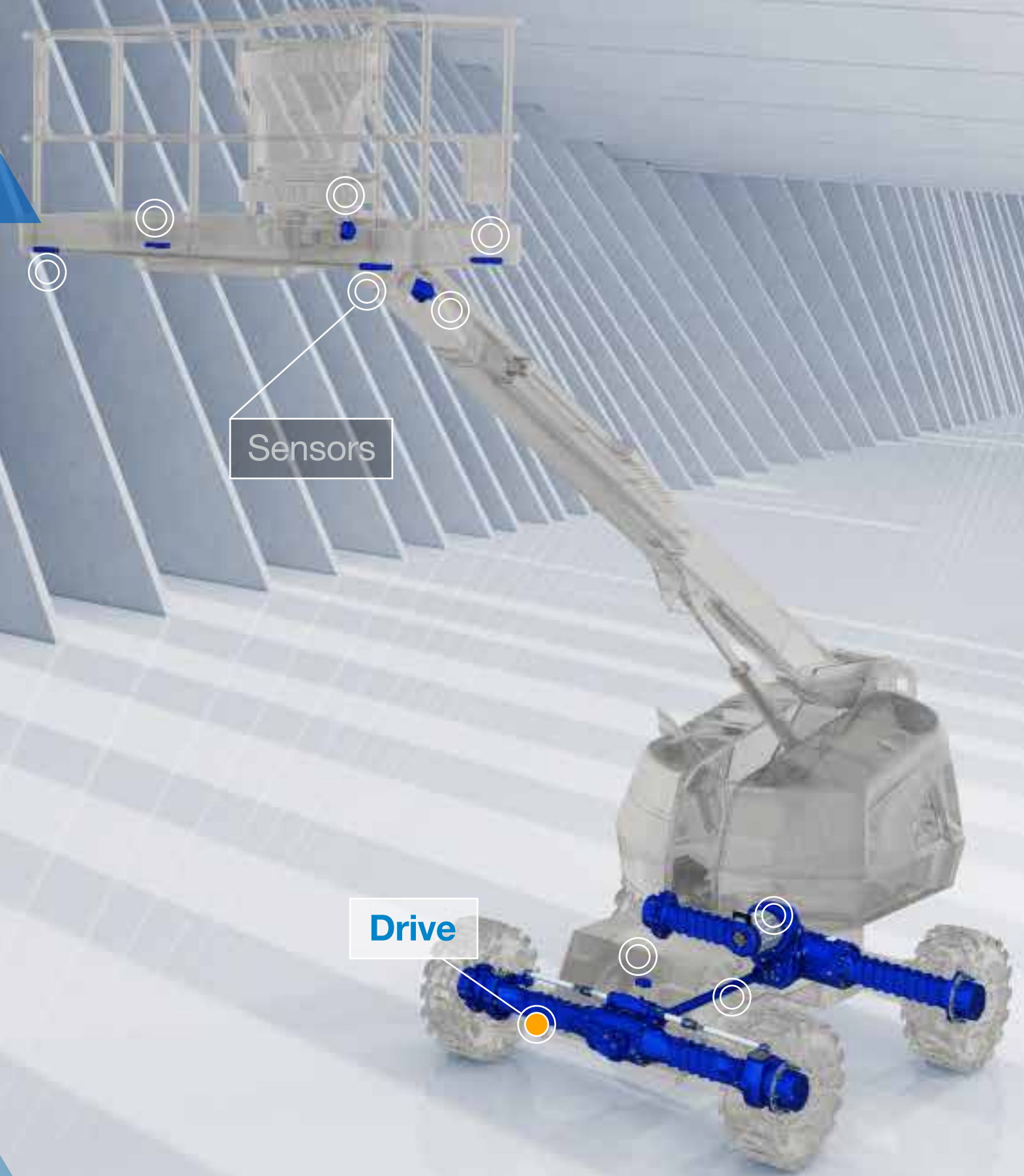
CENTRAL DRIVE

Drive \ Sensors

Spicer®
Front axle 211, 212, 212HD



Platform Size	Small	Medium	Large
Working Height [m]	9 to 16	18 to 21	22 to 30
Working Weight [ton]	up to 8	8 to 12	12 to 17
Spicer® Front axle	211	212	212HD



Telescopic Boom

Articulated Boom

Slab Scissor

RT Scissor

Conventional \ **Electrified**

⊙ 4 WHEEL DRIVE

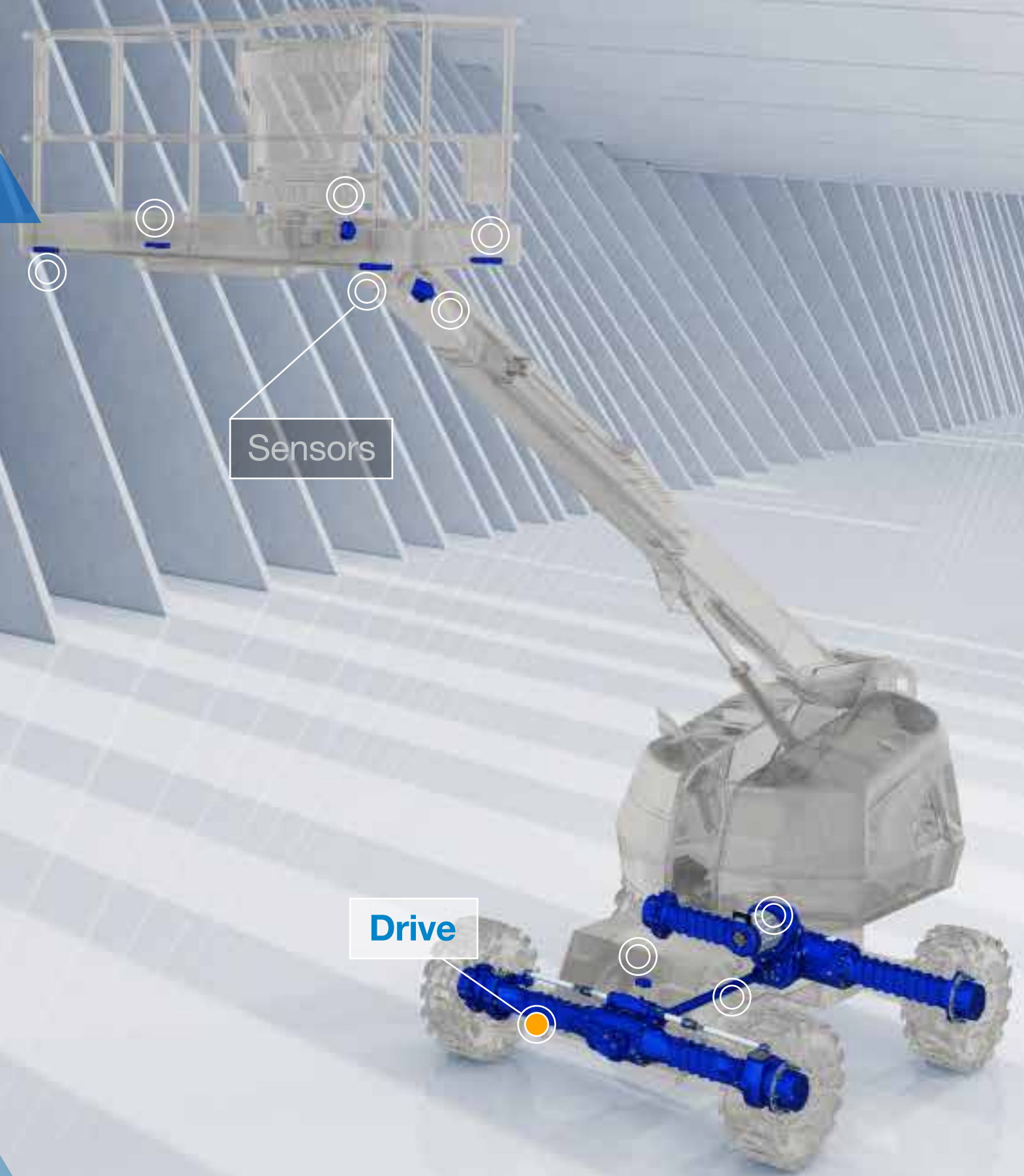
○ CENTRAL DRIVE

Drive \ Sensors

Key features and benefits

- Planetary steering axle
- High driveline efficiency
- Minimal impact on vehicle frame
- Easy, low-cost service, and maintenance
- Different hub reduction sizes

Platform Size	Small	Medium	Large
Working Height [m]	9 to 16	18 to 21	22 to 30
Working Weight [ton]	up to 8	8 to 12	12 to 17
Spicer® Front axle	211	212	212HD



Telescopic Boom

Articulated Boom

Slab Scissor

RT Scissor

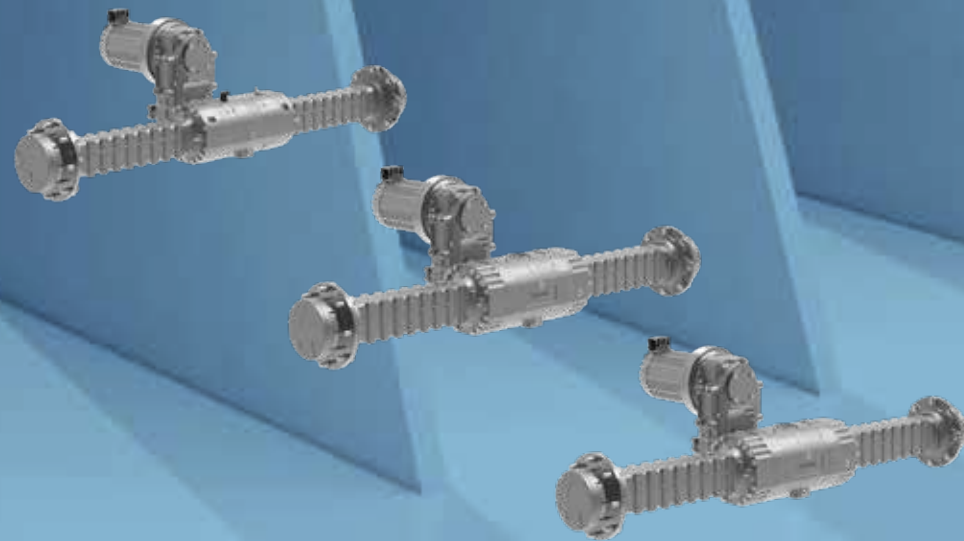
Conventional \ **Electrified**

4 WHEEL DRIVE

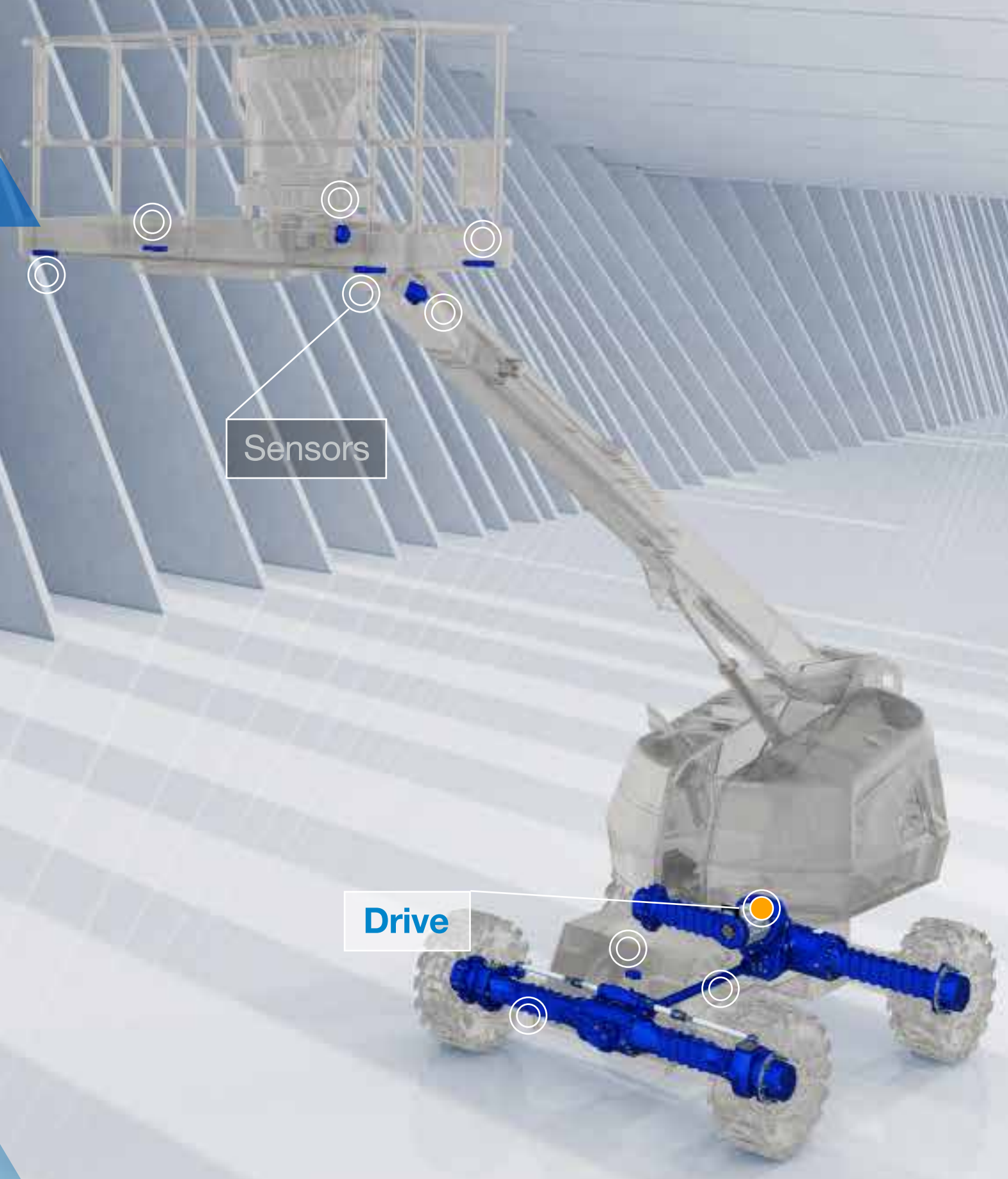
CENTRAL DRIVE

Drive \ Sensors

Spicer Electrified™ Rear e-Axle eS111, eS112, eS112HD with Spicer® eSG001 Dropbox and Dana™ TM4™ Electric Motor



Platform Size	Small	Medium	Large
Working Height [m]	9 to 16	18 to 21	22 to 30
Working Weight [ton]	up to 8	8 to 12	12 to 17
Spicer Electrified™ Rear e-Axle	eS111	eS112	eS112HD
Dropbox	eSG001	eSG001	eSG001
Dana TM4™	SRIPM200-150	SRIPM200-200	SRIPM200-250



Telescopic Boom

Articulated Boom

Slab Scissor

RT Scissor

Conventional \ **Electrified**

4 WHEEL DRIVE

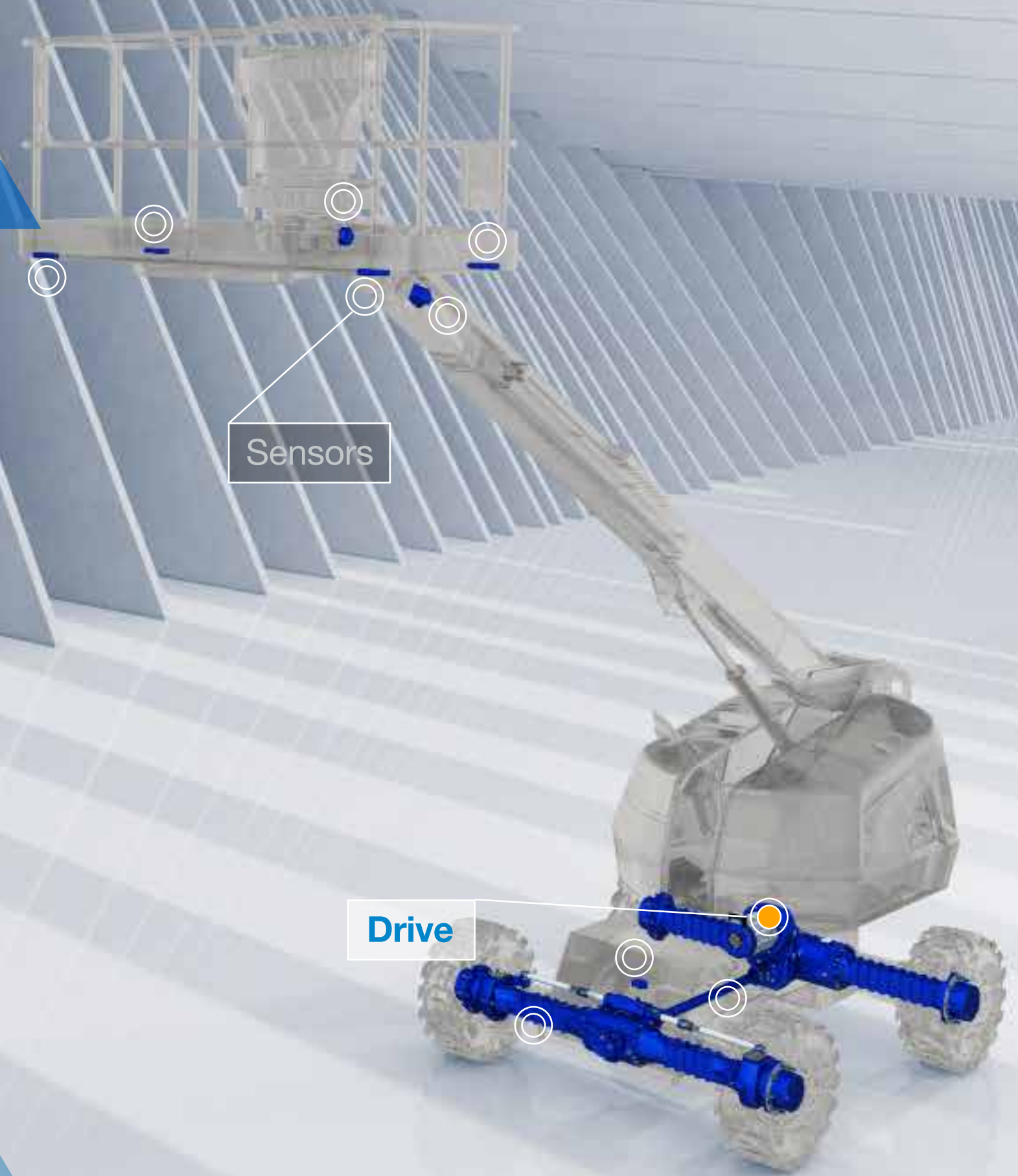
CENTRAL DRIVE

Drive \ Sensors

Key features and benefits

- Planetary rigid axles, based on modular axle, driven by electric motor
- Available in a variety of configurations and ratios
- Single speed dropbox directly flanged to Spicer® axles, designed to enhance vehicle mobility and allow for quick deployment from worksite to worksite

Platform Size	Small	Medium	Large
Working Height [m]	9 to 16	18 to 21	22 to 30
Working Weight [ton]	up to 8	8 to 12	12 to 17
Spicer Electrified™ Rear e-Axle	eS111	eS112	eS112HD
Dropbox	eSG001	eSG001	eSG001
Dana TM4™	SRIPM200-150	SRIPM200-200	SRIPM200-250



Telescopic Boom

Articulated Boom

Slab Scissor

RT Scissor

Conventional \ **Electrified**

4 WHEEL DRIVE

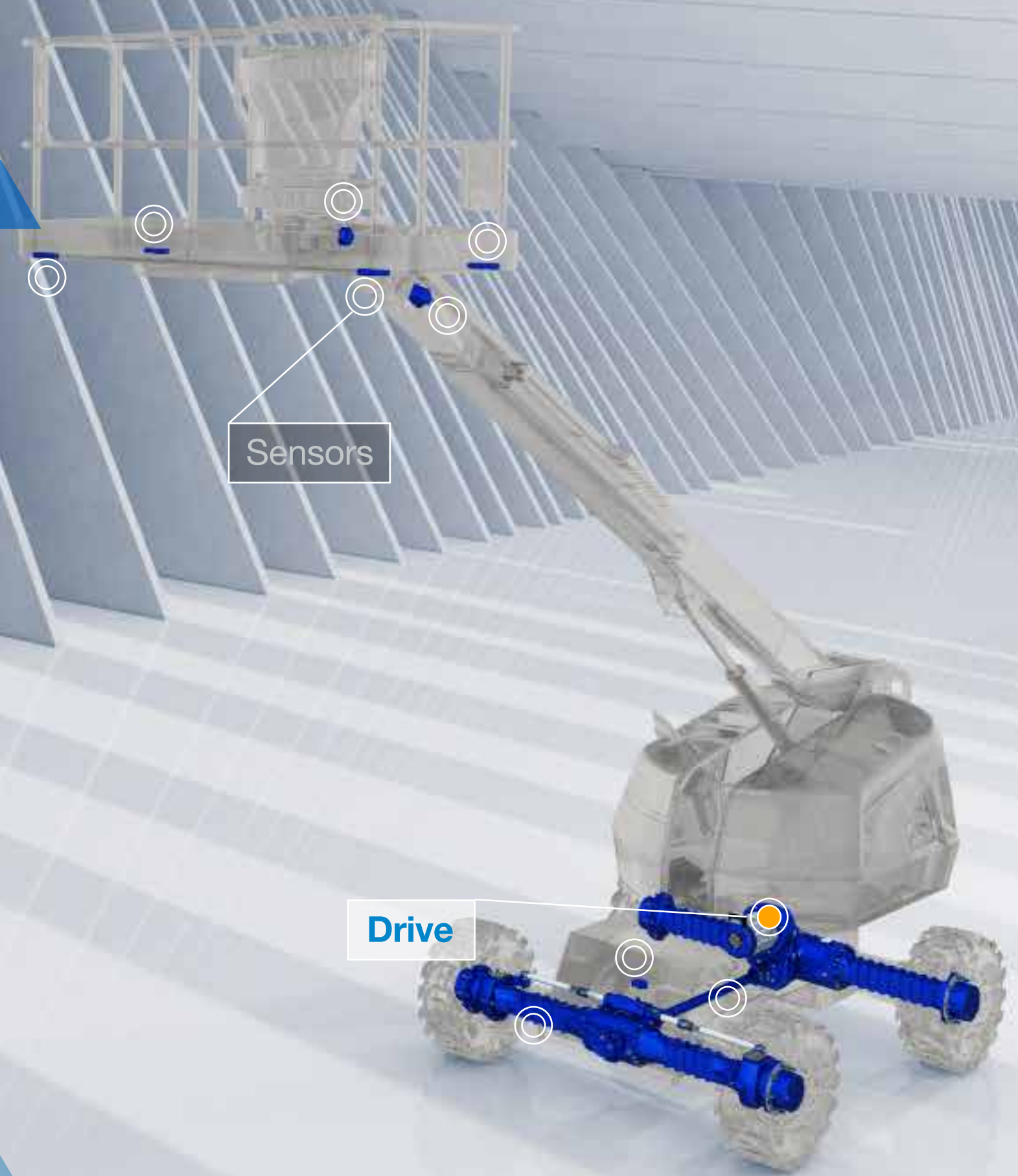
CENTRAL DRIVE

Drive \ Sensors

Key features and benefits

- Optimized NVH and efficiency for electric applications
- Four-wheel drive engagement
- Optional electromagnetic spring applied parking brake
- Different electric motors technologies to meet performance requirements
- DC voltage range: 48 V to 96 V

Platform Size	Small	Medium	Large
Working Height [m]	9 to 16	18 to 21	22 to 30
Working Weight [ton]	up to 8	8 to 12	12 to 17
Spicer Electrified™ Rear e-Axle	eS111	eS112	eS112HD
Dropbox	eSG001	eSG001	eSG001
Dana TM4™	SRIPM200-150	SRIPM200-200	SRIPM200-250



Sensors

Drive

Telescopic Boom

Articulated Boom

Slab Scissor

RT Scissor

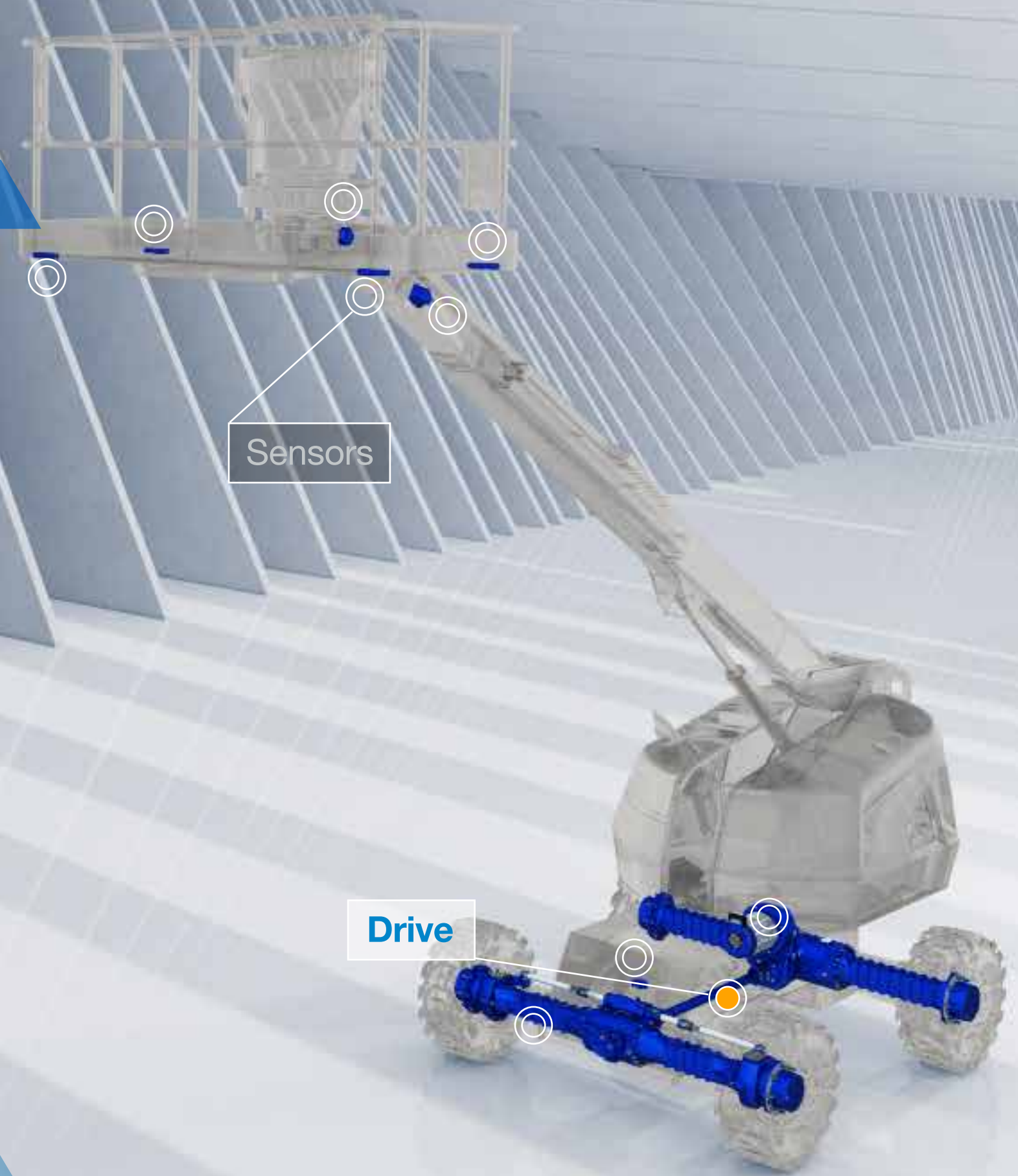
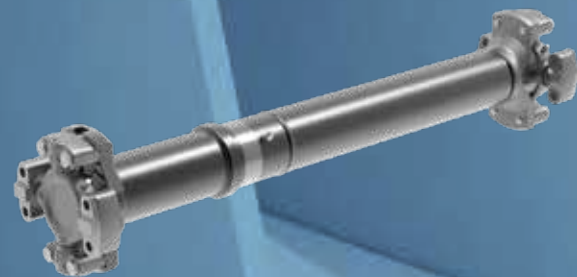
Conventional \ **Electrified**

4 WHEEL DRIVE

CENTRAL DRIVE

Drive \ Sensors

Spicer® Driveshaft 10 Series



Sensors

Drive

Platform Size	Small	Medium	Large
Working Height [m]	9 to 16	18 to 21	22 to 30
Working Weight [ton]	up to 8	8 to 12	12 to 17
Spicer® Driveshaft	10 Series	10 Series	10 Series



Telescopic Boom

Articulated Boom

Slab Scissor

RT Scissor

Conventional \ **Electrified**

4 WHEEL DRIVE

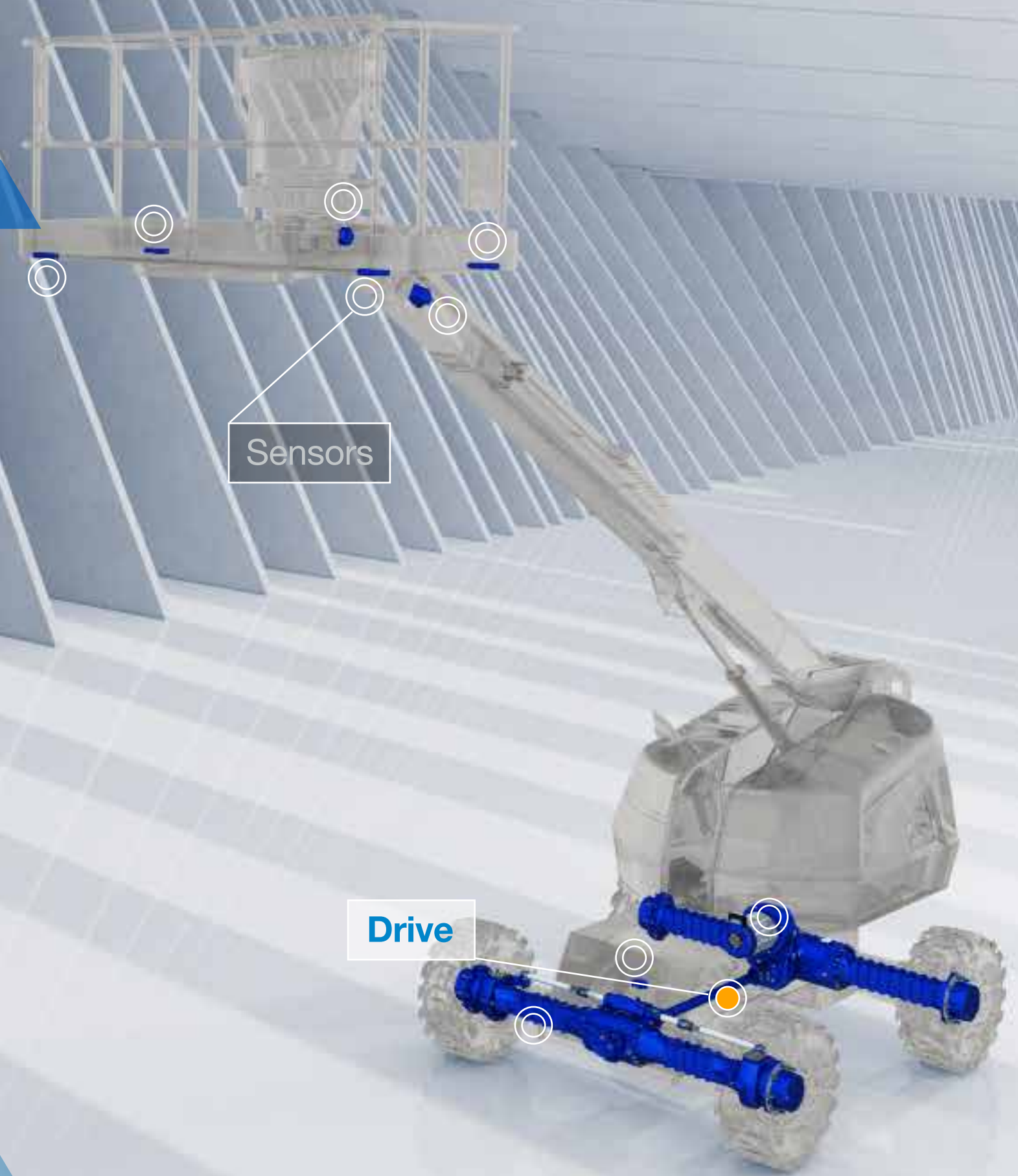
CENTRAL DRIVE

Drive \ Sensors

Key features and benefits

- Extended Spline Life
- Reduced Thrust Load under Pressure
- Lower Friction under Load
- Superior Needle Bearing Retention
- Easy to Service Universal Joints
- Extended or Permanent Lubrication available on request

Platform Size	Small	Medium	Large
Working Height [m]	9 to 16	18 to 21	22 to 30
Working Weight [ton]	up to 8	8 to 12	12 to 17
Spicer® Driveshaft	10 Series	10 Series	10 Series



Telescopic Boom

Articulated Boom

Slab Scissor

RT Scissor

Conventional \ **Electrified**

4 WHEEL DRIVE

CENTRAL DRIVE

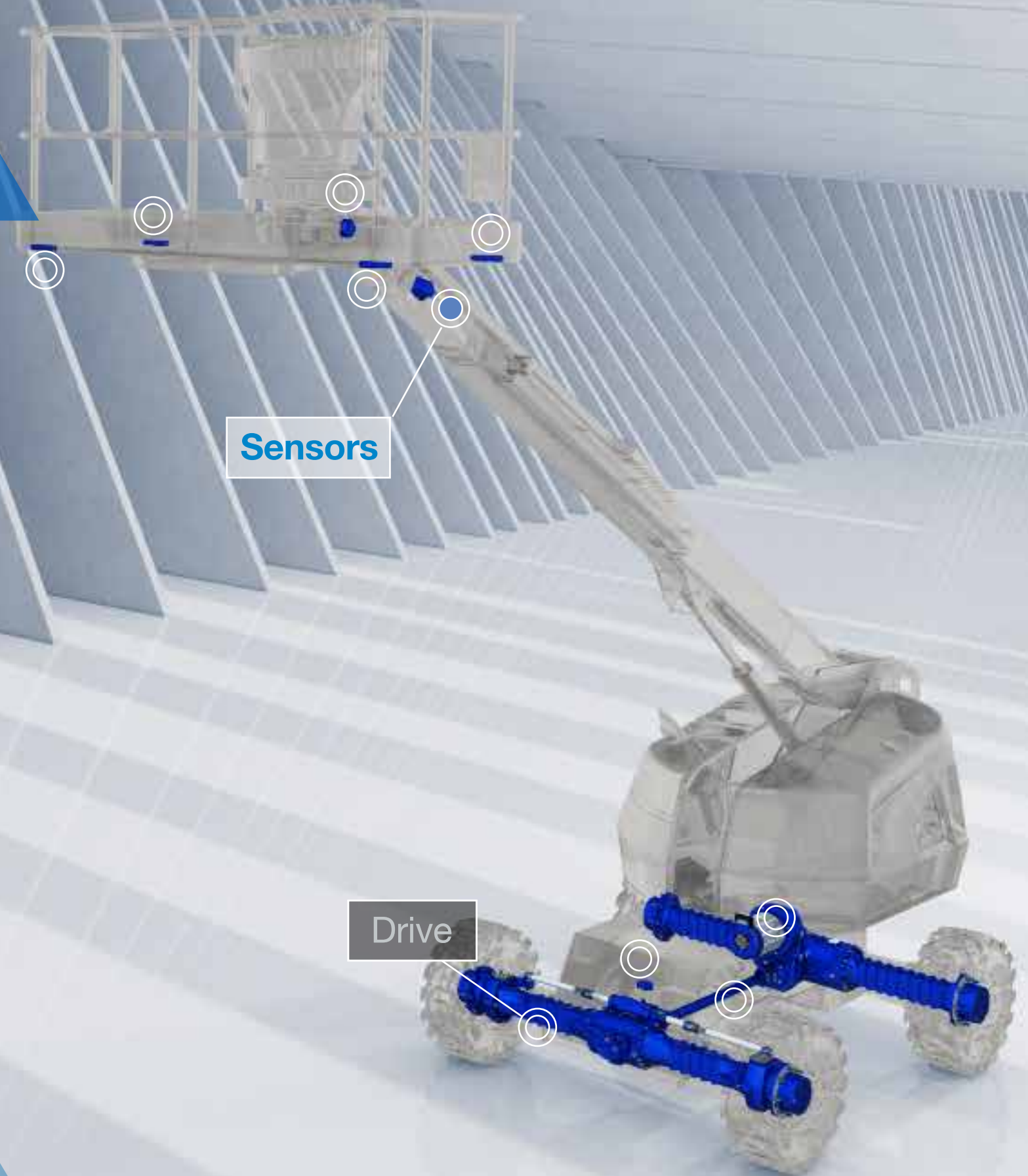
Drive \ Sensors

Brevini® electronic sensors
Boom Extension Transducer



Key features and benefits

- Waterproof robust and compact body
- 1 or 2 axis integrated inclinometer available
- Dual/redundant outputs available for PLd EN13849 safety systems
- Length up to 12.5 meter



Telescopic Boom

Articulated Boom

Slab Scissor

RT Scissor

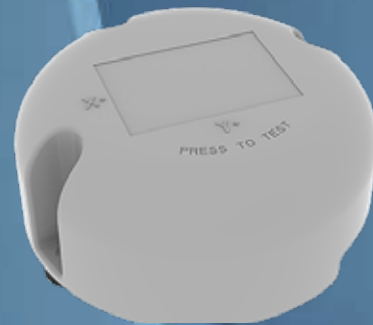
Conventional \ **Electrified**

4 WHEEL DRIVE

CENTRAL DRIVE

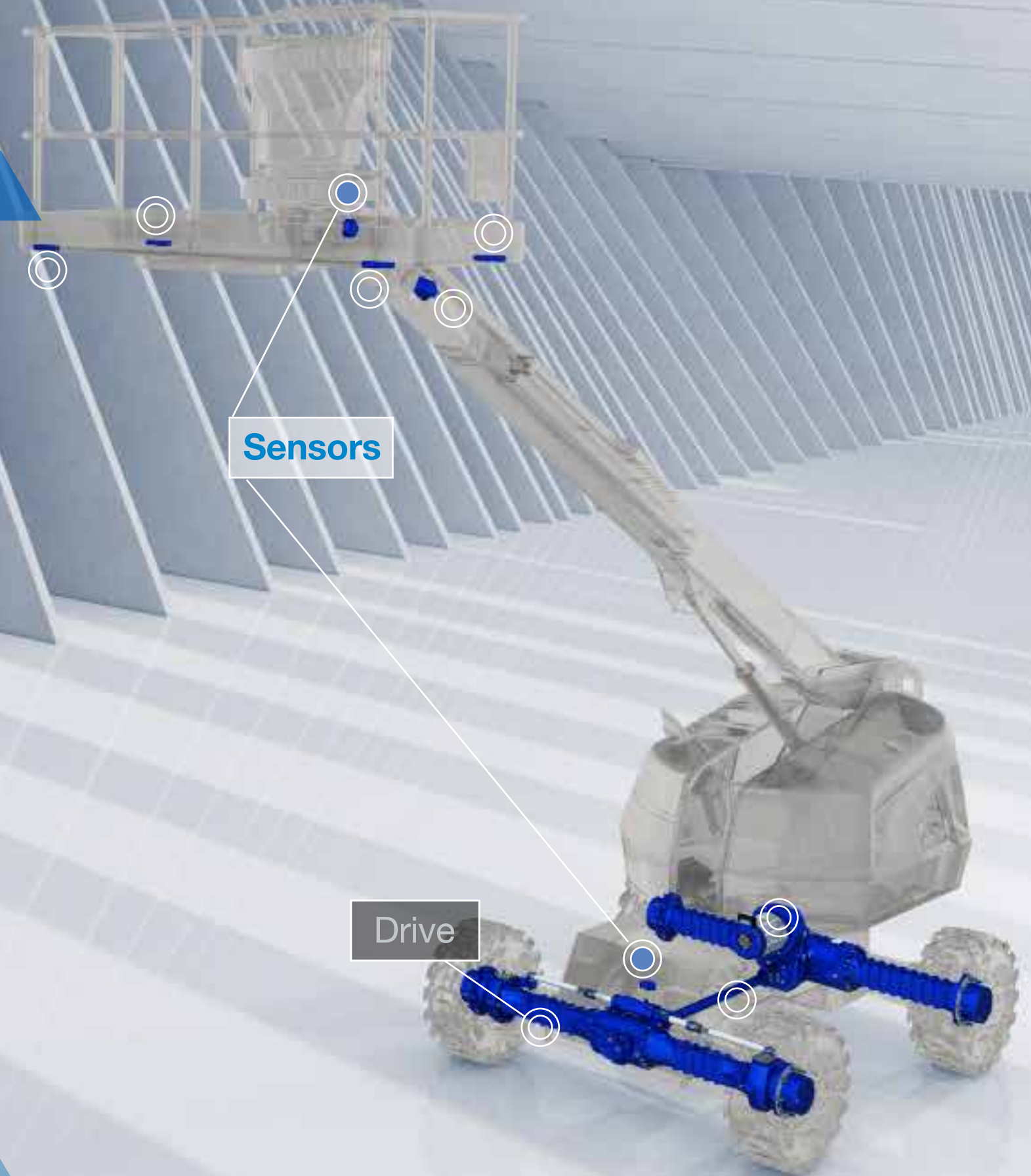
Drive \ Sensors

Brevini® electronic sensors
Digital Inclinator



Key features and benefits

- Waterproof robust plastic body
- 1 or 2 axis measurement
- Dual/redundant outputs available for PLd EN13849 safety systems
- Optional thermal compensation available



Telescopic Boom

Articulated Boom

Slab Scissor

RT Scissor

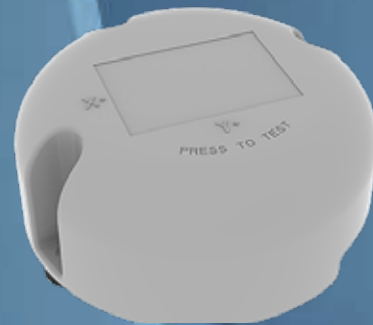
Conventional \ **Electrified**

4 WHEEL DRIVE

CENTRAL DRIVE

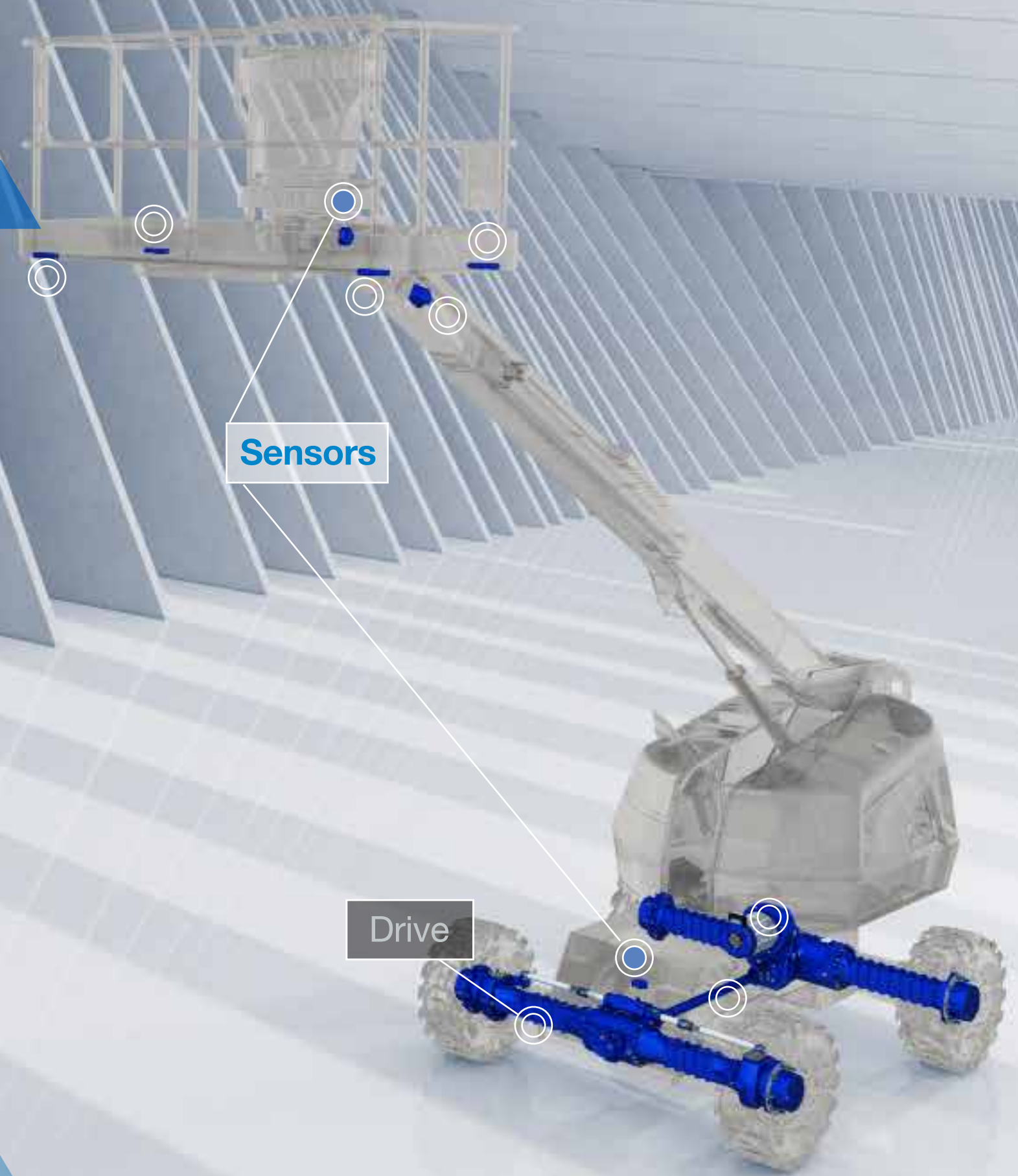
Drive \ **Sensors**

Brevini® electronic sensors
Digital Inclinomater



Key features and benefits

- Customizable signal filtration
- Customizable hardness on demand



Sensors

Drive

Telescopic Boom

Telescopic Boom

Slab Scissor

RT Scissor

Conventional \ **Electrified**

4 WHEEL DRIVE

CENTRAL DRIVE

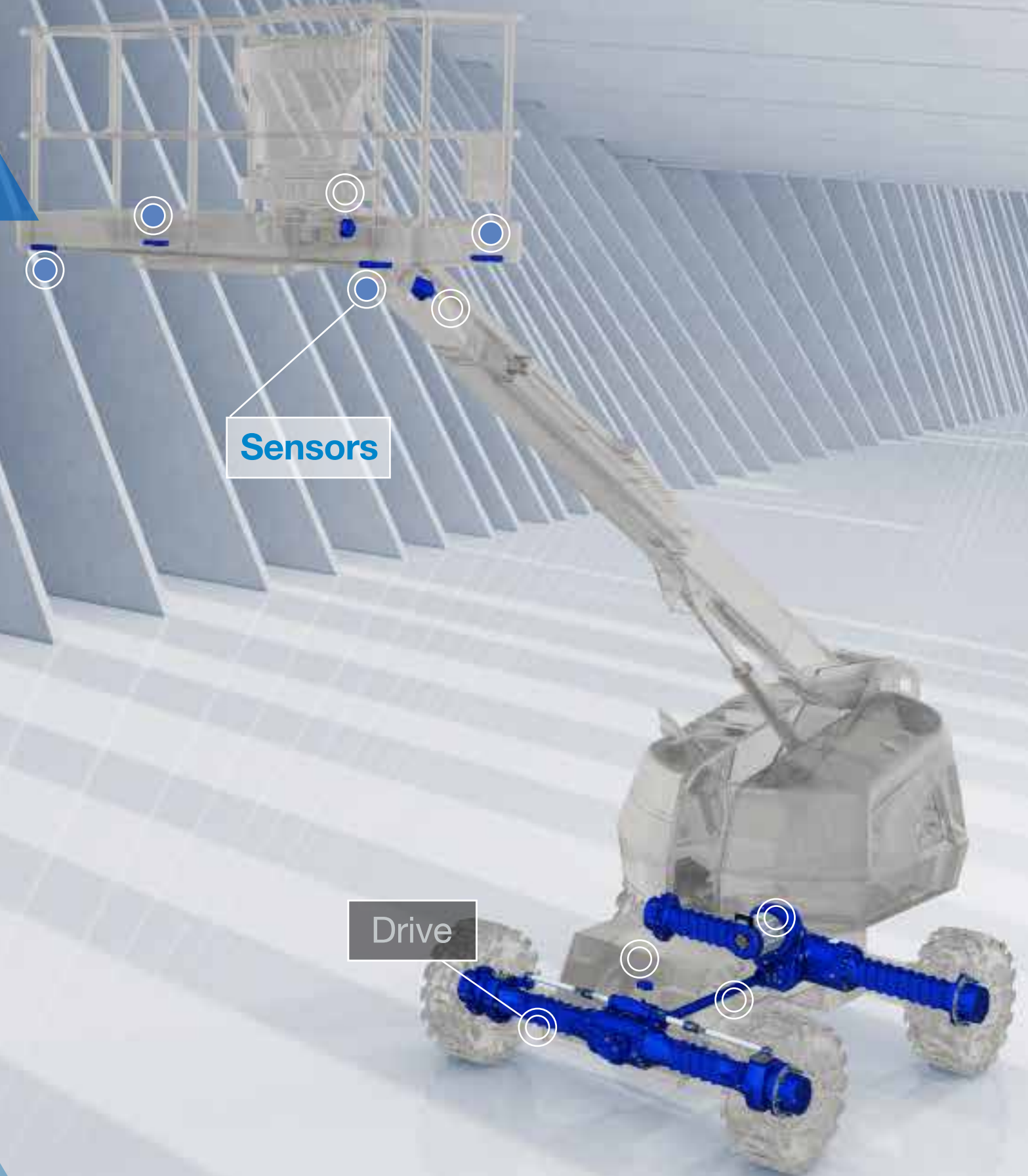
Drive \ Sensors

Brevini® electronic sensors
Load Sensor



Key features and benefits

- Waterproof robust and compact body
- Dual\Redundant output available for PLd EN13849 safety systems
- Optional thermal compensation available



Telescopic Boom

Articulated Boom

Slab Scissor

RT Scissor

Conventional \ Electrified

4 WHEEL DRIVE

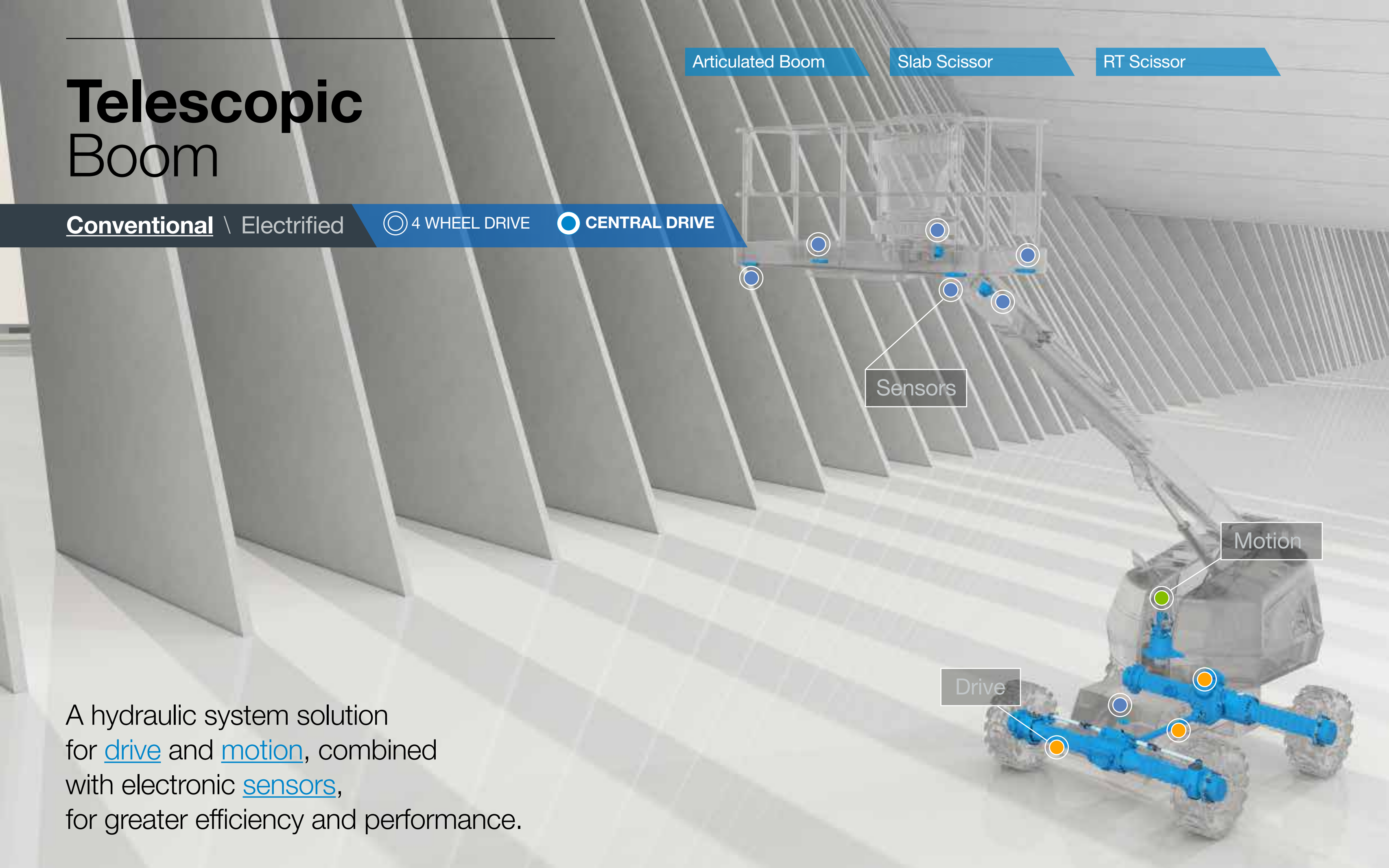
CENTRAL DRIVE

Sensors

Motion

Drive

A hydraulic system solution for [drive](#) and [motion](#), combined with electronic [sensors](#), for greater efficiency and performance.



Telescopic Boom

Articulated Boom

Slab Scissor

RT Scissor

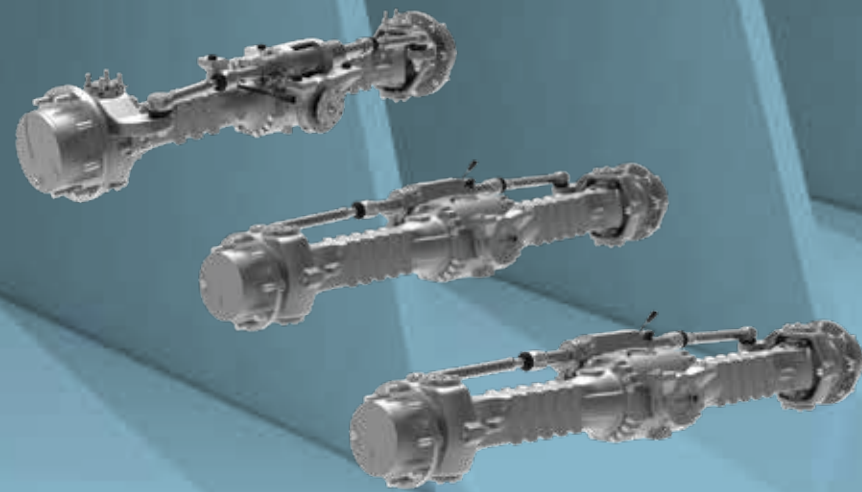
Conventional \ Electrified

⊙ 4 WHEEL DRIVE

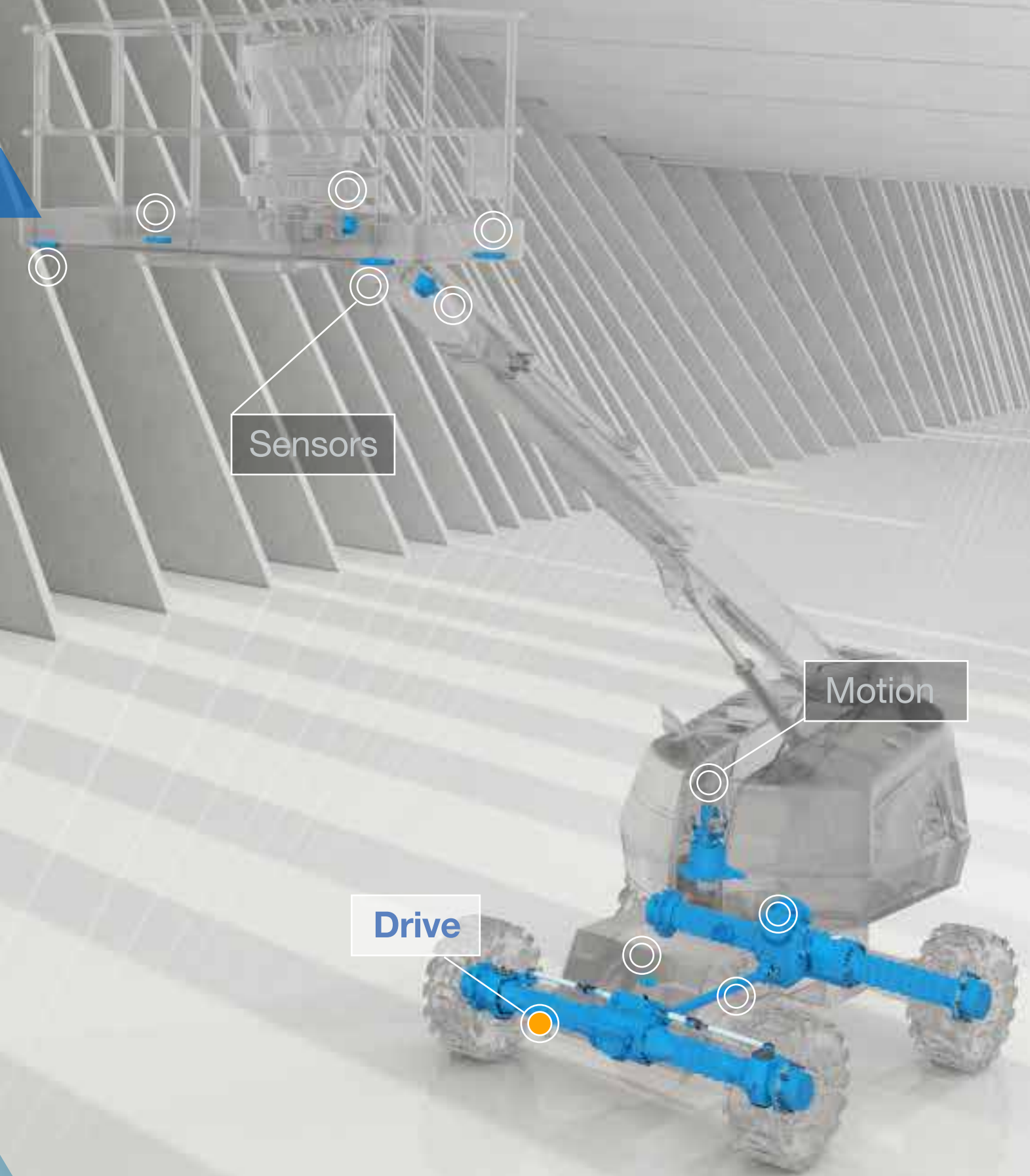
⊙ CENTRAL DRIVE

Drive \ Motion \ Sensors

Spicer®
Front axle 211, 212, 212HD



Platform Size	Small	Medium	Large
Working Height [m]	9 to 16	18 to 21	22 to 30
Working Weight [ton]	up to 8	8 to 12	12 to 17
Spicer® Front axle	211	212	212HD



Telescopic Boom

Articulated Boom

Slab Scissor

RT Scissor

Conventional \ Electrified

⊙ 4 WHEEL DRIVE

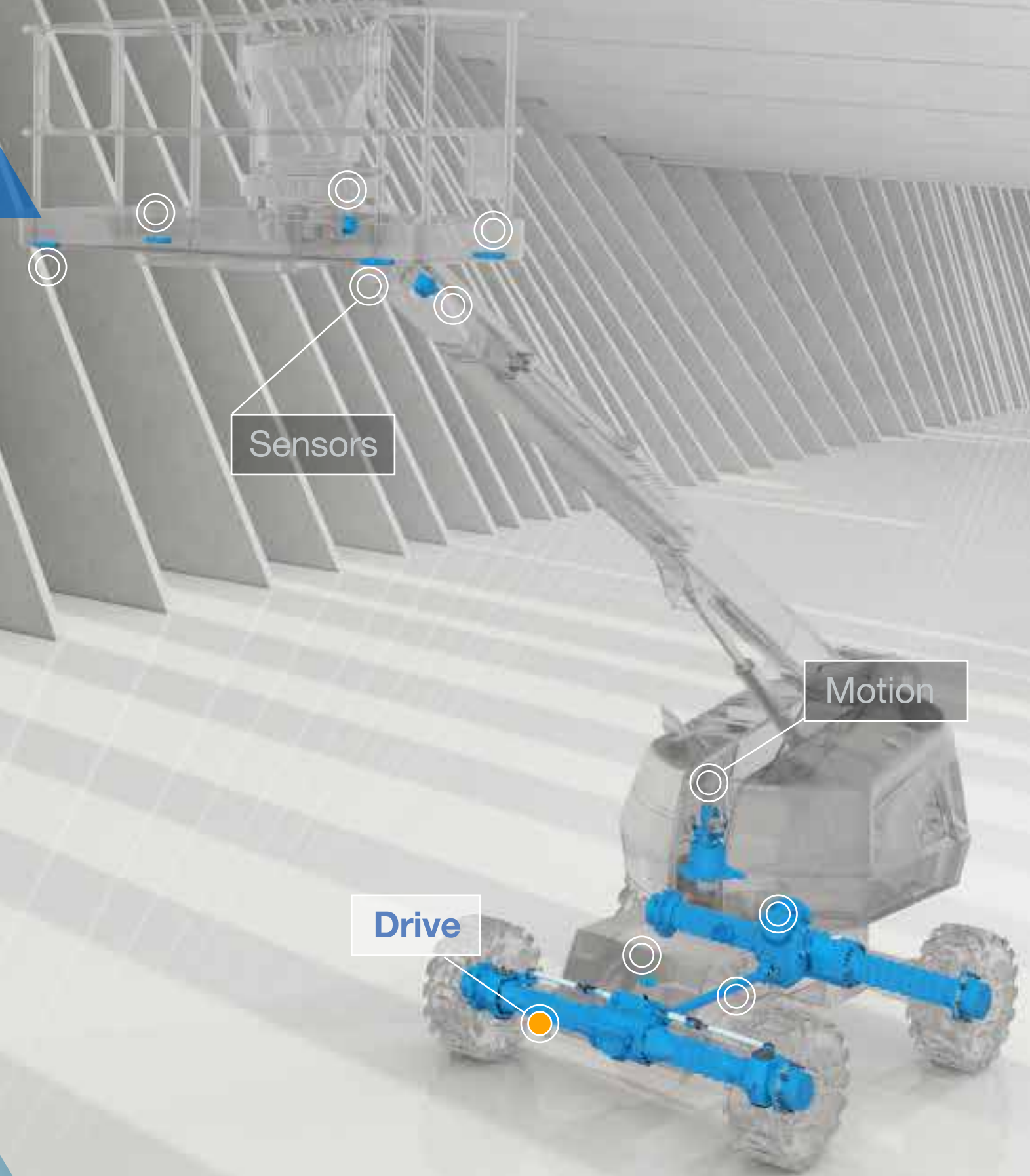
⊙ CENTRAL DRIVE

Drive \ Motion \ Sensors

Key features and benefits

- Planetary steering axle
- High driveline efficiency
- Minimal impact on vehicle frame
- Easy, low-cost service, and maintenance
- Different hub reduction sizes

Platform Size	Small	Medium	Large
Working Height [m]	9 to 16	18 to 21	22 to 30
Working Weight [ton]	up to 8	8 to 12	12 to 17
Spicer® Front axle	211	212	212HD



Telescopic Boom

Articulated Boom

Slab Scissor

RT Scissor

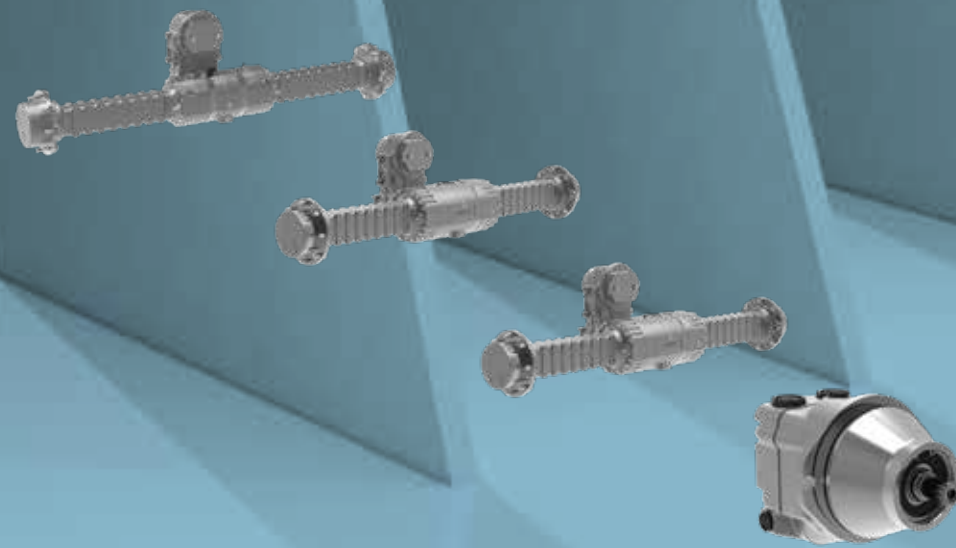
Conventional \ Electrified

4 WHEEL DRIVE

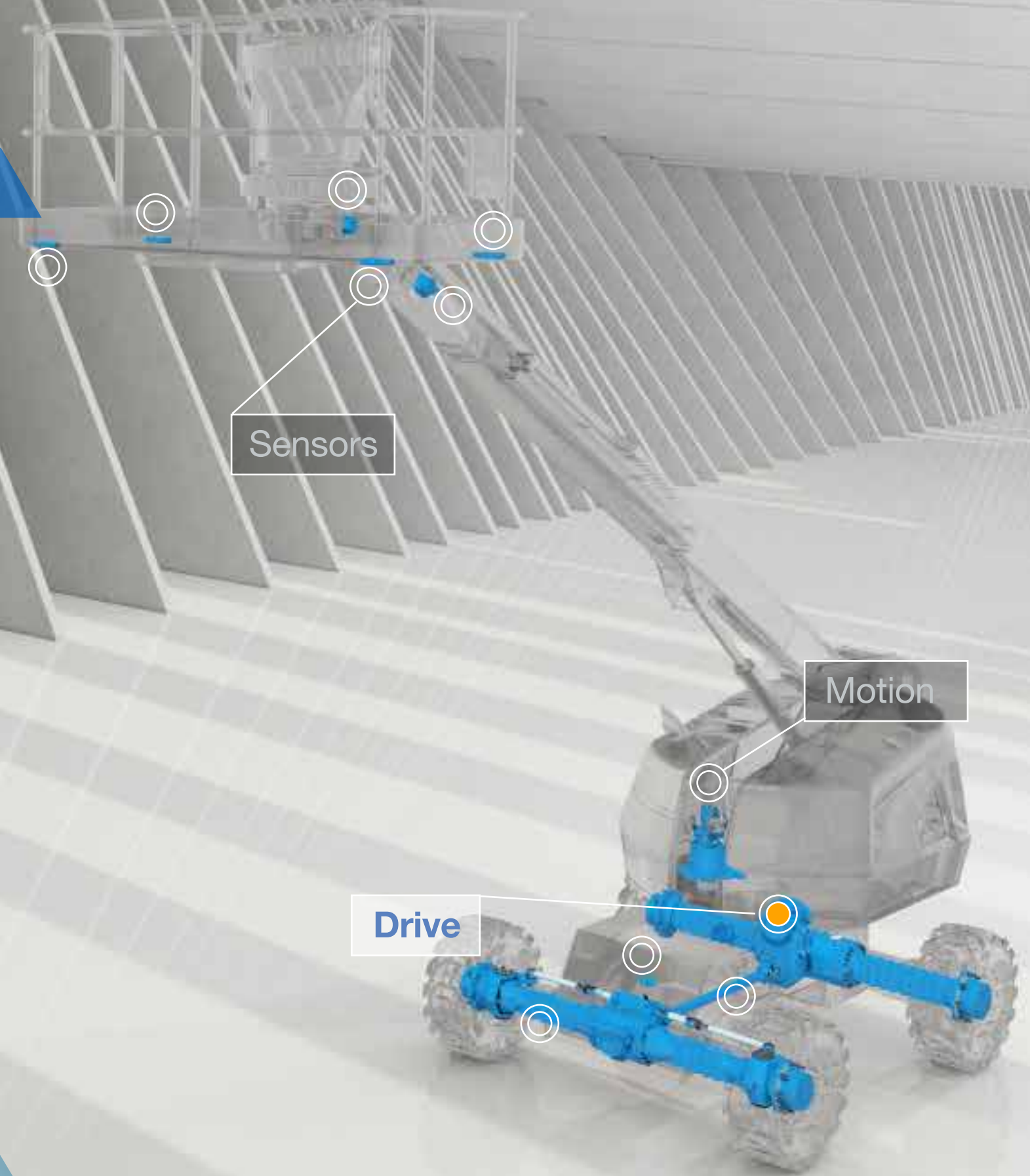
CENTRAL DRIVE

Drive \ Motion \ Sensors

Spicer® Rear axle 111, 112, 112HD with Spicer® 301 Dropbox and Brevini® Hydraulic Motor B5VR Series



Platform Size	Small	Medium	Large
Working Height [m]	9 to 16	18 to 21	22 to 30
Working Weight [ton]	up to 8	8 to 12	12 to 17
Spicer® Rear axle	211	212	212HD
Dropbox	301	301	301
Brevini® Hydraulic Motor	B5VR38	B5VR38	2X B5VR38



Sensors

Motion

Drive

Telescopic Boom

Articulated Boom

Slab Scissor

RT Scissor

Conventional \ Electrified

⊙ 4 WHEEL DRIVE

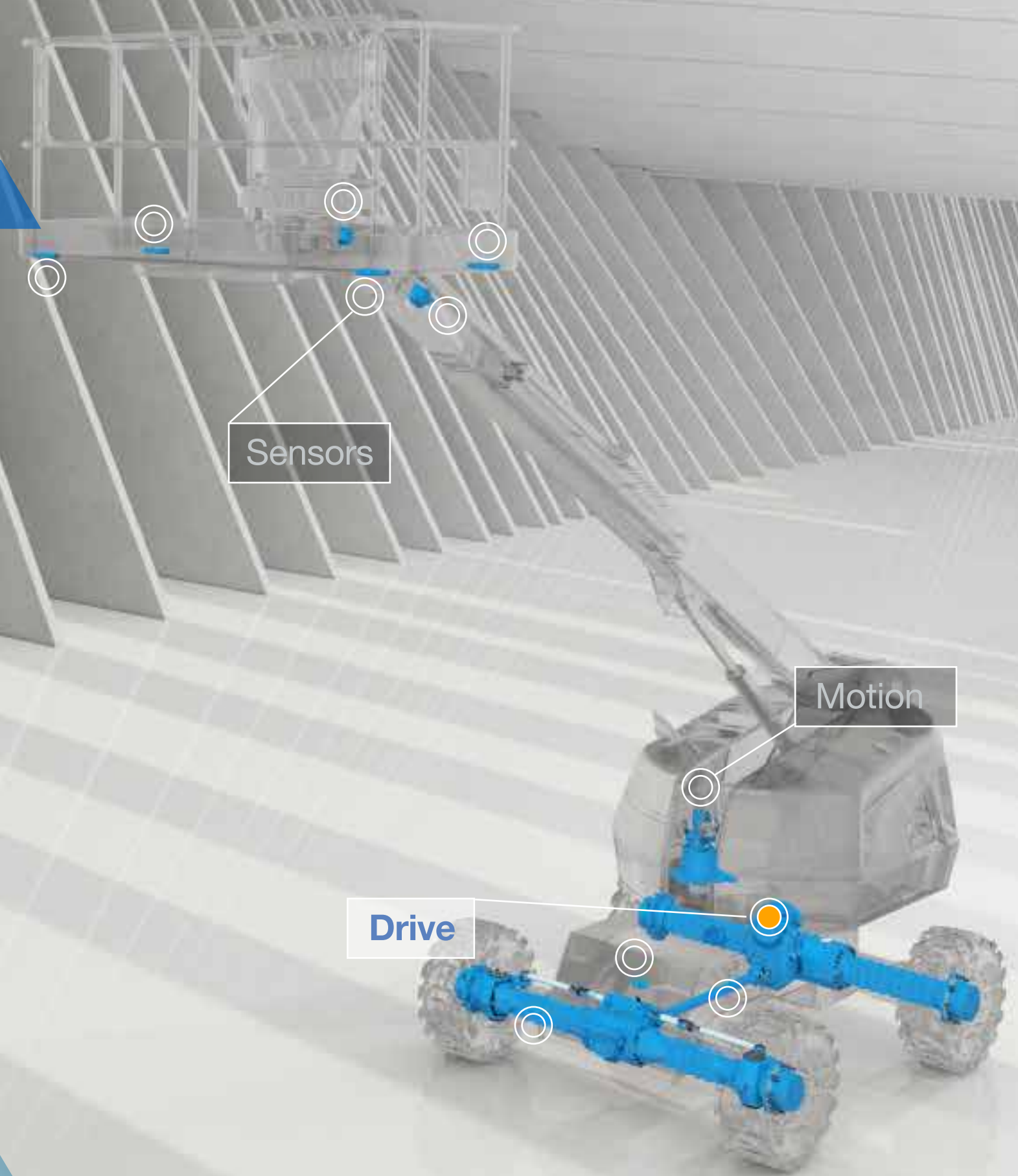
⊙ **CENTRAL DRIVE**

Drive \ Motion \ Sensors

Key features and benefits

- Planetary rigid axles, based on modular axle, driven by hydraulic motor
- Available in a variety of configurations and ratios
- Single speed dropbox directly flanged to Spicer® axles, designed to enhance vehicle mobility and allow for quick deployment from worksite to worksite
- Optimized NVH and efficiency

Platform Size	Small	Medium	Large
Working Height [m]	9 to 16	18 to 21	22 to 30
Working Weight [ton]	up to 8	8 to 12	12 to 17
Spicer® Rear axle	211	212	212HD
Dropbox	301	301	301
Brevini® Hydraulic Motor	B5VR38	B5VR38	2X B5VR38



Telescopic Boom

Articulated Boom

Slab Scissor

RT Scissor

Conventional \ Electrified

⊙ 4 WHEEL DRIVE

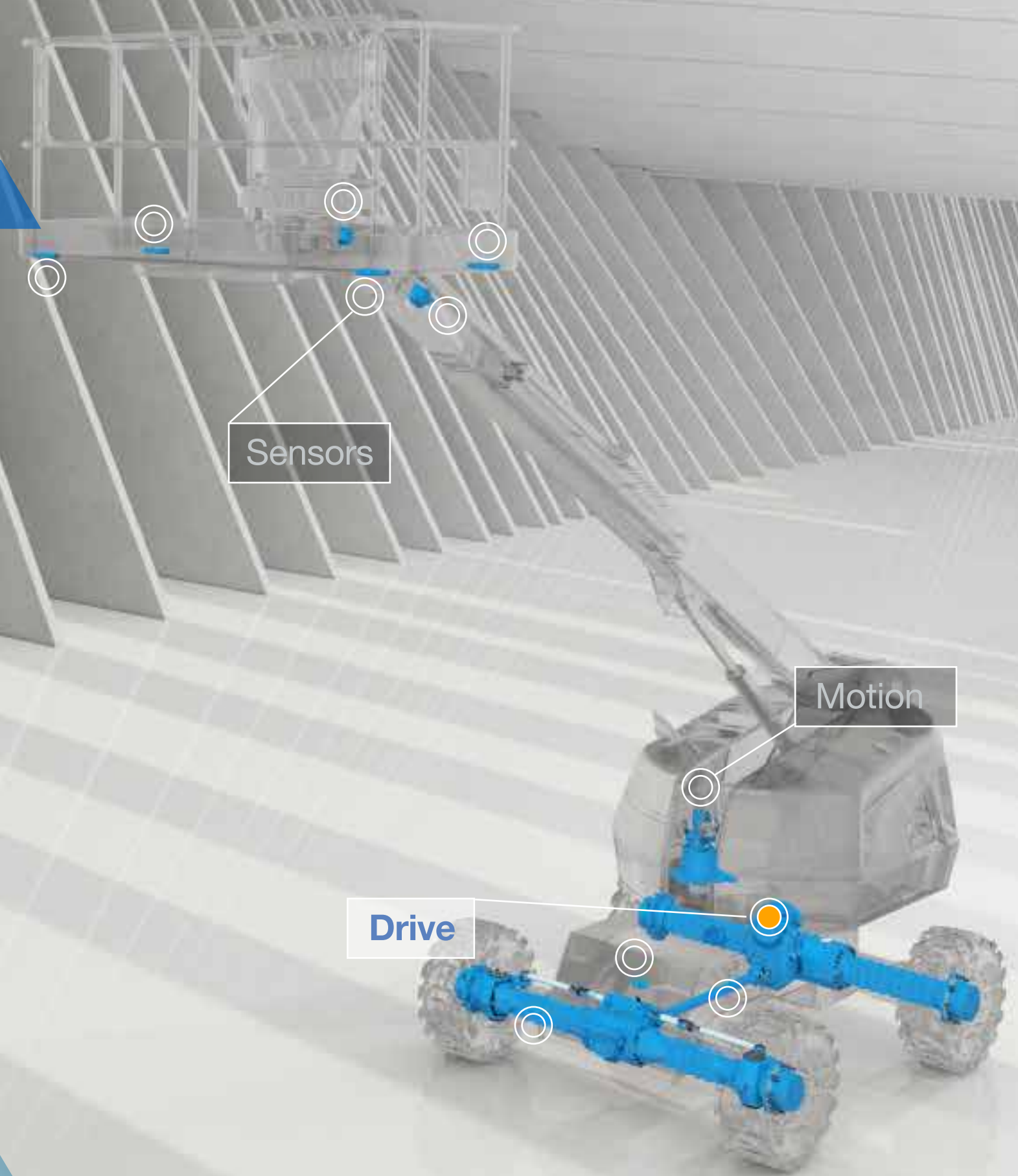
⊙ **CENTRAL DRIVE**

Drive \ Motion \ Sensors

Key features and benefits

- Four-wheel drive engagement
- Optional electromagnetic spring applied parking brake
- Integrated Brevini® Hydraulic Motor B5VR designed for maximum efficiency and smooth functioning
- Multiple displacements available
- Speed sensor with null speed signal

Platform Size	Small	Medium	Large
Working Height [m]	9 to 16	18 to 21	22 to 30
Working Weight [ton]	up to 8	8 to 12	12 to 17
Spicer® Rear axle	211	212	212HD
Dropbox	301	301	301
Brevini® Hydraulic Motor	B5VR38	B5VR38	2X B5VR38



Telescopic Boom

Articulated Boom

Slab Scissor

RT Scissor

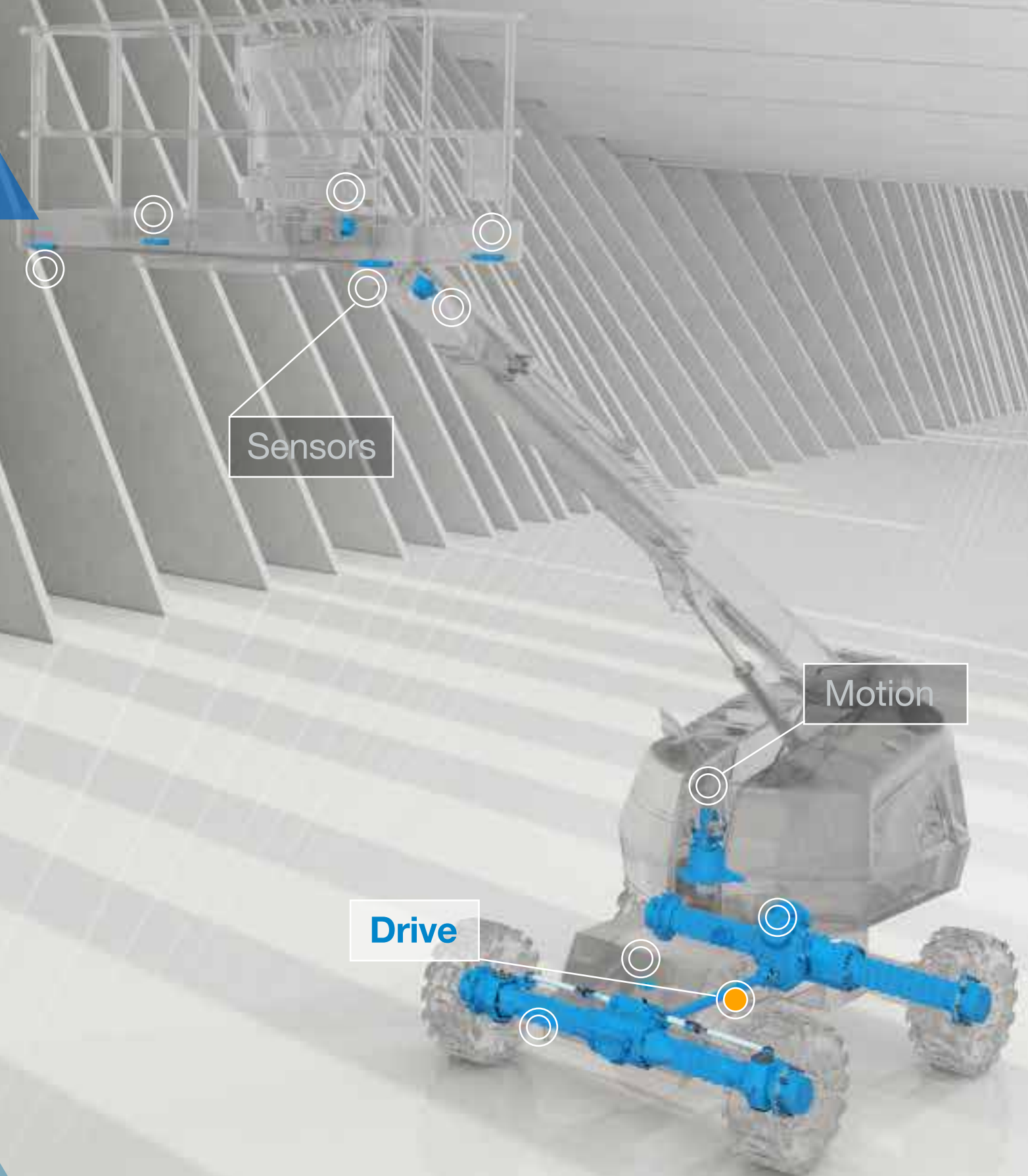
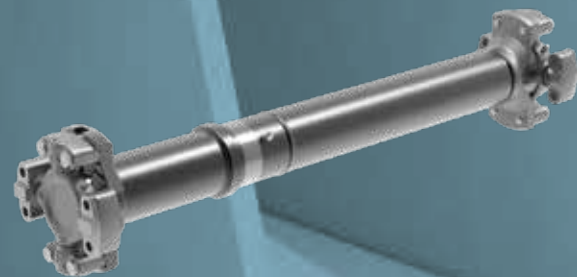
Conventional \ Electrified

⊙ 4 WHEEL DRIVE

● CENTRAL DRIVE

Drive \ Motion \ Sensors

Spicer® Driveshaft 10 Series



Platform Size	Small	Medium	Large
Working Height [m]	9 to 16	18 to 21	22 to 30
Working Weight [ton]	up to 8	8 to 12	12 to 17
Spicer® Driveshaft	10 Series	10 Series	10 Series



Telescopic Boom

Articulated Boom

Slab Scissor

RT Scissor

Conventional \ Electrified

⊙ 4 WHEEL DRIVE

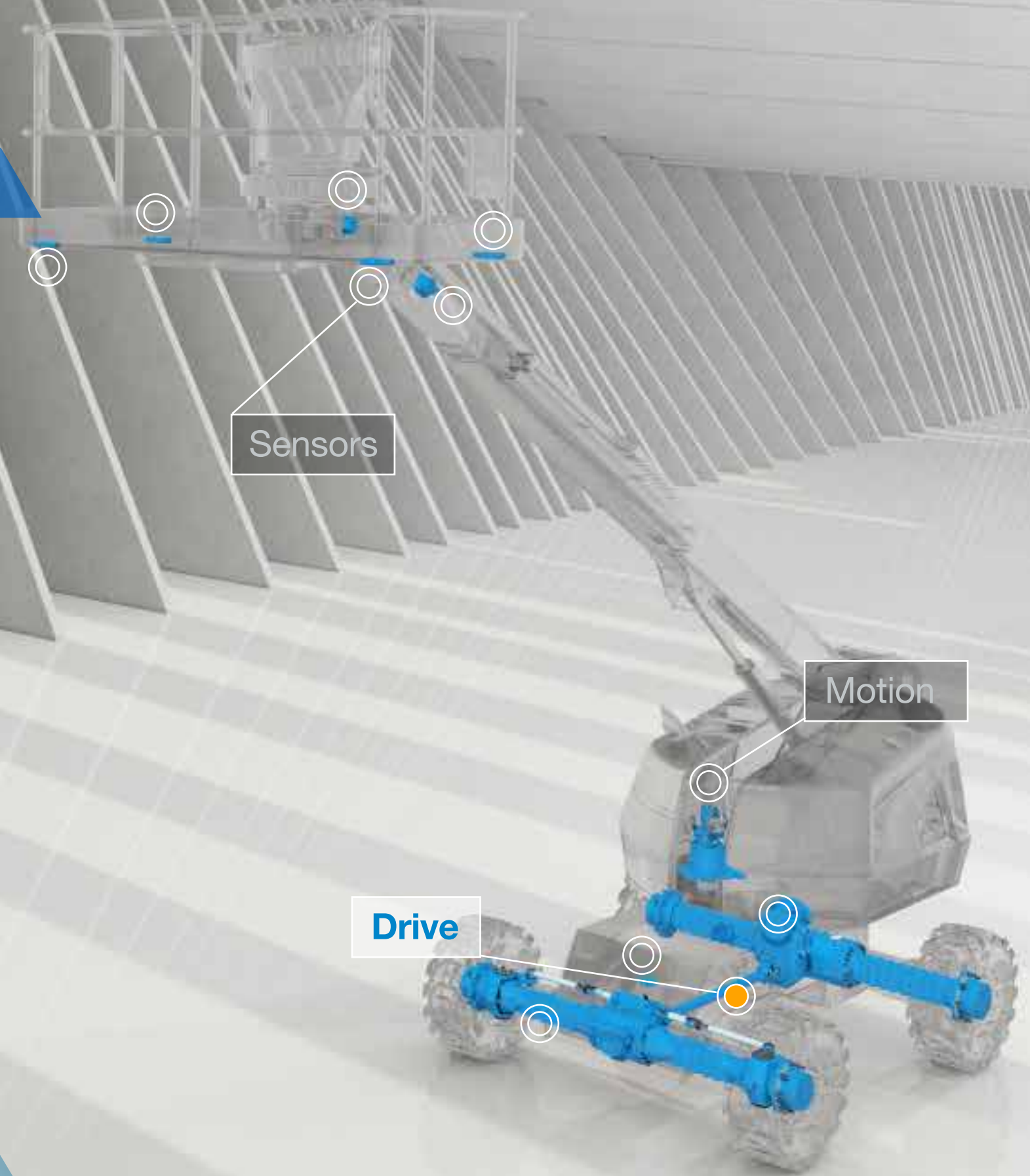
● CENTRAL DRIVE

Drive \ Motion \ Sensors

Key features and benefits

- Extended Spline Life
- Reduced Thrust Load under Pressure
- Lower Friction under Load
- Superior Needle Bearing Retention
- Easy to Service Universal Joints
- Extended or Permanent Lubrication available on request

Platform Size	Small	Medium	Large
Working Height [m]	9 to 16	18 to 21	22 to 30
Working Weight [ton]	up to 8	8 to 12	12 to 17
Spicer® Driveshaft	10 Series	10 Series	10 Series



Telescopic Boom

Articulated Boom

Slab Scissor

RT Scissor

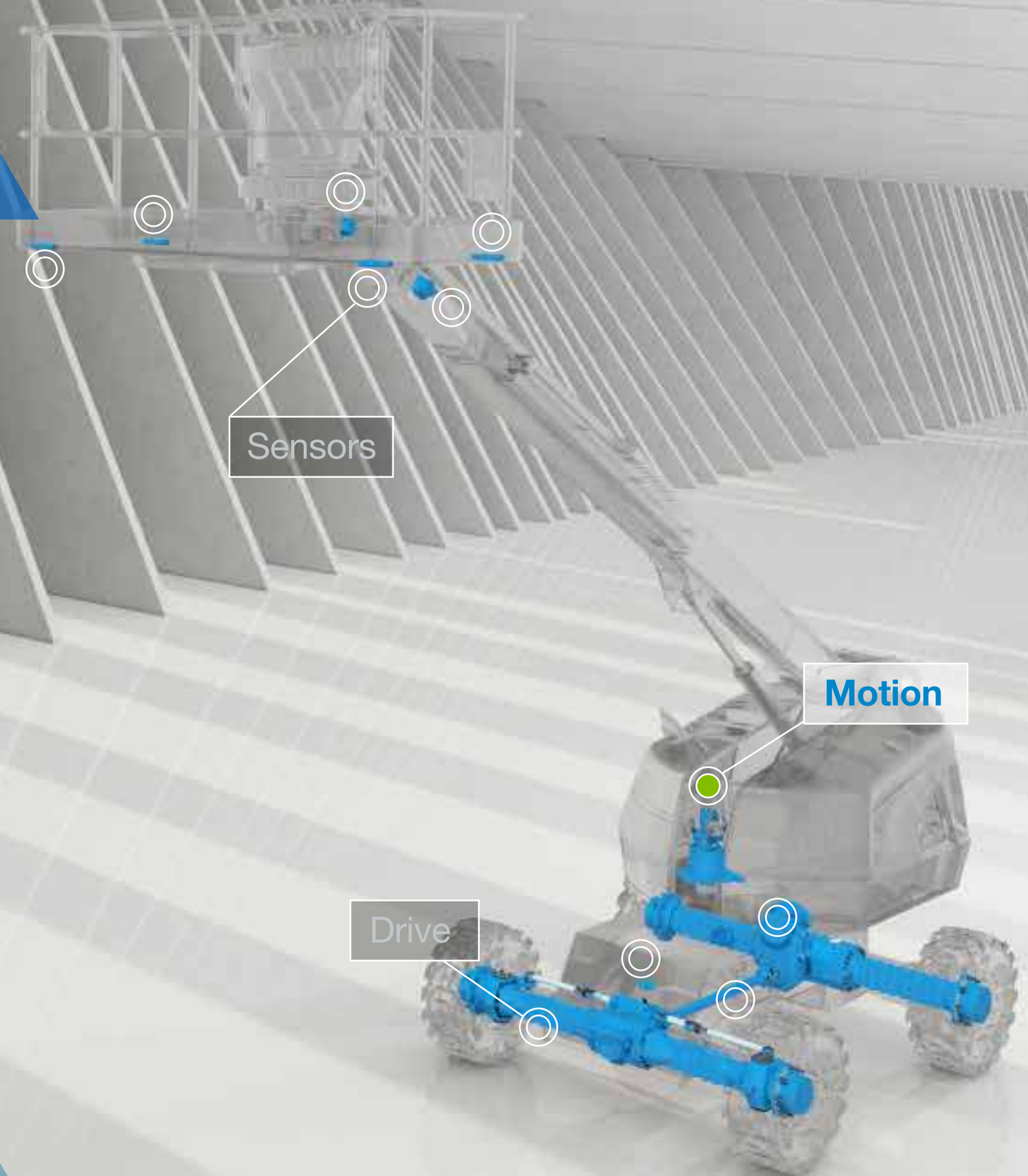
Conventional \ Electrified

4 WHEEL DRIVE

CENTRAL DRIVE

Drive \ [Motion](#) \ Sensors

Brevini® Slew Drive P Series with Brevini® Orbital Motor BS Series



Platform Size	Small	Medium	Large	X-Large	XX-Large
Working Height [m]	9 to 16	18 to 21	22 to 30	32 to 40	> 40
Working Weight [ton]	up to 8	8 to 12	12 to 17	17 to 22	> 22
Brevini® Slew Drive	Only motor	P1A	P1A	2 X P1A	2 X P1A
Brevini® Hydraulic Motor	BS130	BS059	BS059	BS059	BS059



Telescopic Boom

Articulated Boom

Slab Scissor

RT Scissor

Conventional \ Electrified

4 WHEEL DRIVE

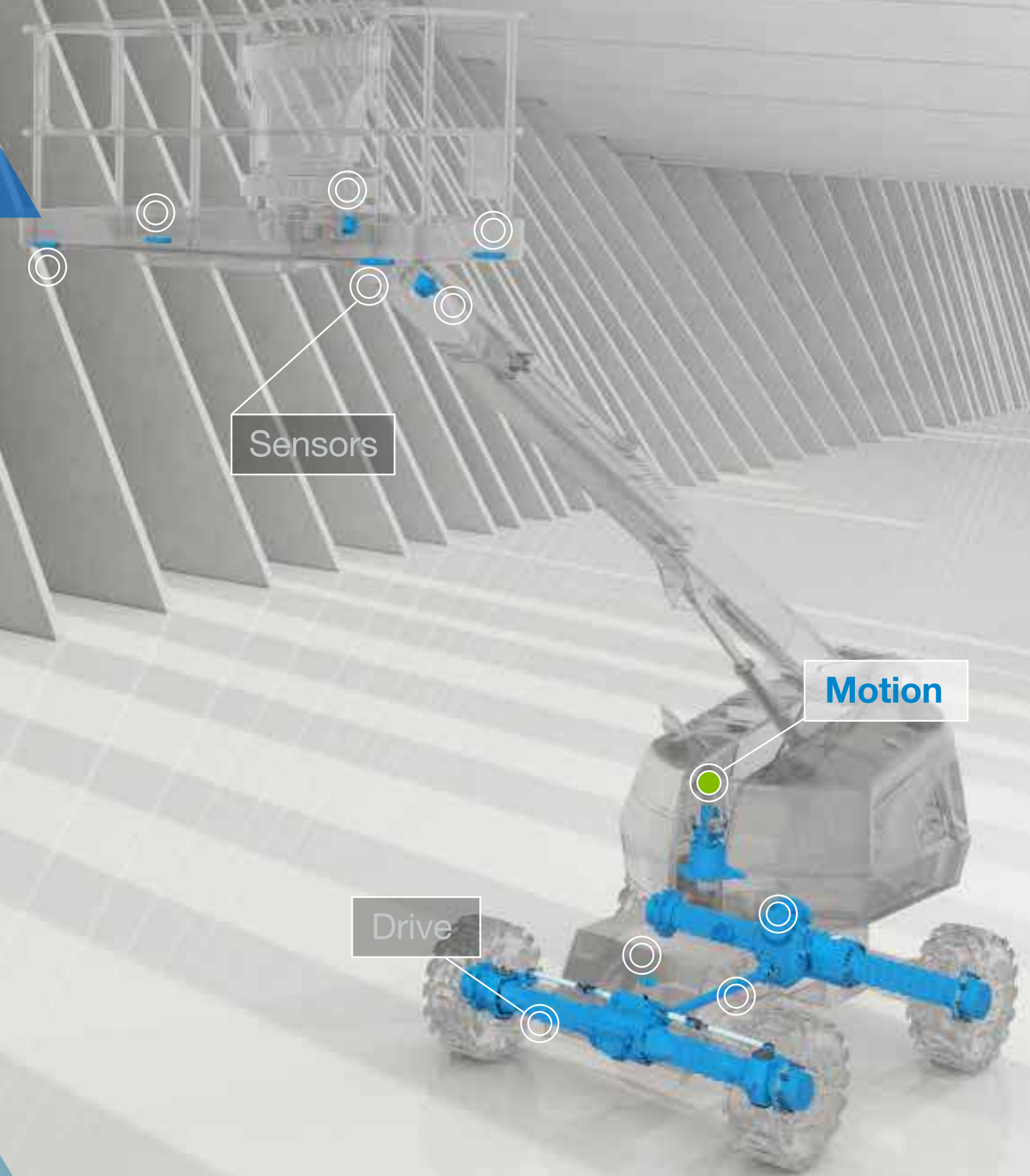
CENTRAL DRIVE

Drive \ Motion \ Sensors

Key features and benefits

- Complete solution with hydraulic orbital motor BS Series offering all-in-one solution for slew drives
- Plug and play assembly complete with lifting lugs
- 2-stage reduction with multiple ratios available
- Many pinion options available, custom pinion upon request

Platform Size	Small	Medium	Large	X-Large	XX-Large
Working Height [m]	9 to 16	18 to 21	22 to 30	32 to 40	> 40
Working Weight [ton]	up to 8	8 to 12	12 to 17	17 to 22	> 22
Brevini® Slew Drive	Only motor	P1A	P1A	2 X P1A	2 X P1A
Brevini® Hydraulic Motor	BS130	BS059	BS059	BS059	BS059



Telescopic Boom

Articulated Boom

Slab Scissor

RT Scissor

Conventional \ Electrified

⊙ 4 WHEEL DRIVE

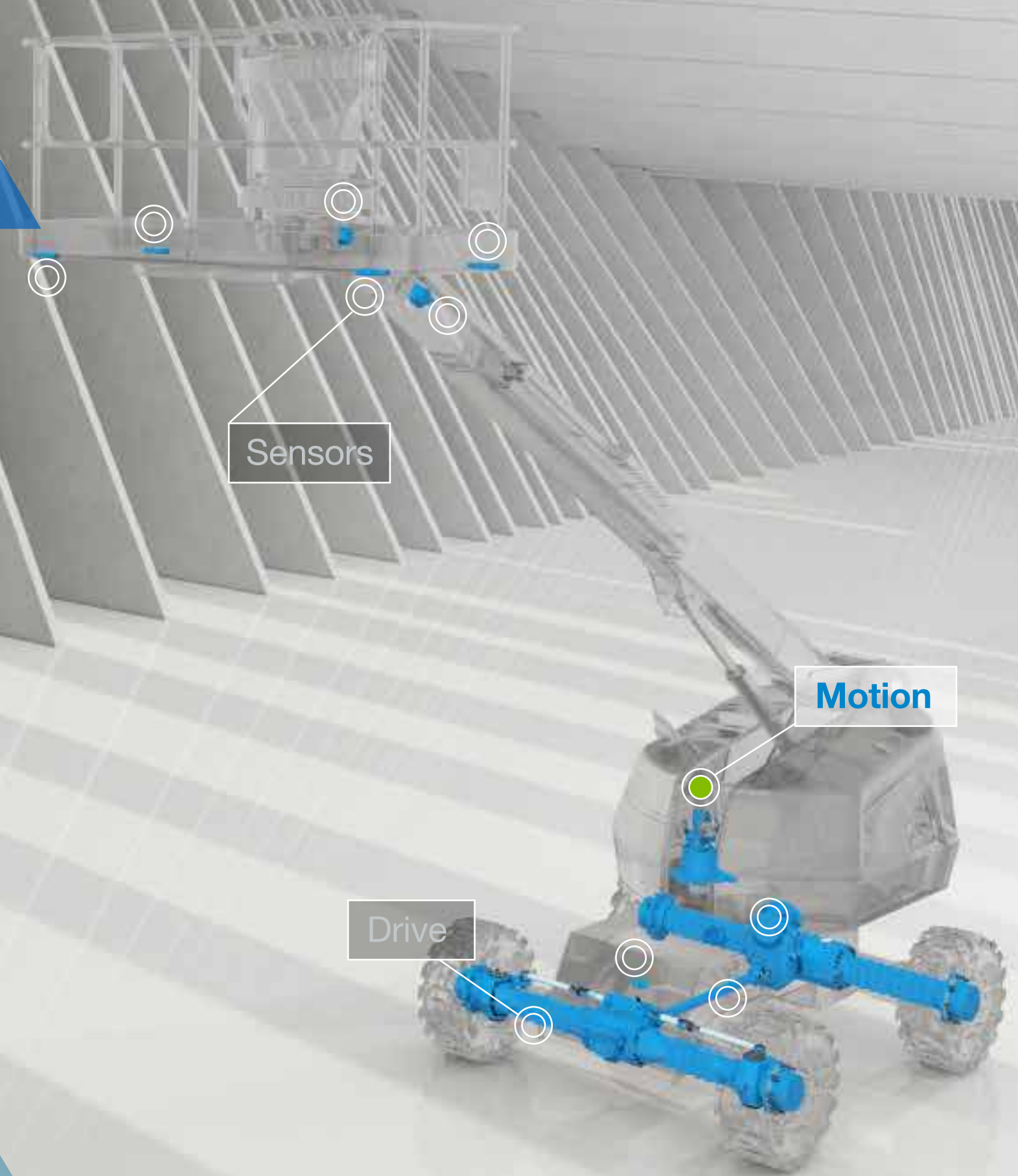
⊙ **CENTRAL DRIVE**

Drive \ Motion \ Sensors

Key features and benefits

- Spring applied, hydraulically released holding brake
- Convenient backlash adjustment feature between pinion and slew bearing
- Orbital Motor with High-performance roller for improved efficiency and life
- Counterbalance valve included with various pressure and pilot setting available

Platform Size	Small	Medium	Large	X-Large	XX-Large
Working Height [m]	9 to 16	18 to 21	22 to 30	32 to 40	> 40
Working Weight [ton]	up to 8	8 to 12	12 to 17	17 to 22	> 22
Brevini® Slew Drive	Only motor	P1A	P1A	2 X P1A	2 X P1A
Brevini® Hydraulic Motor	BS130	BS059	BS059	BS059	BS059



Telescopic Boom

Articulated Boom

Slab Scissor

RT Scissor

Conventional \ Electrified

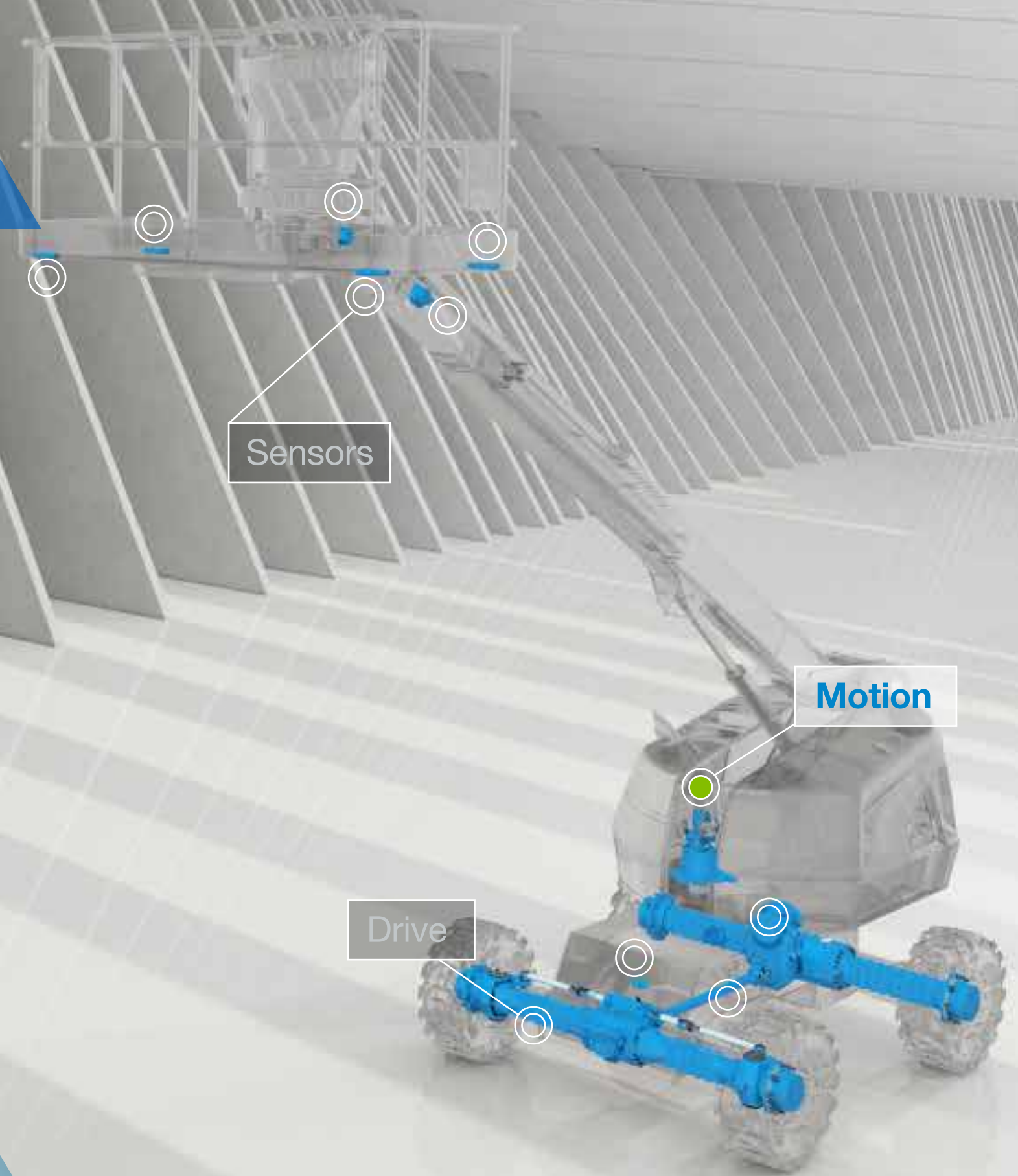
⊙ 4 WHEEL DRIVE

⊙ CENTRAL DRIVE

Drive \ Motion \ Sensors

Key features and benefits

- Built in check valves to relieve case pressure to the low-pressure side of the motor.
- Orbital Motor with spool valve integrated in the output shaft with optimized geometry to minimize leakage



Platform Size	Small	Medium	Large	X-Large	XX-Large
Working Height [m]	9 to 16	18 to 21	22 to 30	32 to 40	> 40
Working Weight [ton]	up to 8	8 to 12	12 to 17	17 to 22	> 22
Brevini® Slew Drive	Only motor	P1A	P1A	2 X P1A	2 X P1A
Brevini® Hydraulic Motor	BS130	BS059	BS059	BS059	BS059



Telescopic Boom

Articulated Boom

Slab Scissor

RT Scissor

Conventional \ Electrified

⦿ 4 WHEEL DRIVE

⦿ CENTRAL DRIVE

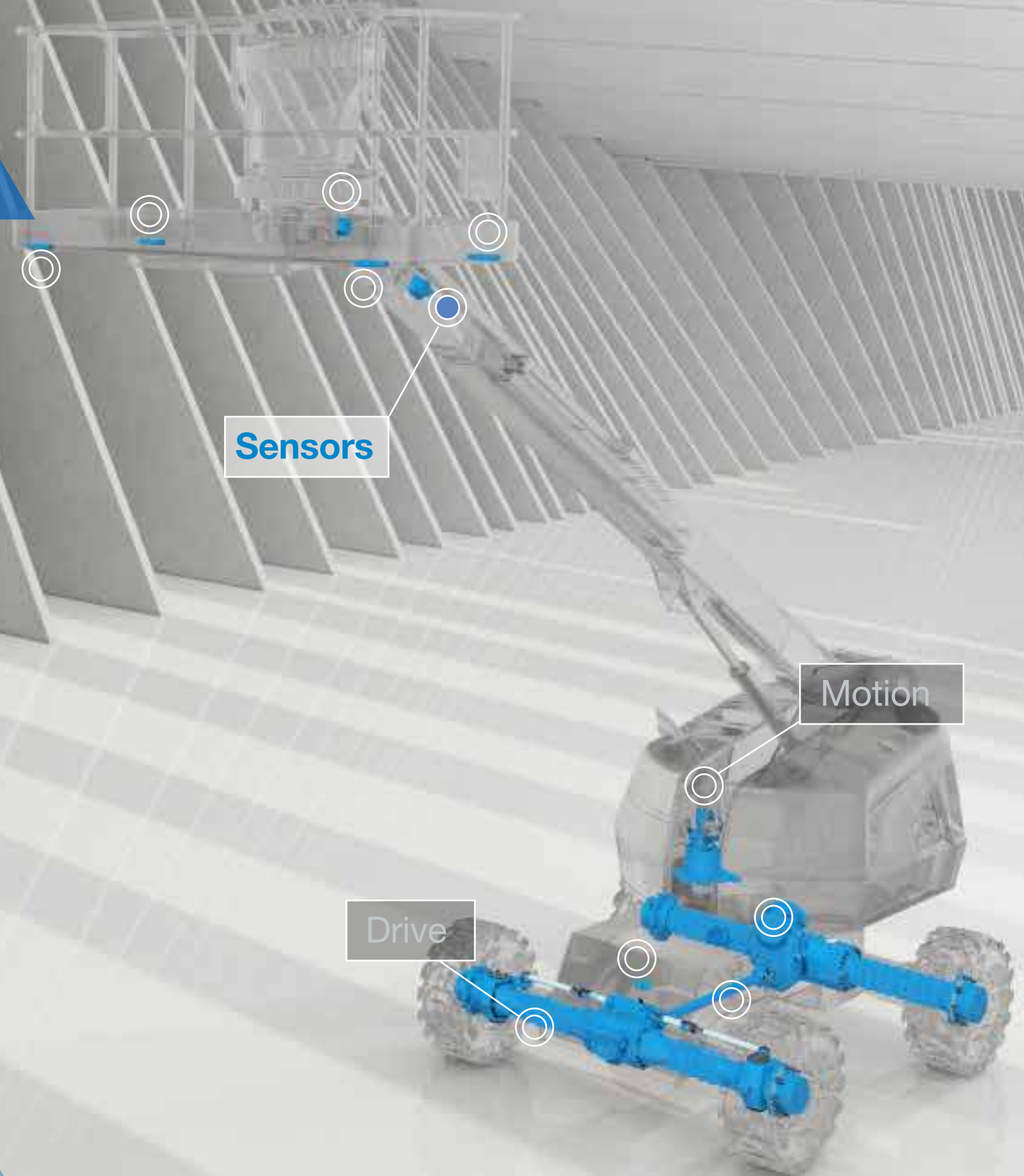
Drive \ Motion \ [Sensors](#)

Brevini® electronic sensors
Boom Extension Transducer



Key features and benefits

- Waterproof robust and compact body
- 1 or 2 axis integrated inclinometer available
- Dual/redundant outputs available for PLd EN13849 safety systems
- Length up to 12.5 meter



Telescopic Boom

Articulated Boom

Slab Scissor

RT Scissor

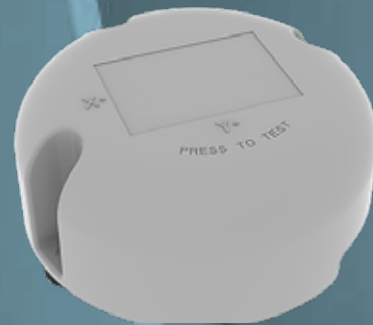
Conventional \ Electrified

4 WHEEL DRIVE

CENTRAL DRIVE

Drive \ Motion \ [Sensors](#)

Brevini® electronic sensors
Digital Inclinometer



Key features and benefits

- Waterproof robust plastic body
- 1 or 2 axis measurement
- Dual/redundant outputs available for PLd EN13849 safety systems
- Optional thermal compensation available



Telescopic Boom

Articulated Boom

Slab Scissor

RT Scissor

Conventional \ Electrified

4 WHEEL DRIVE

CENTRAL DRIVE

Drive \ Motion \ [Sensors](#)

Brevini® electronic sensors
Digital Inclinator



Key features and benefits

- Customizable signal filtration
- Customizable hardness on demand



Sensors

Motion

Drive

Telescopic Boom

Articulated Boom

Slab Scissor

RT Scissor

Conventional \ Electrified

4 WHEEL DRIVE

CENTRAL DRIVE

Drive \ Motion \ [Sensors](#)

Brevini® electronic sensors
Load Sensor



Key features and benefits

- Waterproof robust and compact body
- Dual\Redundant output available for PLd EN13849 safety systems
- Optional thermal compensation available



RT Scissor

Conventional \ **Electrified**

Articulated Boom

Telescopic Boom

Slab Scissor

4 Wheel Drives

Propelling machines with two or four individual compact wheel drives that combine Spicer Torque-Hub™ planetary gearboxes with Dana TM4™ electric motors to provide optimum traction control when working on a job site.

 **Discover**

Central Drive

By combining Spicer® axles and centralized high efficiency gearboxes with Dana TM4™ electric motors. Our axle solutions can deliver the tractive effort required while maintaining axle supported machine designs.

 **Discover**

RT Scissor

Conventional \ **Electrified**

4 WHEEL DRIVE CENTRAL DRIVE

Articulated Boom

Telescopic Boom

Slab Scissor

Sensors

Drive

An electro-mechanical system solution for [drive](#), with electronic [sensors](#), for greater efficiency with less size and weight and long-life performance.



RT Scissor

Articulated Boom

Telescopic Boom

Slab Scissor

Conventional \ **Electrified**

4 WHEEL DRIVE

CENTRAL DRIVE

Drive \ Sensors

Spicer Electrified™
e-Drive Torque Hub eSAW Series



Platform Size	Medium	Large
Working Height [m]	9 to 12	12 to 18
Working Weight [ton]	3 to 8	8 to 12
e-Drive Torque Hub	eSAW04	eSAW07
Dana TM4™	200-33	200-50

Sensors

Drive



RT Scissor

Articulated Boom

Telescopic Boom

Slab Scissor

Conventional \ **Electrified**

4 WHEEL DRIVE

CENTRAL DRIVE

Drive \ Sensors

Key features and benefits

- 2 sizes with torque outputs of 4kNm and 7kNm engineered to fulfill industry targets for performance, serviceability and durability
- Improves the performance with hybrid and fully electric drive systems
- Fully integrated electro-mechanical system
- Internal integrated electric parking brake design for maximum holding power

Platform Size	Medium	Large
Working Height [m]	9 to 12	12 to 18
Working Weight [ton]	3 to 8	8 to 12
e-Drive Torque Hub	eSAW04	eSAW07
Dana TM4™	200-33	200-50

Sensors

Drive



RT Scissor

Articulated Boom

Telescopic Boom

Slab Scissor

Conventional \ **Electrified**

4 WHEEL DRIVE

CENTRAL DRIVE

Drive \ Sensors

Key features and benefits

- Dana TM4™ IPM and ACIM Integrated advanced motor technologies for greater efficiency with compact size and weight
- Compact three-stage planetary gear design provides superior gradeability
- IP67 motor protection from environmental hazards
- Integrated motor options for design flexibility

Platform Size	Medium	Large
Working Height [m]	9 to 12	12 to 18
Working Weight [ton]	3 to 8	8 to 12
e-Drive Torque Hub	eSAW04	eSAW07
Dana TM4™	200-33	200-50



Sensors

Drive



RT Scissor

Articulated Boom

Telescopic Boom

Slab Scissor

Conventional \ **Electrified**

4 WHEEL DRIVE CENTRAL DRIVE

Drive \ [Sensors](#)

Brevini® electronic sensors
Digital Inclinomometer



Key features and benefits

- Waterproof robust plastic body
- 1 or 2 axis measurement
- Dual/redundant outputs available for PLd EN13849 safety systems
- Optional thermal compensation available

Sensors

Drive

RT Scissor

Articulated Boom

Telescopic Boom

Slab Scissor

Conventional \ **Electrified**

4 WHEEL DRIVE CENTRAL DRIVE

Drive \ Sensors

Brevini® electronic sensors
Digital Inclinometer



Key features and benefits

- Customizable signal filtration
- Customizable hardness on demand

Sensors

Drive



RT Scissor

Conventional \ **Electrified**

Drive \ [Sensors](#)

4 WHEEL DRIVE CENTRAL DRIVE

Articulated Boom

Telescopic Boom

Slab Scissor

Brevini® electronic sensors
Load Sensor



Key features and benefits

- Waterproof robust and compact body
- Dual\Redundant output available for PLd EN13849 safety systems
- Optional thermal compensation available

Sensors

Drive



RT Scissor

Conventional \ Electrified

Articulated Boom

Telescopic Boom

Slab Scissor

4 Wheel Drives

Propelling machines with two or four individual compact wheel drives that combine Spicer Torque-Hub™ planetary gearboxes with Brevini® B5VR hydraulic motors to provide optimum traction control when working on a job site.

 **Discover**

Central Drive

By combining Spicer® axles and centralized high efficiency gearboxes with Brevini® B5VR hydraulic motors. Our axle solutions can deliver the tractive effort required while maintaining axle supported machine designs.

 **Discover**

RT Scissor

Articulated Boom

Telescopic Boom

Slab Scissor

Conventional \ Electrified

4 WHEEL DRIVE

CENTRAL DRIVE

Sensors

Drive

A hydraulic system solution for [drive](#), combined with electronic [sensors](#), for greater efficiency and performance.



RT Scissor

Articulated Boom

Telescopic Boom

Slab Scissor

Conventional \ Electrified

4 WHEEL DRIVE CENTRAL DRIVE

Drive \ Sensors

Spicer Torque-Hub™
H Series Wheel Drive



Platform Size	Medium	Large
Working Height [m]	9 to 12	12 to 18
Working Weight [ton]	3 to 8	8 to 12
Spicer Torque-Hub™	4H	7H



Sensors

Drive



RT Scissor

Articulated Boom

Telescopic Boom

Slab Scissor

Conventional \ Electrified

4 WHEEL DRIVE CENTRAL DRIVE

Drive \ Sensors

Key features and benefits

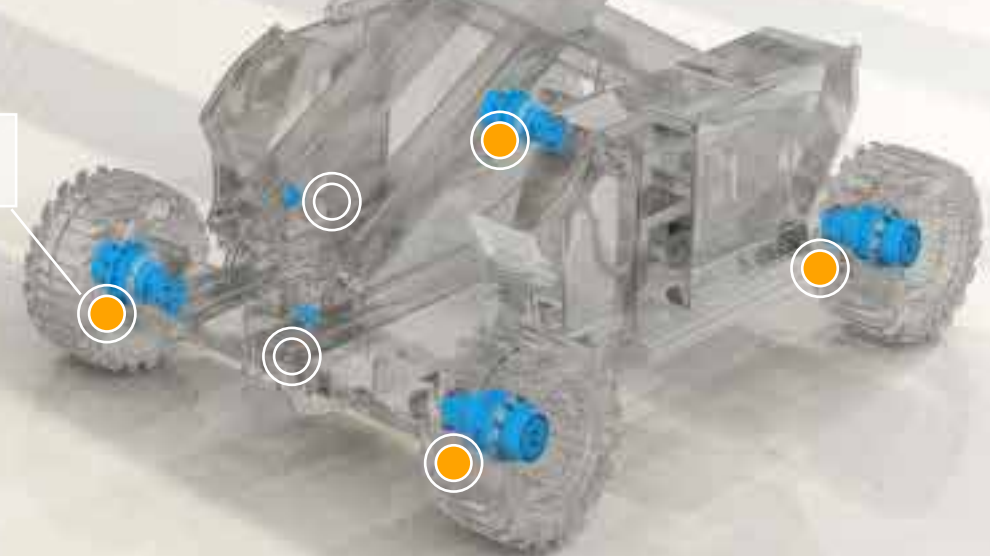
- Product range engineered for best-in-class efficiency
- Torque ratings from 4kNm to 7kNm engineered to maximize efficiency and reliability
- Deliver exceptional maneuverability and proven robustness to final drive Pressure up to 420 bar
- Low maintenance requirements and easy to service

Platform Size	Medium	Large
Working Height [m]	9 to 12	12 to 18
Working Weight [ton]	3 to 8	8 to 12
Spicer Torque-Hub™	4H	7H



Sensors

Drive



RT Scissor

Articulated Boom

Telescopic Boom

Slab Scissor

Conventional \ Electrified

4 WHEEL DRIVE CENTRAL DRIVE

Drive \ Sensors

Key features and benefits

- Sealing system, hub and spindle designed for severe environmental conditions
- Integrated parking brake to meet safety standards
- Complete drive package with B5VR motor for smooth operations

Platform Size	Medium	Large
Working Height [m]	9 to 12	12 to 18
Working Weight [ton]	3 to 8	8 to 12
Spicer Torque-Hub™	4H	7H



Drive

Sensors



RT Scissor

Articulated Boom

Telescopic Boom

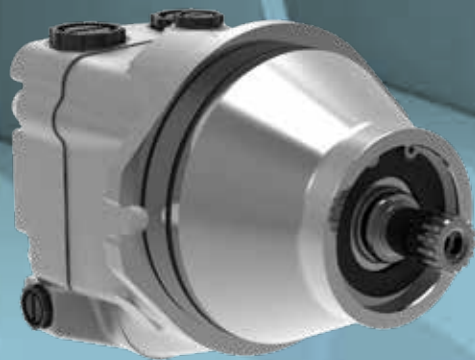
Slab Scissor

Conventional \ Electrified

4 WHEEL DRIVE CENTRAL DRIVE

Drive \ Sensors

Brevini® Hydraulic Motor
B5VR Series



Platform Size	Medium	Large
Working Height [m]	9 to 12	12 to 18
Working Weight [ton]	3 to 8	8 to 12
Brevini® Hydraulic Motor	B5VR25*	B5VR30

* coming soon

Sensors

Drive



RT Scissor

Articulated Boom

Telescopic Boom

Slab Scissor

Conventional \ Electrified

4 WHEEL DRIVE CENTRAL DRIVE

Drive \ Sensors

Key features and benefits

- For closed and open loop circuits
- State-of-the-art 9-piston rotating kit

Designed for maximum efficiency
■ and smooth functioning

- Pressure up to 420 bar
- Twin rear and side ports

Platform Size	Medium	Large
Working Height [m]	9 to 12	12 to 18
Working Weight [ton]	3 to 8	8 to 12
Brevini® Hydraulic Motor	B5VR25*	B5VR30

* coming soon

Sensors

Drive



RT Scissor

Articulated Boom

Telescopic Boom

Slab Scissor

Conventional \ Electrified

4 WHEEL DRIVE CENTRAL DRIVE

Drive \ Sensors

Key features and benefits

- Reduced max displacements available
- Multiple minimum displacement options including null displacement
- Speed sensor with null speed signal
- Embedded flushing valve for closed loop circuit

Platform Size	Medium	Large
Working Height [m]	9 to 12	12 to 18
Working Weight [ton]	3 to 8	8 to 12
Brevini® Hydraulic Motor	B5VR25*	B5VR30

* coming soon

Sensors

Drive



RT Scissor

Articulated Boom

Telescopic Boom

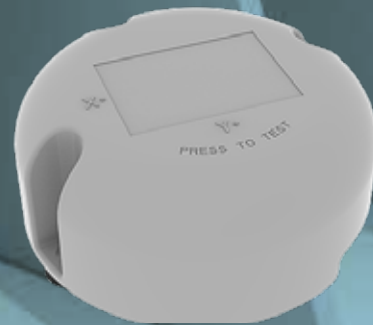
Slab Scissor

Conventional \ Electrified

4 WHEEL DRIVE CENTRAL DRIVE

Drive \ [Sensors](#)

Brevini® electronic sensors
Digital Inclinator



Key features and benefits

- Waterproof robust plastic body
- 1 or 2 axis measurement
- Dual/redundant outputs available for PLd EN13849 safety systems
- Optional thermal compensation available

Sensors

Drive

RT Scissor

Articulated Boom

Telescopic Boom

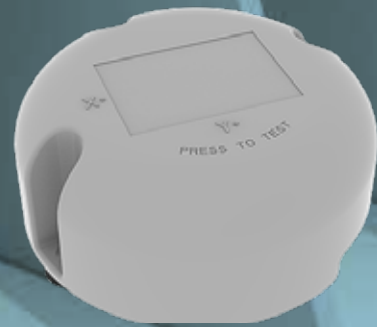
Slab Scissor

Conventional \ Electrified

4 WHEEL DRIVE CENTRAL DRIVE

Drive \ [Sensors](#)

Brevini® electronic sensors
Digital Inclinator



Key features and benefits

- Customizable signal filtration
- Customizable hardness on demand

Sensors

Drive



RT Scissor

Articulated Boom

Telescopic Boom

Slab Scissor

Conventional \ Electrified

4 WHEEL DRIVE CENTRAL DRIVE

Drive \ [Sensors](#)

Brevini[®] electronic sensors
Load Sensor



Key features and benefits

- Waterproof robust and compact body
- Dual\Redundant output available for PLd EN13849 safety systems
- Optional thermal compensation available

Sensors

Drive



RT Scissor

Articulated Boom

Telescopic Boom

Slab Scissor

Conventional \ **Electrified**

4 WHEEL DRIVE

CENTRAL DRIVE

Sensors

Drive

An electro-mechanical system solution for [drive](#), with electronic [sensors](#), for greater efficiency with less size and weight and long-life performance.



RT Scissor

Articulated Boom

Telescopic Boom

Slab Scissor

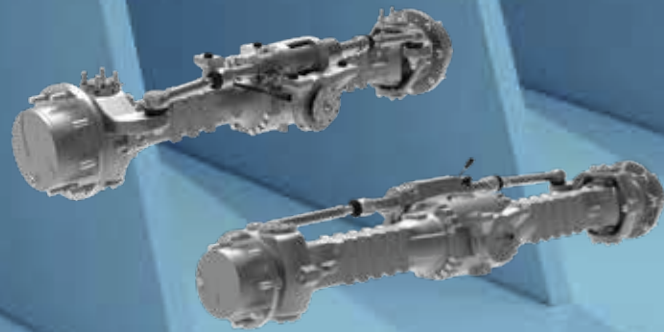
Conventional \ **Electrified**

4 WHEEL DRIVE

CENTRAL DRIVE

Drive \ Sensors

Spicer®
Front axle 211, 212



Sensors

Drive

Platform Size	Medium	Large
Working Height [m]	9 to 12	12 to 18
Working Weight [ton]	3 to 8	8 to 12
Spicer® Front axle	211	212



RT Scissor

Articulated Boom

Telescopic Boom

Slab Scissor

Conventional \ **Electrified**

4 WHEEL DRIVE

CENTRAL DRIVE

Drive \ Sensors

Key features and benefits

- Planetary steering axle
- High driveline efficiency
- Minimal impact on vehicle frame
- Easy, low-cost service, and maintenance
- Different hub reduction sizes

Platform Size	Medium	Large
Working Height [m]	9 to 12	12 to 18
Working Weight [ton]	3 to 8	8 to 12
Spicer® Front axle	211	212

Sensors

Drive

RT Scissor

Articulated Boom

Telescopic Boom

Slab Scissor

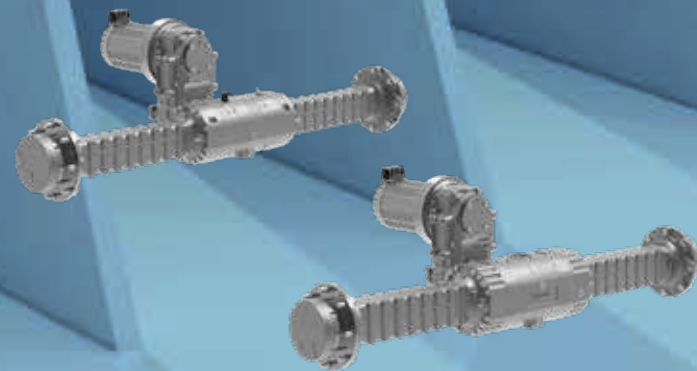
Conventional \ **Electrified**

4 WHEEL DRIVE

CENTRAL DRIVE

Drive \ Sensors

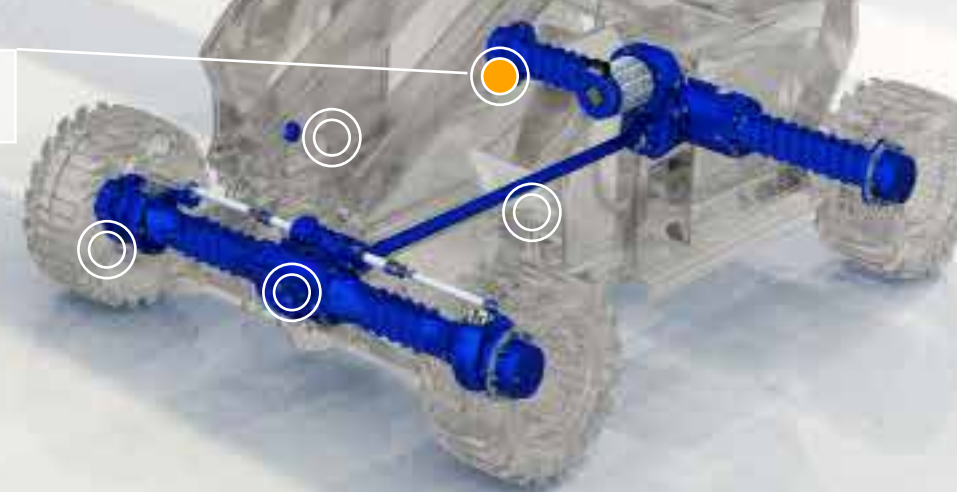
Spicer Electrified™ Rear e-Axle eS111, eS112 with Spicer® eSG001 Dropbox and Dana™ TM4™ Electric Motor



Platform Size	Medium	Large
Working Height [m]	9 to 12	12 to 18
Working Weight [ton]	3 to 8	8 to 12
Spicer Electrified™ Rear e-Axle	eS111	eS112
Dropbox	eSG001	eSG001
Dana TM4™	SRIPM200-150	SRIPM200-200

Sensors

Drive



RT Scissor

Articulated Boom

Telescopic Boom

Slab Scissor

Conventional \ **Electrified**

4 WHEEL DRIVE

CENTRAL DRIVE

Drive \ Sensors

Key features and benefits

- Planetary rigid axles, based on modular axle, driven by electric motor
- Available in a variety of configurations and ratios
- Single speed dropbox directly flanged to Spicer® axles, designed to enhance vehicle mobility and allow for quick deployment from worksite to worksite

Platform Size	Medium	Large
Working Height [m]	9 to 12	12 to 18
Working Weight [ton]	3 to 8	8 to 12
Spicer Electrified™ Rear e-Axle	eS111	eS112
Dropbox	eSG001	eSG001
Dana TM4™	SRIPM200-150	SRIPM200-200



RT Scissor

Articulated Boom

Telescopic Boom

Slab Scissor

Conventional \ **Electrified**

4 WHEEL DRIVE

CENTRAL DRIVE

Drive \ Sensors

Key features and benefits

- Optimized NVH and efficiency for electric applications
- Four-wheel drive engagement
- Optional electromagnetic spring applied parking brake
- Different electric motors technologies to meet performance requirements
- DC voltage range: 48 V to 96 V

Platform Size	Medium	Large
Working Height [m]	9 to 12	12 to 18
Working Weight [ton]	3 to 8	8 to 12
Spicer Electrified™ Rear e-Axle	eS111	eS112
Dropbox	eSG001	eSG001
Dana TM4™	SRIPM200-150	SRIPM200-200

Sensors

Drive

RT Scissor

Articulated Boom

Telescopic Boom

Slab Scissor

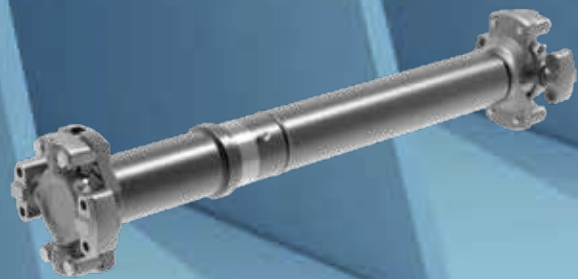
Conventional \ **Electrified**

4 WHEEL DRIVE

CENTRAL DRIVE

Drive \ Sensors

Spicer® Driveshaft 10 Series



Sensors

Drive

Platform Size	Medium	Large
Working Height [m]	9 to 12	12 to 18
Working Weight [ton]	3 to 8	8 to 12
Spicer® Driveshaft	10 Series	10 Series



RT Scissor

Articulated Boom

Telescopic Boom

Slab Scissor

Conventional \ **Electrified**

4 WHEEL DRIVE

CENTRAL DRIVE

Drive \ Sensors

Key features and benefits

- Extended Spline Life
- Reduced Thrust Load under Pressure
- Lower Friction under Load
- Superior Needle Bearing Retention
- Easy to Service Universal Joints
- Extended or Permanent Lubrication available on request

Platform Size	Medium	Large
Working Height [m]	9 to 12	12 to 18
Working Weight [ton]	3 to 8	8 to 12
Spicer® Driveshaft	10 Series	10 Series

Sensors

Drive



RT Scissor

Articulated Boom

Telescopic Boom

Slab Scissor

Conventional \ **Electrified**

4 WHEEL DRIVE

CENTRAL DRIVE

Drive \ [Sensors](#)

Brevini® electronic sensors
Digital Inclinator



Key features and benefits

- Waterproof robust plastic body
- 1 or 2 axis measurement
- Dual/redundant outputs available for PLd EN13849 safety systems
- Optional thermal compensation available

Sensors

Drive

RT Scissor

Articulated Boom

Telescopic Boom

Slab Scissor

Conventional \ **Electrified**

4 WHEEL DRIVE

CENTRAL DRIVE

Drive \ [Sensors](#)

Brevini® electronic sensors
Digital Inclinator



Key features and benefits

- Customizable signal filtration
- Customizable hardness on demand

Sensors

Drive



RT Scissor

Articulated Boom

Telescopic Boom

Slab Scissor

Conventional \ **Electrified**

4 WHEEL DRIVE

CENTRAL DRIVE

Drive \ [Sensors](#)

Brevini® electronic sensors
Load Sensor



Key features and benefits

- Waterproof robust and compact body
- Dual\Redundant output available for PLd EN13849 safety systems
- Optional thermal compensation available

Sensors

Drive



RT Scissor

Articulated Boom

Telescopic Boom

Slab Scissor

Conventional \ Electrified

⦿ 4 WHEEL DRIVE

⦿ CENTRAL DRIVE

Sensors

Drive

A hydraulic system solution for [drive](#), combined with electronic [sensors](#), for greater efficiency and performance.



RT Scissor

Articulated Boom

Telescopic Boom

Slab Scissor

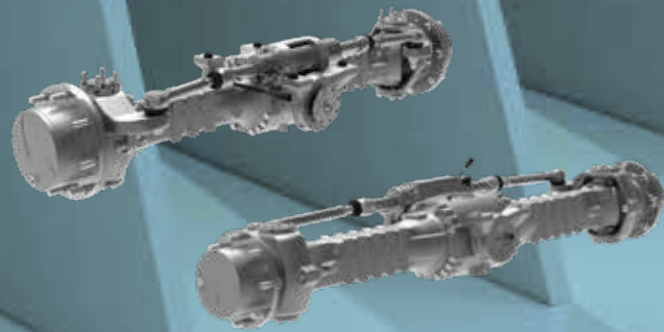
Conventional \ Electrified

4 WHEEL DRIVE

CENTRAL DRIVE

Drive \ Sensors

Spicer®
Front axle 211, 212



Sensors

Drive

Platform Size	Medium	Large
Working Height [m]	9 to 12	12 to 18
Working Weight [ton]	3 to 8	8 to 12
Spicer® Front axle	211	212



RT Scissor

Articulated Boom

Telescopic Boom

Slab Scissor

Conventional \ Electrified

4 WHEEL DRIVE

CENTRAL DRIVE

Drive \ Sensors

Key features and benefits

- Planetary steering axle
- High driveline efficiency
- Minimal impact on vehicle frame
- Easy, low-cost service, and maintenance
- Different hub reduction sizes

Platform Size	Medium	Large
Working Height [m]	9 to 12	12 to 18
Working Weight [ton]	3 to 8	8 to 12
Spicer® Front axle	211	212

Sensors

Drive



RT Scissor

Articulated Boom

Telescopic Boom

Slab Scissor

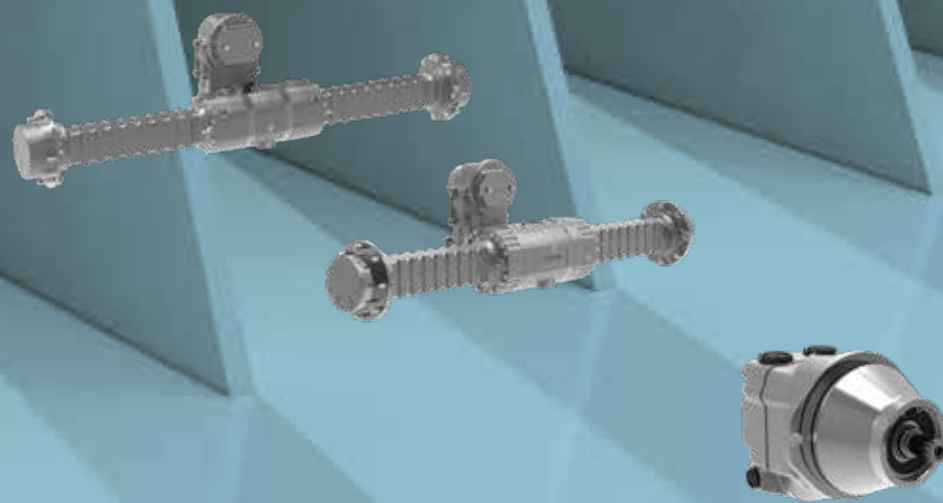
Conventional \ Electrified

4 WHEEL DRIVE

CENTRAL DRIVE

Drive \ Sensors

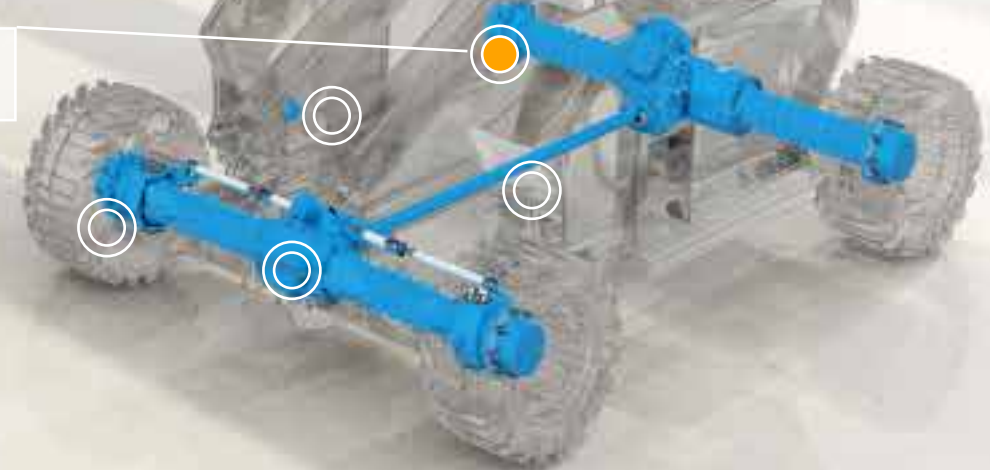
Spicer® Rear axle 111, 112 with Spicer® 301 Dropbox and Brevini® Hydraulic Motor B5VR Series



Platform Size	Medium	Large
Working Height [m]	9 to 12	12 to 18
Working Weight [ton]	3 to 8	8 to 12
Spicer® Rear axle	111	112
Dropbox	301	301
Brevini® Hydraulic Motor	B5VR38	B5VR38

Sensors

Drive



RT Scissor

Articulated Boom

Telescopic Boom

Slab Scissor

Conventional \ Electrified

4 WHEEL DRIVE

CENTRAL DRIVE

Drive \ Sensors

Key features and benefits

- Planetary rigid axles, based on modular axle, driven by hydraulic motor
- Available in a variety of configurations and ratios
- Single speed dropbox directly flanged to Spicer® axles, designed to enhance vehicle mobility and allow for quick deployment from worksite to worksite
- Optimized NVH and efficiency

Platform Size	Medium	Large
Working Height [m]	9 to 12	12 to 18
Working Weight [ton]	3 to 8	8 to 12
Spicer® Rear axle	111	112
Dropbox	301	301
Brevini® Hydraulic Motor	B5VR38	B5VR38

Sensors

Drive

RT Scissor

Articulated Boom

Telescopic Boom

Slab Scissor

Conventional \ Electrified

4 WHEEL DRIVE

CENTRAL DRIVE

Drive \ Sensors

Key features and benefits

- Four-wheel drive engagement
- Optional electromagnetic spring applied parking brake
- Integrated Brevini® Hydraulic Motor B5VR designed for maximum efficiency and smooth functioning
- Multiple displacements available
- Speed sensor with null speed signal

Platform Size	Medium	Large
Working Height [m]	9 to 12	12 to 18
Working Weight [ton]	3 to 8	8 to 12
Spicer® Rear axle	111	112
Dropbox	301	301
Brevini® Hydraulic Motor	B5VR38	B5VR38

Sensors

Drive

RT Scissor

Articulated Boom

Telescopic Boom

Slab Scissor

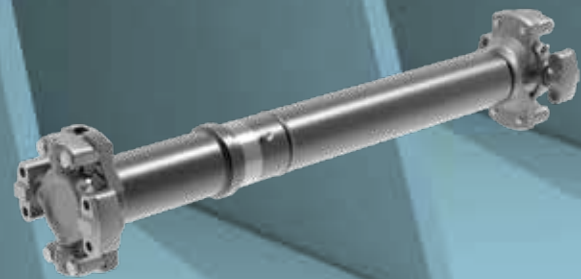
Conventional \ Electrified

4 WHEEL DRIVE

CENTRAL DRIVE

Drive \ Sensors

Spicer® Driveshaft 10 Series



Platform Size	Medium	Large
Working Height [m]	18 to 21	22 to 30
Working Weight [ton]	8 to 12	12 to 17
Spicer® Driveshaft	10 Series	10 Series

Sensors

Drive



RT Scissor

Articulated Boom

Telescopic Boom

Slab Scissor

Conventional \ Electrified

4 WHEEL DRIVE

CENTRAL DRIVE

Drive \ Sensors

Key features and benefits

- Extended Spline Life
- Reduced Thrust Load under Pressure
- Lower Friction under Load
- Superior Needle Bearing Retention
- Easy to Service Universal Joints
- Extended or Permanent Lubrication available on request

Platform Size	Medium	Large
Working Height [m]	18 to 21	22 to 30
Working Weight [ton]	8 to 12	12 to 17
Spicer® Driveshaft	10 Series	10 Series

Sensors

Drive



RT Scissor

Articulated Boom

Telescopic Boom

Slab Scissor

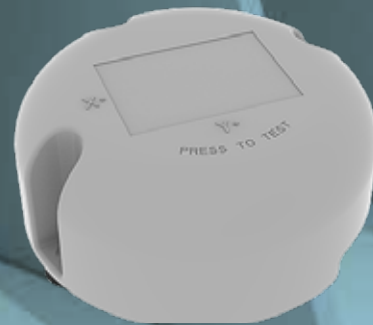
Conventional \ Electrified

4 WHEEL DRIVE

CENTRAL DRIVE

Drive \ [Sensors](#)

Brevini® electronic sensors
Digital Inclinator



Key features and benefits

- Waterproof robust plastic body
- 1 or 2 axis measurement
- Dual/redundant outputs available for PLd EN13849 safety systems
- Optional thermal compensation available

Sensors

Drive



RT Scissor

Articulated Boom

Telescopic Boom

Slab Scissor

Conventional \ Electrified

4 WHEEL DRIVE

CENTRAL DRIVE

Drive \ [Sensors](#)

Brevini® electronic sensors
Digital Inclinator



Key features and benefits

- Customizable signal filtration
- Customizable hardness on demand

Sensors

Drive



RT Scissor

Articulated Boom

Telescopic Boom

Slab Scissor

Conventional \ Electrified

4 WHEEL DRIVE

CENTRAL DRIVE

Drive \ [Sensors](#)

Brevini® electronic sensors
Load Sensor

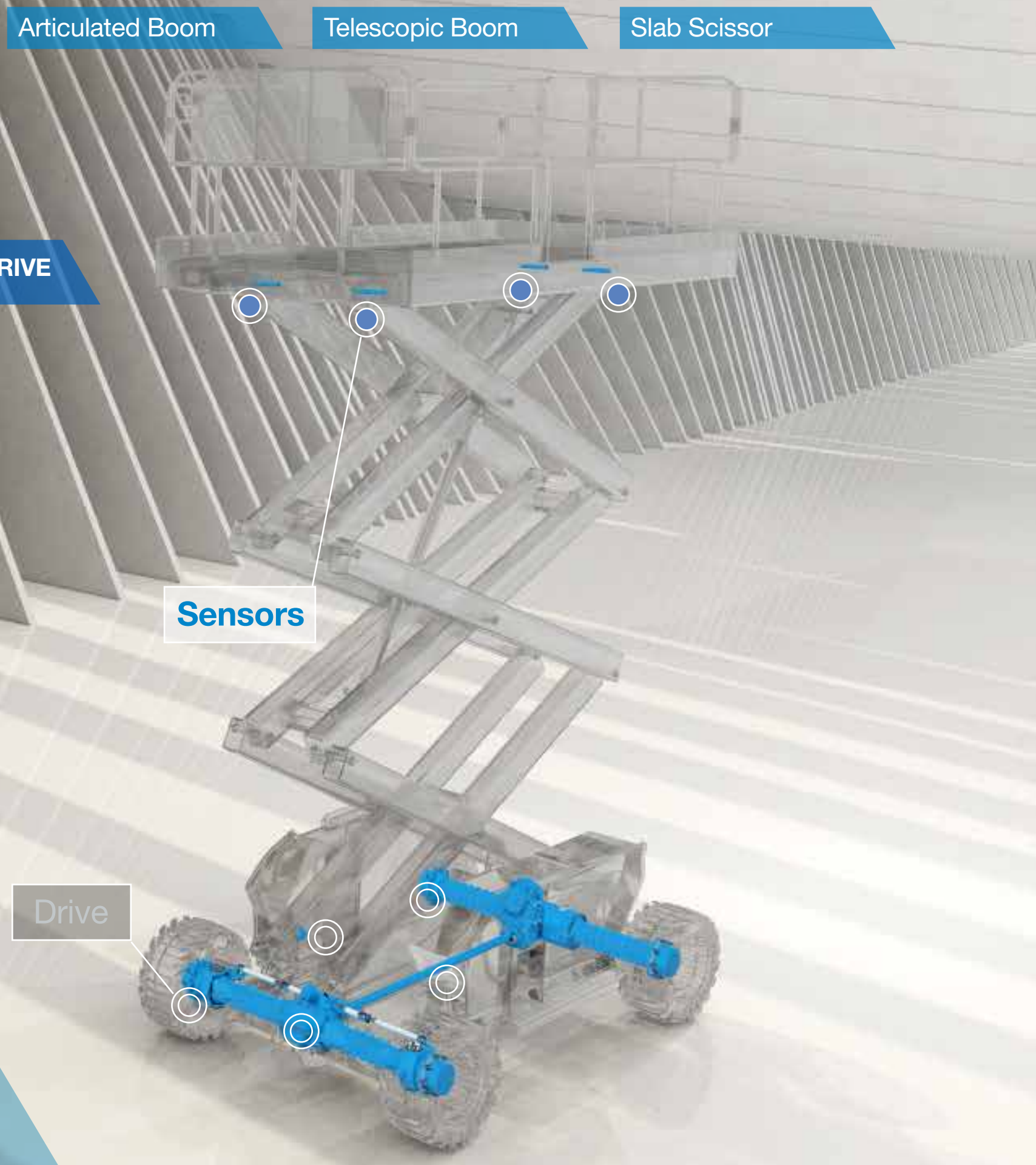


Key features and benefits

- Waterproof robust and compact body
- Dual\Redundant output available for PLd EN13849 safety systems
- Optional thermal compensation available

Sensors

Drive



Slab Scissor

Electrified

2 WHEEL DRIVE

Articulated Boom

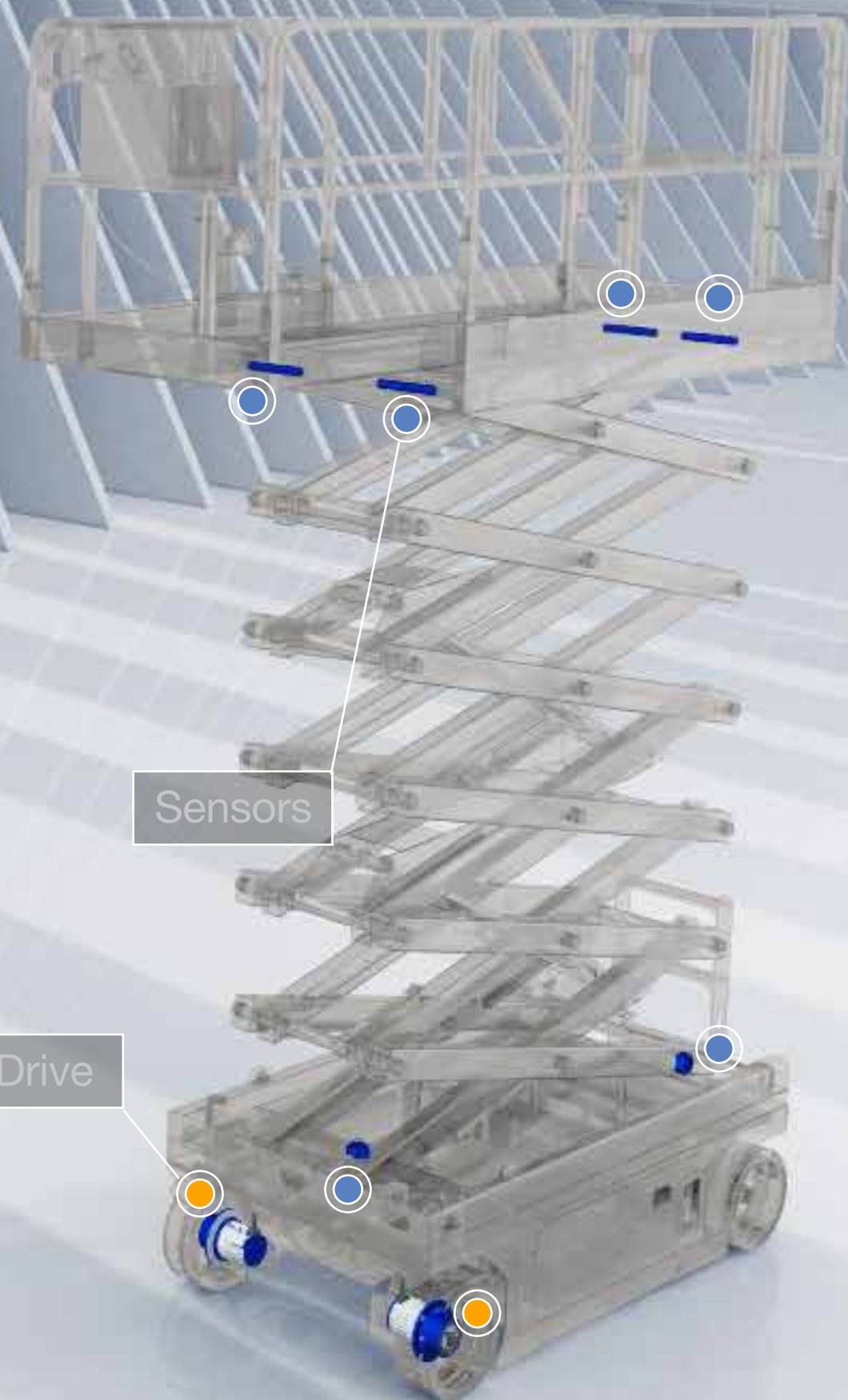
Telescopic Boom

RT Scissor

An electro-mechanical system solution for [drive](#), with electronic [sensors](#), for greater efficiency with less size and weight and long-life performance.

Drive

Sensors



Slab Scissor

Articulated Boom

Telescopic Boom

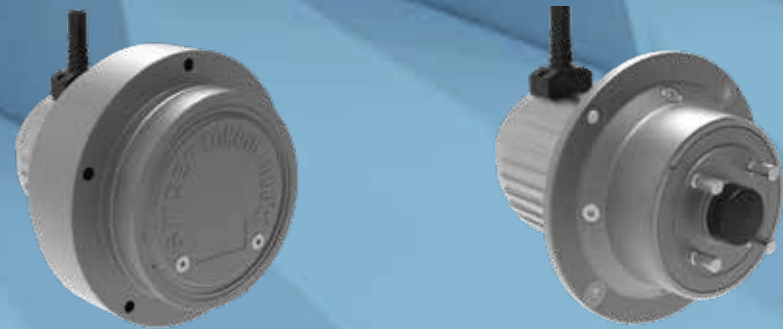
RT Scissor

Electrified

2 WHEEL DRIVE

Drive \ Sensors

Spicer Electrified™
e-Drive Spindle
and Hub output

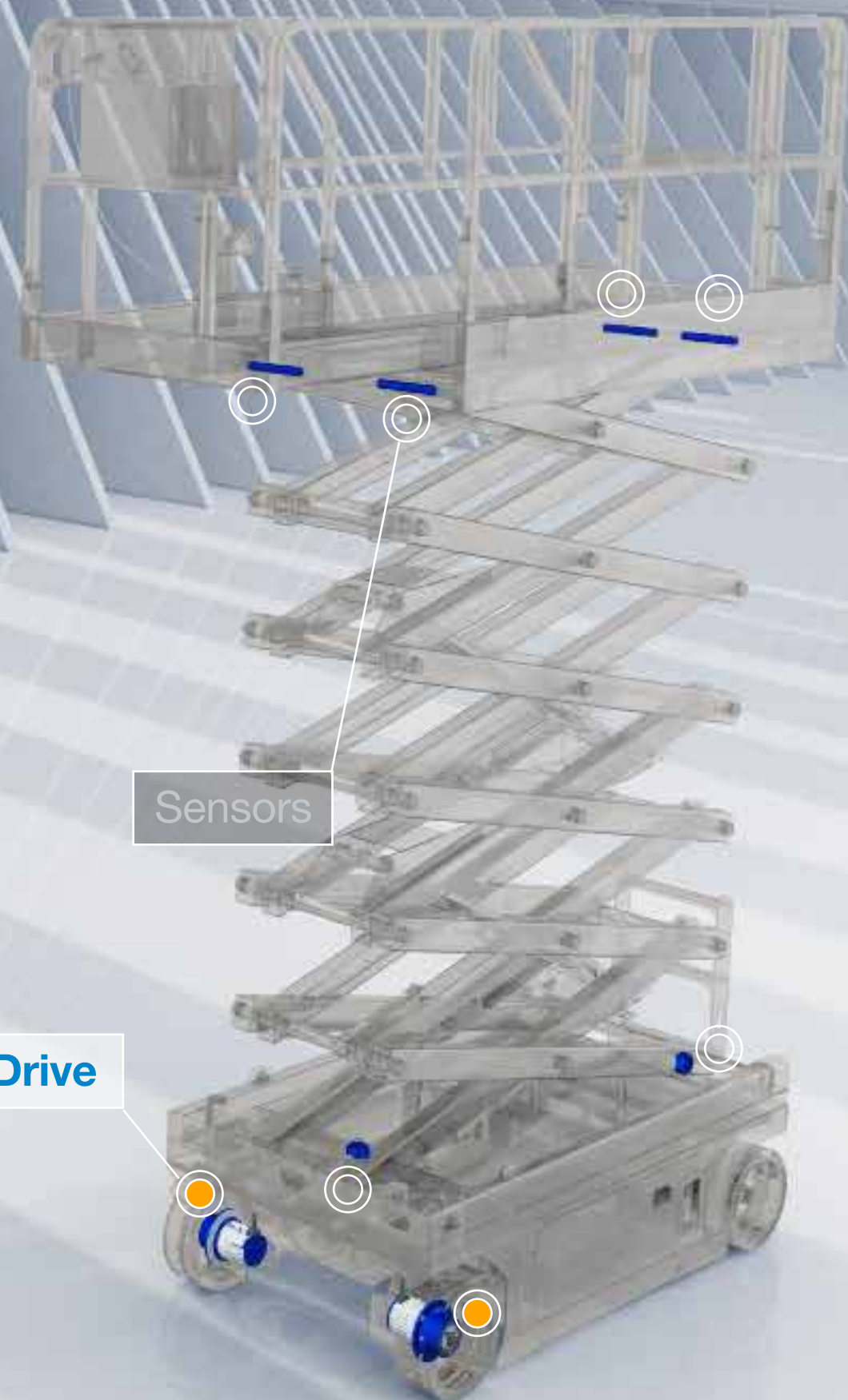


Platform Size	Micro	Small	Medium	Large
Working Height [m]	< 5	5 to 6	6 to 10	10 to 15
Working Weight [ton]	< 1,5	1,5	1,5 to 3	3 to 8
e-Drive Torque Hub	eS10S	eS10S	eS10H	eS10H
Dana TM4™	125 Series AC Induction	125 Series AC Induction	125 Series AC Induction	125 Series AC Induction
	120 Series IPM	120 Series IPM	120 Series IPM	120 Series IPM



Drive

Sensors



Slab Scissor

Articulated Boom

Telescopic Boom

RT Scissor

Electrified

2 WHEEL DRIVE

Drive \ Sensors

Key features and benefits

- 2 sizes with torque output of 1 kNm engineered to fulfill industry targets for performance, serviceability and durability
- Specifically designed for electrically driven high-efficiency Scissor MEWPs
- Fully integrated electro-mechanical system for scissor lifts

Platform Size	Micro	Small	Medium	Large
Working Height [m]	< 5	5 to 6	6 to 10	10 to 15
Working Weight [ton]	< 1,5	1,5	1,5 to 3	3 to 8
e-Drive Torque Hub	eS10S	eS10S	eS10H	eS10H
Dana TM4™	125 Series AC Induction	125 Series AC Induction	125 Series AC Induction	125 Series AC Induction
	120 Series IPM	120 Series IPM	120 Series IPM	120 Series IPM

Drive

Sensors



Slab Scissor

Articulated Boom

Telescopic Boom

RT Scissor

Electrified

2 WHEEL DRIVE

Drive \ Sensors

Key features and benefits

- Dana TM4™ IPM and ACIM Integrated advanced motor technologies for greater efficiency with compact size and weight
- Internal integrated electric parking brake design for maximum holding power
- IP67 motor protection from environmental hazards

Platform Size	Micro	Small	Medium	Large
Working Height [m]	< 5	5 to 6	6 to 10	10 to 15
Working Weight [ton]	< 1,5	1,5	1,5 to 3	3 to 8
e-Drive Torque Hub	eS10S	eS10S	eS10H	eS10H
Dana TM4™	125 Series AC Induction	125 Series AC Induction	125 Series AC Induction	125 Series AC Induction
	120 Series IPM	120 Series IPM	120 Series IPM	120 Series IPM

Drive

Sensors



Slab Scissor

Articulated Boom

Telescopic Boom

RT Scissor

Electrified

2 WHEEL DRIVE

[Drive](#) \ [Sensors](#)

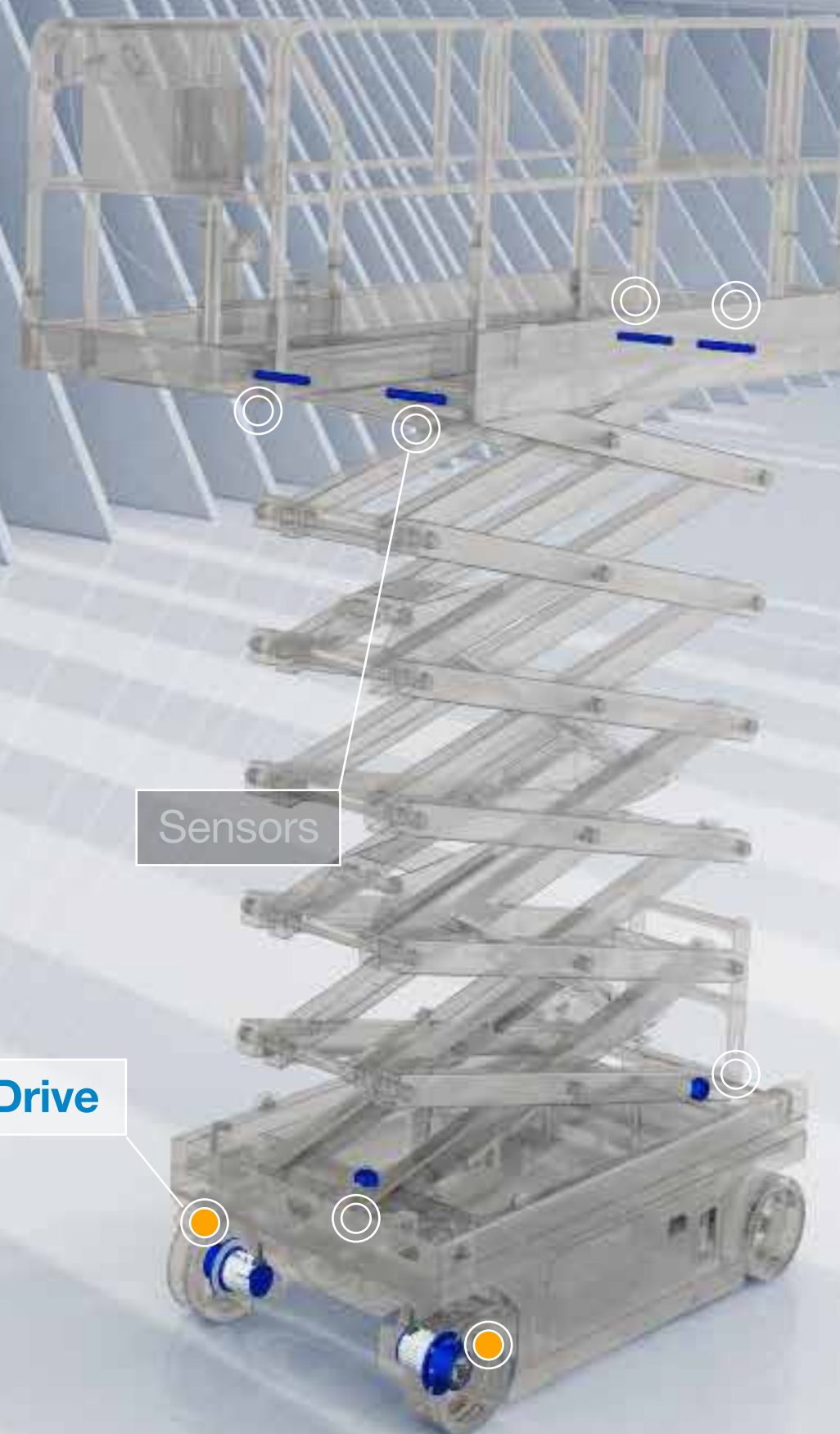
Key features and benefits

- Integrated motor options for design flexibility
- Compact design that enables exceptional design flexibility and weight

Platform Size	Micro	Small	Medium	Large
Working Height [m]	< 5	5 to 6	6 to 10	10 to 15
Working Weight [ton]	< 1,5	1,5	1,5 to 3	3 to 8
e-Drive Torque Hub	eS10S	eS10S	eS10H	eS10H
Dana TM4™	125 Series AC	125 Series AC	125 Series AC	125 Series AC
	Induction	Induction	Induction	Induction
	120 Series IPM	120 Series IPM	120 Series IPM	120 Series IPM

Drive

Sensors



Slab Scissor

Articulated Boom

Telescopic Boom

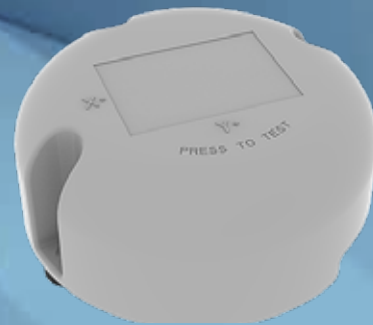
RT Scissor

Electrified

2 WHEEL DRIVE

Drive \ [Sensors](#)

Brevini® electronic sensors
Digital Inclinomometer



Key features and benefits

- Waterproof robust plastic body
- 1 or 2 axis measurement
- Dual\redundant outputs available for PLd EN13849 safety systems
- Optional thermal compensation available



Sensors

Drive

Slab Scissor

Articulated Boom

Telescopic Boom

RT Scissor

Electrified

2 WHEEL DRIVE

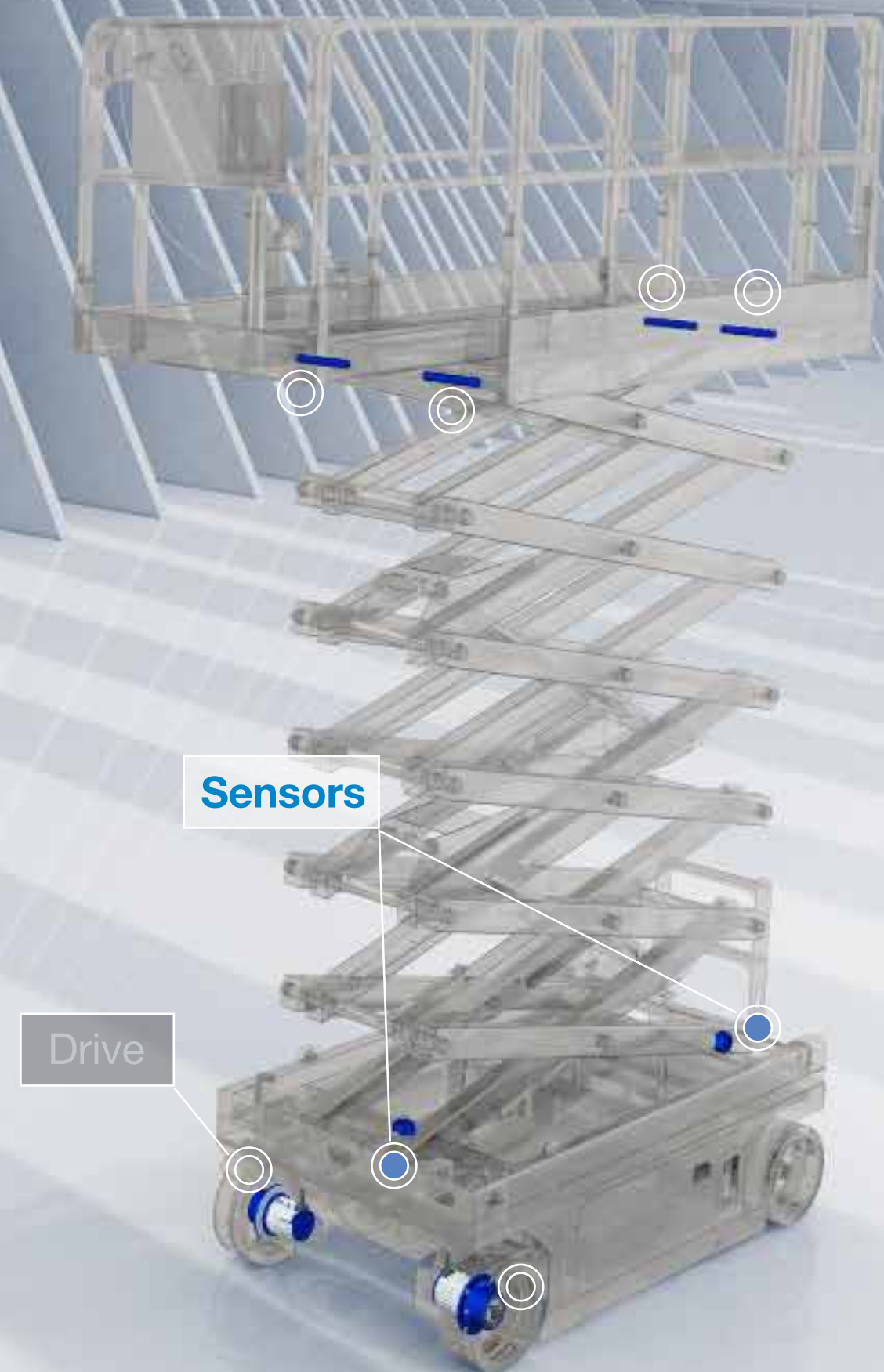
Drive \ [Sensors](#)

Brevini® electronic sensors
Digital Inclinator



Key features and benefits

- Customizable signal filtration
- Customizable hardness on demand



Slab Scissor

Electrified

2 WHEEL DRIVE

Drive \ [Sensors](#)

Brevini® electronic sensors
Load Sensor



Key features and benefits

- Waterproof robust and compact body
- Dual\Redundant output available for PLd EN13849 safety systems
- Optional thermal compensation available

Articulated Boom

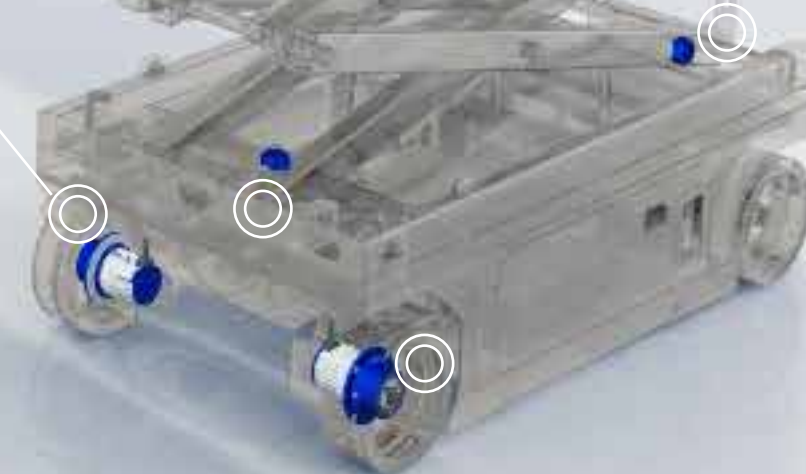
Telescopic Boom

RT Scissor



Sensors

Drive



A complete range of best-in-class drive and motion products for Mobile Elevated Work Platforms

[Dana.com/oh](https://dana.com/oh)

Application Policy
Capacity ratings, features, and specifications vary depending upon the model and type of service. Application approvals must be obtained from Dana; contact your representative for application approval. We reserve the right to change or modify our product specifications, configurations, or dimensions at any time without notice.

© 2022 Dana Limited. All rights reserved. DOHCORP01-2022





Expertise, global reach, and systems know-how support each manufacturer's needs worldwide with dedicated and customized solutions

Dana.com/oh

Application Policy
Capacity ratings, features, and specifications vary depending upon the model and type of service. Application approvals must be obtained from Dana; contact your representative for application approval. We reserve the right to change or modify our product specifications, configurations, or dimensions at any time without notice.

© 2022 Dana Limited. All rights reserved. DOHCORP01-2022



Dana is the unique solution partner for MEWP



[Dana.com/oh](https://www.dana.com/oh)

Application Policy
Capacity ratings, features, and specifications vary depending upon the model and type of service. Application approvals must be obtained from Dana; contact your representative for application approval. We reserve the right to change or modify our product specifications, configurations, or dimensions at any time without notice.

© 2022 Dana Limited. All rights reserved. DOHCORP01-2022





People Finding A Better Way[®]



[Dana.com/oh](https://www.dana.com/oh)

Application Policy
Capacity ratings, features, and specifications vary depending upon the model and type of service. Application approvals must be obtained from Dana; contact your representative for application approval. We reserve the right to change or modify our product specifications, configurations, or dimensions at any time without notice.

© 2022 Dana Limited. All rights reserved. DOHCORP01-2022

