

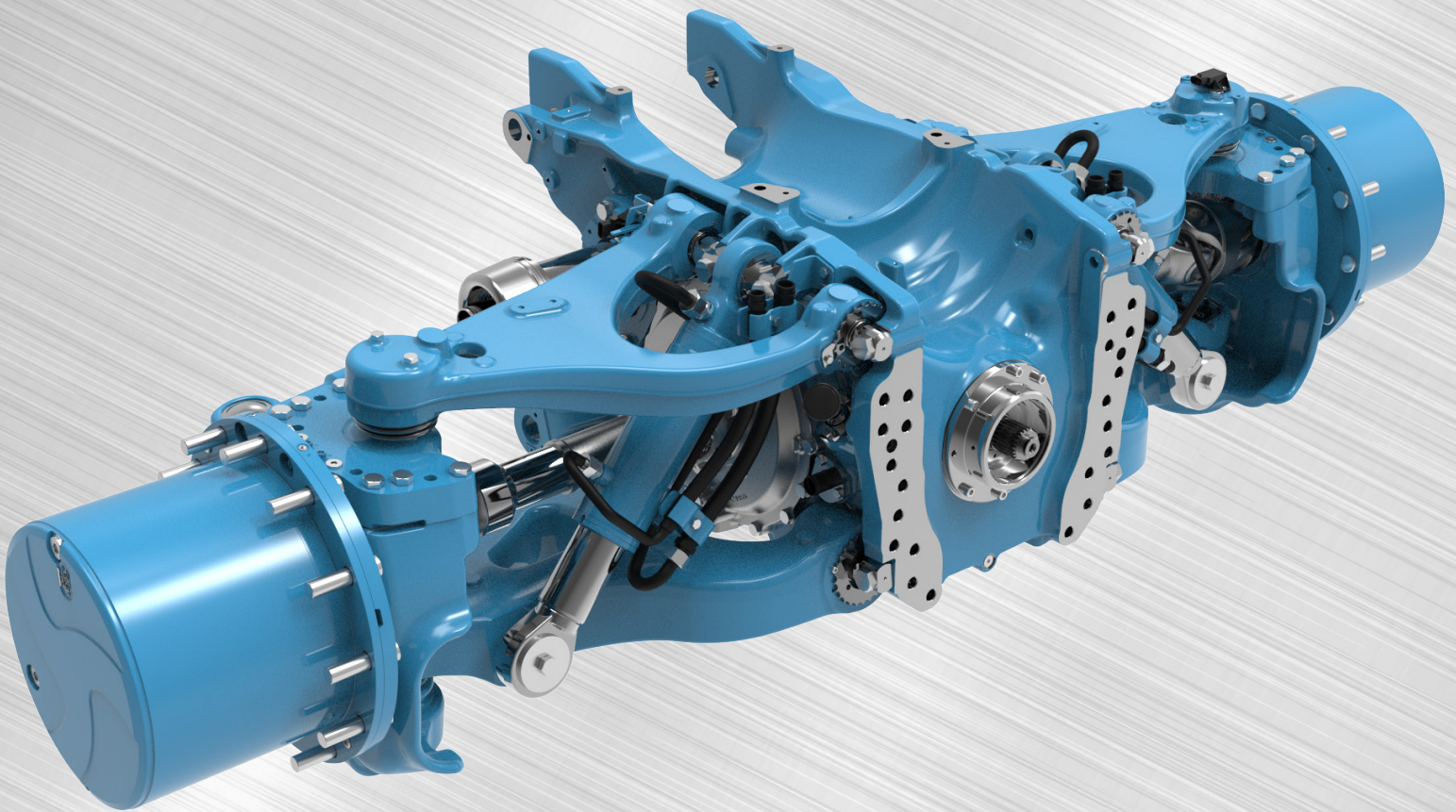


SPICER®

Drivetrain Systems

Spicer® 980

Independent Front Suspension Axle



Engineered to **improve vehicle control, operator comfort, traction, and handling characteristics** for **safer operation.**

Spicer® 980

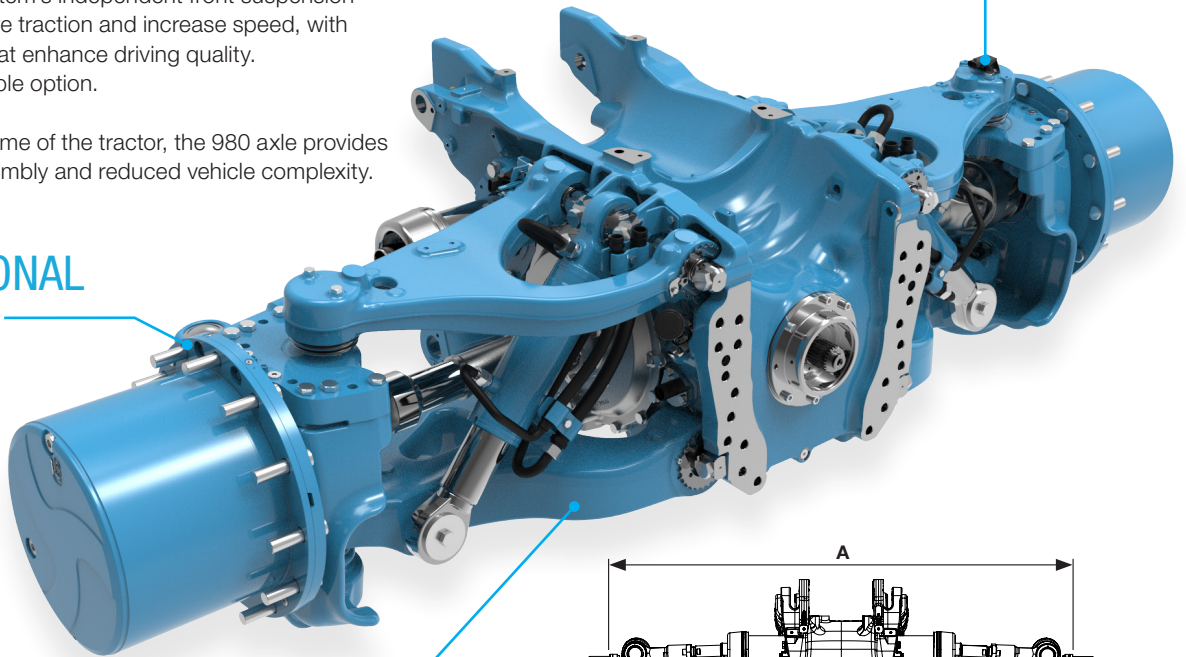
Independent Front Suspension Axle

For open field tractors up to 295 kW (396 hp), the Spicer 980 axle offers high power and torque to improve both productivity and comfort. The system's independent front suspension is designed to improve traction and increase speed, with integrated sensors that enhance driving quality. CTIS feature is available option.

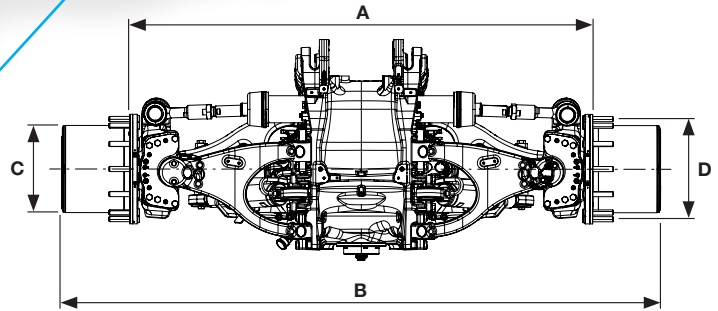
Integrated into the frame of the tractor, the 980 axle provides OEMs with easy assembly and reduced vehicle complexity.

**INTEGRATED SENSORS
FOR IMPROVED
DRIVE QUALITY**

**CTIS OPTIONAL
AVAILABLE**



**INDEPENDENT SUSPENSION
FOR ENHANCED PRODUCTIVITY
AND COMFORT**



Technical Data		Installation Dimensions (mm)	
Planetary Reduction Ratio	7,07:1	A – Flange to Flange	1966
Bevel Set Ratios	2,066:1 (EU); 2:1 (NA)	B – Planetary Hub Length	2538 (CTIS); 2370 (NO CTIS)
Overall Ratio	14,61:1 (EU); 14,14:1 (NA)	C – Wheel Pilot Diameter	370
Maximum Output Torque (daNm)	64600	D – Wheel Bolt Circle Diameter	425
Load Capacity (daN); Static	9500		
Load Capacity (daN); Dynamic	8500		

Design Features	
Axle Mounting	Integrated into vehicle frame
Bevel Gear	Spiral bevel gear - Gleason cut
Input Flange Options	50 x 2 x 30 DIN 5480
Double Reduction	3 ground planets
Service Brakes	Wet discs with pneumatic actuation
Differential Options	100% differential lock
Steering Angle	40°

Dana.com/oh/contact

Application Policy
Capacity ratings, features, and specifications vary depending upon the model and type of service. Application approvals must be obtained from Dana; contact your representative for application approval. We reserve the right to change or modify our product specifications, configurations, or dimensions at any time without notice.



SPICER®

Drivetrain Systems